



1SS355

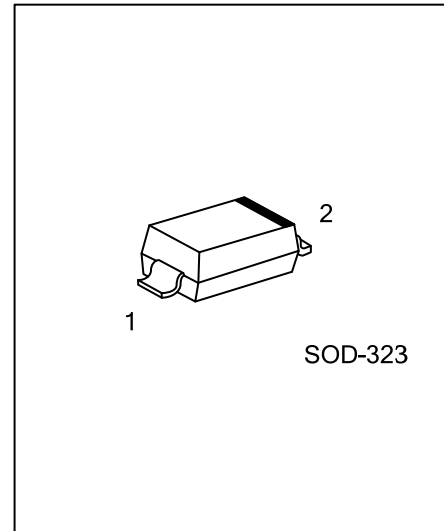
DIODE

SWITCHING DIODE

DESCRIPTION

The UTC **1SS355** is a switching diode, it uses UTC's advanced technology to provide the customers with high reliability and ultra small mold type, etc.

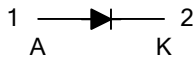
The UTC **1SS355** is suitable for high speed switching applications, etc.



FEATURES

- * High reliability
- * Ultra small mold type

SYMBOL



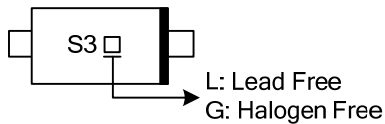
ORDERING INFORMATION

Ordering Number		Package	Pin Assignment		Packing
Lead Free	Halogen Free		1	2	
1SS355L-CB2-R	1SS355G-CB2-R	SOD-323	A	K	Tape Reel

Note: Pin Assignment: A: Anode, K: Cathode

<p>1SS355L-CB2-R</p> <p>(1)Packing Type (2)Package Type (3)Lead Free</p>	<p>(1) R: Tape Reel (2) CB2 : SOD-323 (3) L: Lead Free, G: Halogen Free</p>
--	---

MARKING



■ ABSOLUTE MAXIMUM RATINGS ($T_A=25^\circ\text{C}$)

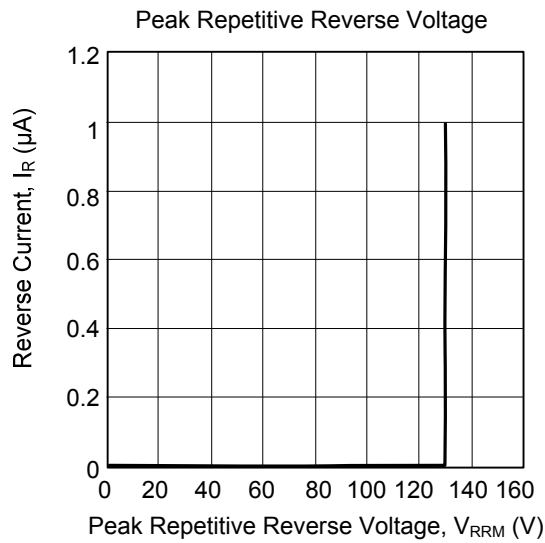
PARAMETER	SYMBOL	RATINGS	UNIT
Reverse Voltage (Repetitive Peak)	V_{RM}	90	V
Reverse Voltage (DC)	V_R	80	V
Forward Current	I_{FM}	225	mA
Average Rectified Forward Current	I_O	100	mA
Surge Current (t=1s)	I_{surge}	500	mA
Junction Temperature	T_J	150	$^\circ\text{C}$
Storage Temperature	T_{STG}	-55~+150	$^\circ\text{C}$

Note: Absolute maximum ratings are those values beyond which the device could be permanently damaged.
Absolute maximum ratings are stress ratings only and functional device operation is not implied.

■ ELECTRICAL CHARACTERISTICS ($T_A=25^\circ\text{C}$)

PARAMETER	SYMBOL	TEST CONDITIONS	MIN	TYP	MAX	UNIT
Forward Voltage	V_F	$I_F=100\text{mA}$			1.2	V
Reverse Current	I_R	$V_R=80\text{V}$			0.1	μA
Capacitance Between Terminals	C_T	$V_R=0.5\text{V}$, $f=1\text{MHz}$			3	pF
Reverse Recovery Time	t_{rr}	$V_R=6\text{V}$, $I_F=10\text{mA}$, $R_L=100\Omega$			4	ns

■ TYPICAL CHARACTERISTICS



UTC assumes no responsibility for equipment failures that result from using products at values that exceed, even momentarily, rated values (such as maximum ratings, operating condition ranges, or other parameters) listed in products specifications of any and all UTC products described or contained herein. UTC products are not designed for use in life support appliances, devices or systems where malfunction of these products can be reasonably expected to result in personal injury. Reproduction in whole or in part is prohibited without the prior written consent of the copyright owner. The information presented in this document does not form part of any quotation or contract, is believed to be accurate and reliable and may be changed without notice.