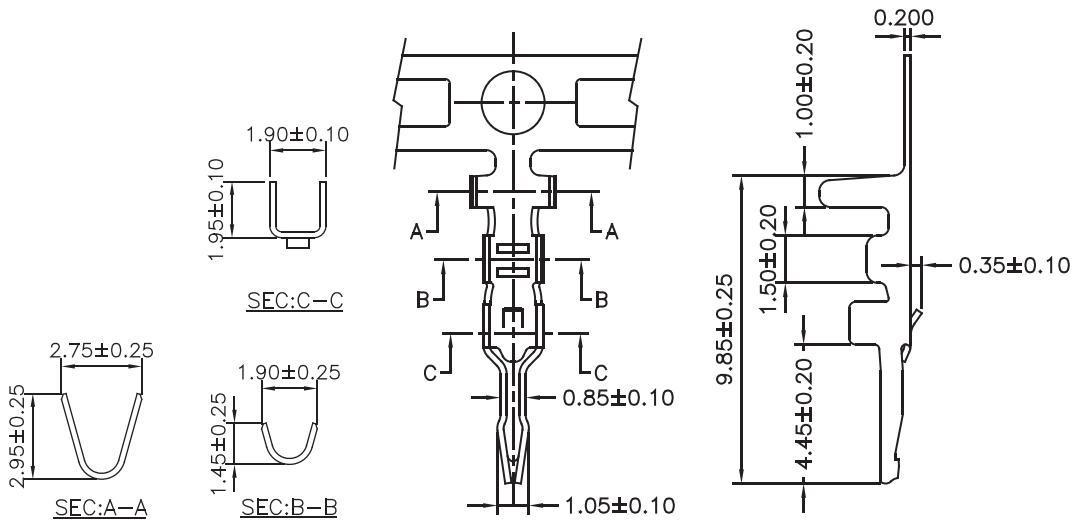




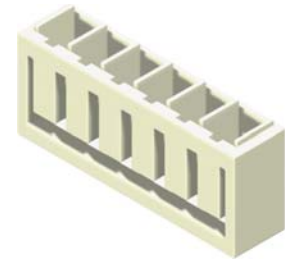
2.5mm Terminal / Housing

Specifications
 Current Rating: 3A AC,DC
 Voltage Rating: 250V AC,DC
 Temperature Range: -25°C to +85°C
 Contact Resistance: 10mΩ Max
 Insulation Resistance: 1000MΩ Min
 Withstanding Voltage: 800V AC/minute
 Material: Nylon 66, UL94V-0

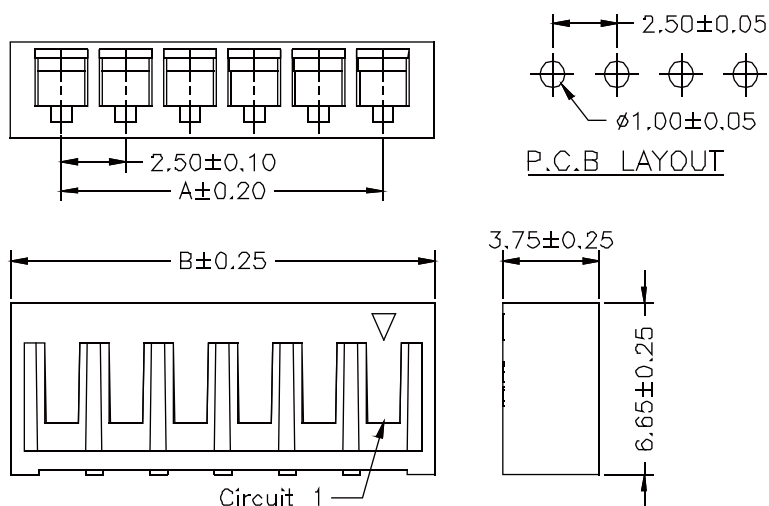


Wire Range	Insulation O.D.	Material	Finish
#22-#28	1.70mm(Max)	Brass	Tin Plated

Part No.:2501-T-L



No. of Contacts	Dimensions	
	A	B
2	2.50	6.50
3	5.00	9.00
4	7.50	11.50
5	10.00	14.00
6	12.50	16.50
7	15.00	19.00
8	17.50	21.50
9	20.00	24.00
10	22.50	26.50
11	25.00	29.00
12	27.50	31.50
13	30.00	34.00
14	32.50	36.50
15	35.00	39.00
16	37.50	41.50



Part No.:2501H-XXW-L

Housing Wafer Terminal



ROHS