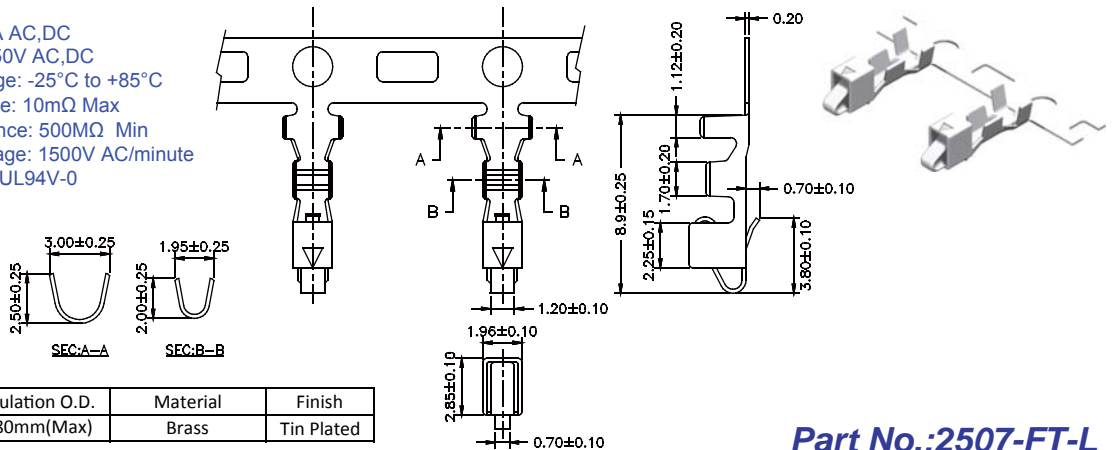




## 2.5mm Female & Male Terminal / Female & Male Housing

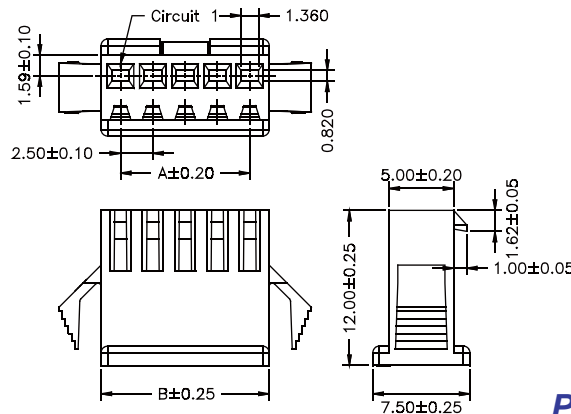
Specifications  
 Current Rating: 3A AC,DC  
 Voltage Rating: 250V AC,DC  
 Temperature Range: -25°C to +85°C  
 Contact Resistance: 10mΩ Max  
 Insulation Resistance: 500MΩ Min  
 Withstanding Voltage: 1500V AC/minute  
 Material: Nylon 66,UL94V-0



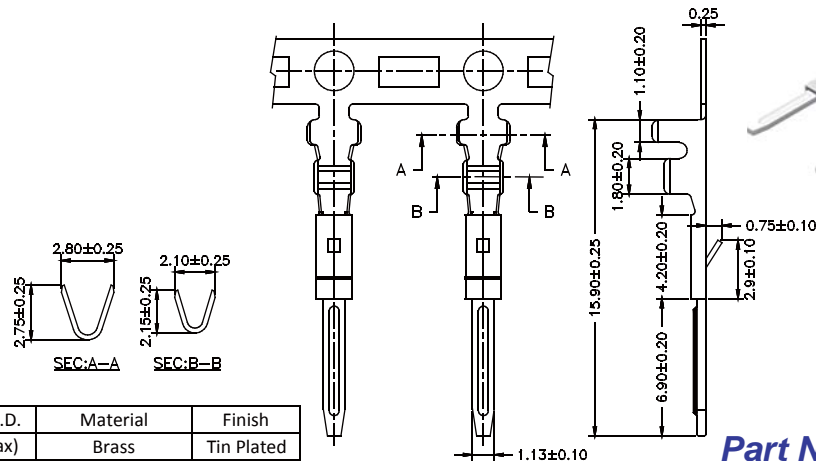
Wire Range	Insulation O.D.	Material	Finish
#22-#28	1.80mm(Max)	Brass	Tin Plated

Part No.:2507-FT-L

No. of Contacts	Dimensions	
	A	B
2	2.50	5.50
3	5.00	8.00
4	7.50	10.50
5	10.00	13.00
6	12.50	15.50
7	15.00	18.00
8	17.50	20.50
9	20.00	23.00
10	22.50	25.50
11	25.00	28.00
12	27.50	30.50



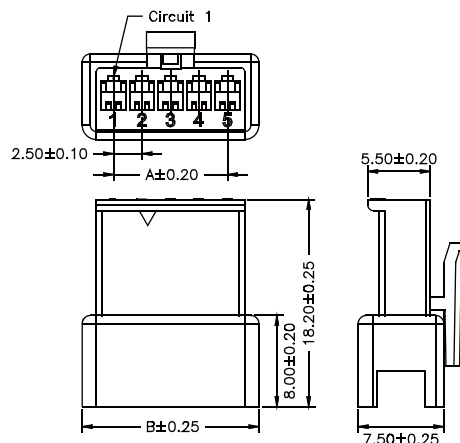
Part No.:2507H-FXXB-L



Wire Range	Insulation O.D.	Material	Finish
#22-#28	1.80mm(Max)	Brass	Tin Plated

Part No.:2507-MT-L

No. of Contacts	Dimensions	
	A	B
2	2.50	8.00
3	5.00	10.50
4	7.50	13.00
5	10.00	15.50
6	12.50	18.00
7	15.00	20.50
8	17.50	23.00
9	20.00	25.50
10	22.50	28.00
11	25.00	30.50
12	27.50	33.00



Part No.:2507H-MXXB-L

Housing Wafer Terminal



ROHS