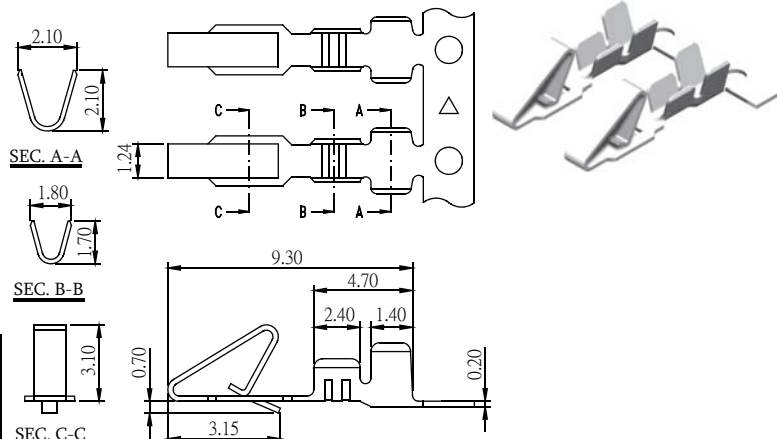


## 2.5mm Terminal / Housing / Wafer R/A / Straight Type

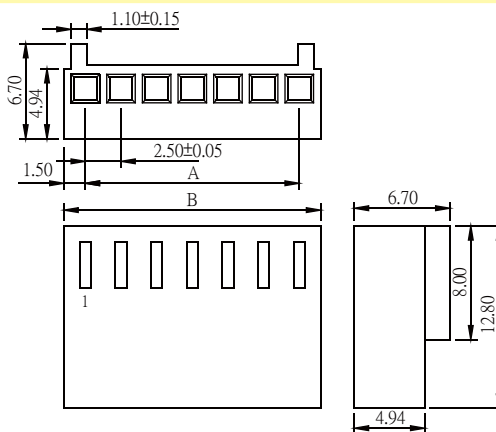
Specifications  
 Current Rating: 3A AC,DC  
 Voltage Rating: 250V AC,DC  
 Temperature Range: -40°C to +105°C  
 Contact Resistance: 20mΩ Max  
 Insulation Resistance: 1000MΩ Min  
 Withstanding Voltage: 1500V AC/minute  
 Terminal: Brass / Tin Plated  
 Material: Housing: Nylon 66, UL94V-0  
 Wafer: P.B.T, UL94V-0



Part No.	Wire Range	Material	Finish
2510-TTB-L	#22-#28	Brass	Tin Plated
2510-TTP-L		Phosphor Bronze	Tin Plated
2510-GTB-L		Brass	Gold Plated
2510-GTP-L		Phosphor Bronze	Gold Plated

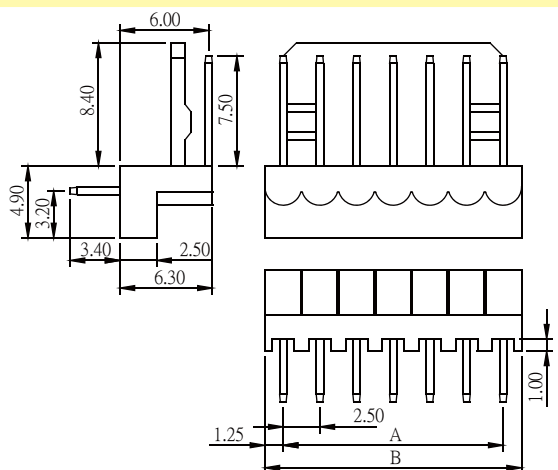
Part No.:2510-T-L

No. of Contacts	Dimensions		No. of Contacts	Dimensions	
	A	B		A	B
2	2.50	5.50	12	27.50	30.50
3	5.00	8.00	13	30.00	33.00
4	7.50	10.50	14	32.50	35.50
5	10.00	13.00	15	35.00	38.00
6	12.50	15.50	16	37.50	40.50
7	15.00	18.00	17	40.00	43.00
8	17.50	20.50	18	42.50	45.50
9	20.00	23.00	19	45.00	48.00
10	22.50	25.50	20	47.50	50.50
11	25.00	28.00			



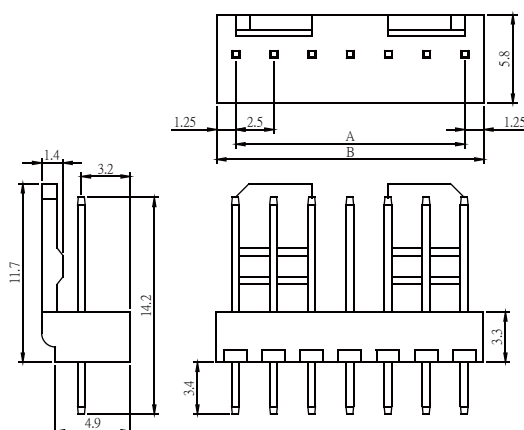
Part No.:2510H-XXW-L

No. of Contacts	Dimensions	
	A	B
2	2.50	5.00
3	5.00	7.50
4	7.50	10.00
5	10.00	12.50
6	12.50	15.00
7	15.00	17.50
8	17.50	20.00
9	20.00	22.50
10	22.50	25.00
11	25.00	27.50
12	27.50	30.00
13	30.00	32.50
14	32.50	35.00
15	35.00	37.50
16	37.50	40.00
17	40.00	42.50
18	42.50	45.00
19	45.00	47.50
20	47.50	50.00



P.C.B. Layout

Part No.:2510R-XXTW-L



P.C.B. Layout

Part No.:2510S-XXTW-L