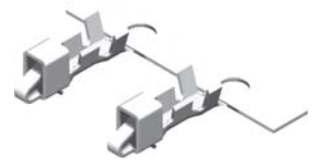
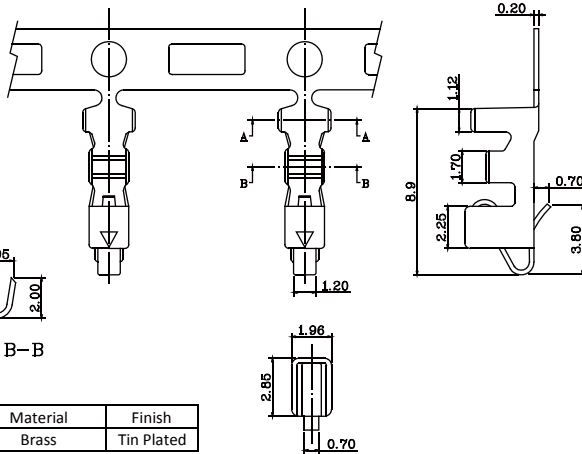
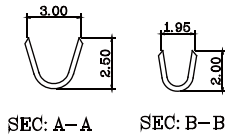




2.5mm Terminal / Housing / Wafer Right Angle & Straight Type

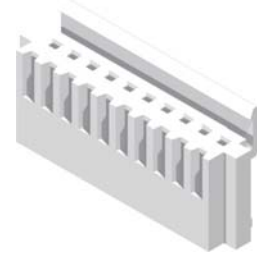
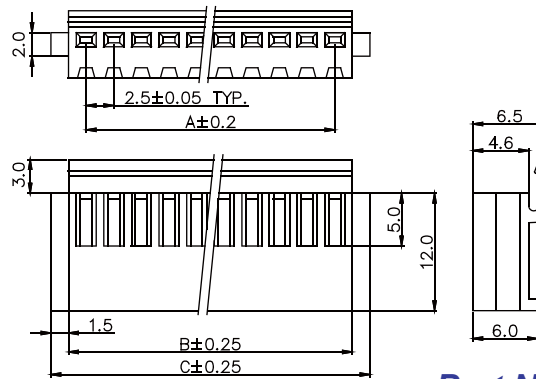
Specifications
 Current Rating: 3A AC,DC
 Voltage Rating: 250V AC,DC
 Temperature Range: -25°C to +85°C
 Contact Resistance: 20mΩ Max
 Insulation Resistance: 500MΩ Min
 Withstanding Voltage: 1500V AC/minute
 Terminal: Brass / Tin Plated
 Material: Nylon 66, UL94V-0



Part No.	Wire Range	Insulation O.D.	Material	Finish
2515-T-L	#22-#28	1.6~1.2mm(Max)	Brass	Tin Plated

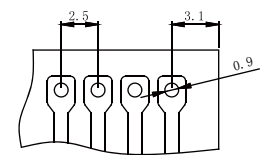
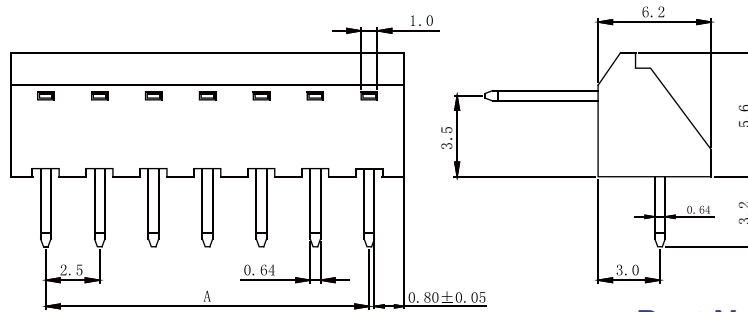
Part No.:2515-T-L

No. of Contacts	Dimensions			No. of Contacts	Dimensions		
	A	B	C		A	B	C
2	2.50	5.70	8.70	12	27.50	30.70	33.70
3	5.00	8.20	11.20	13	30.00	33.20	36.20
4	7.50	10.70	13.70	14	32.50	35.70	38.70
5	10.00	13.20	16.20	15	35.00	38.20	41.20
6	12.50	15.70	18.70	16	37.50	40.70	43.70
7	15.00	18.20	21.20	17	40.00	43.20	46.20
8	17.50	20.70	23.70	18	42.50	45.70	48.70
9	20.00	23.20	26.20	19	45.00	48.20	51.20
10	22.50	25.70	28.70	20	47.50	50.70	53.70
11	25.00	28.20	31.20				

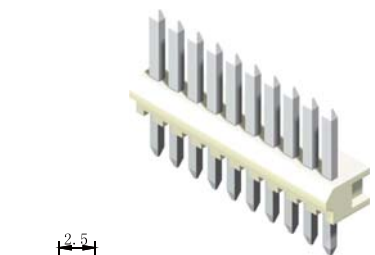
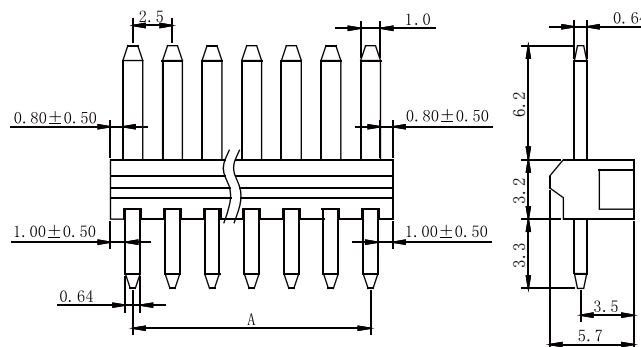


Part No.:2515H-XXW-L

No. of Contacts	Dimensions
	A
2	2.50
3	5.00
4	7.50
5	10.00
6	12.50
7	15.00
8	17.50
9	20.00
10	22.50
11	25.00
12	27.50
13	30.00
14	32.50
15	35.00
16	37.50
17	40.00
18	42.50
19	45.00
20	47.50



Part No.:2515R-XXTW-L



P.C.B Layout

Part No.:2515S-XXTW-L

Housing Wafer Terminal



ROHS

CONNECTOR MANUFACTURER