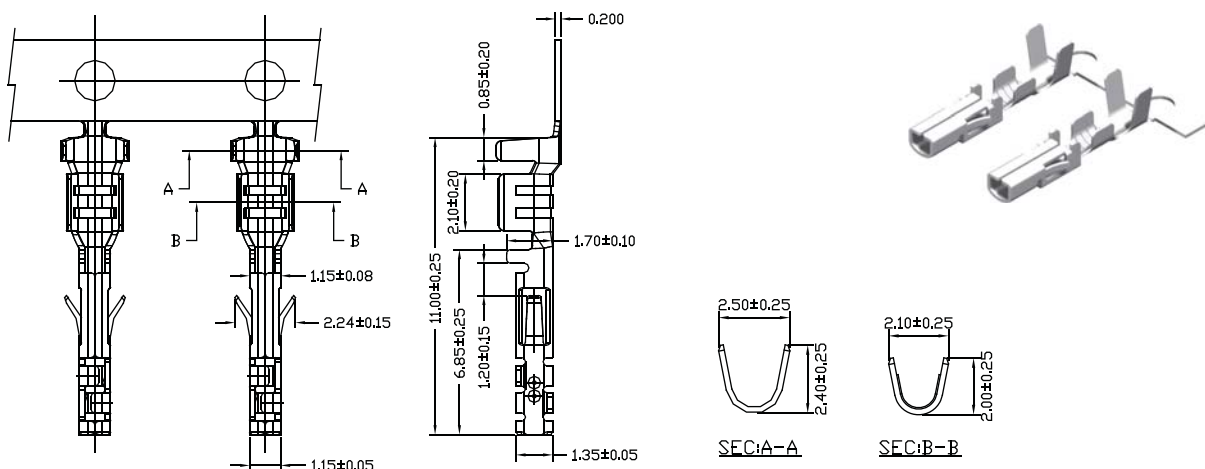


3.0mm Female Terminal / Male Housing



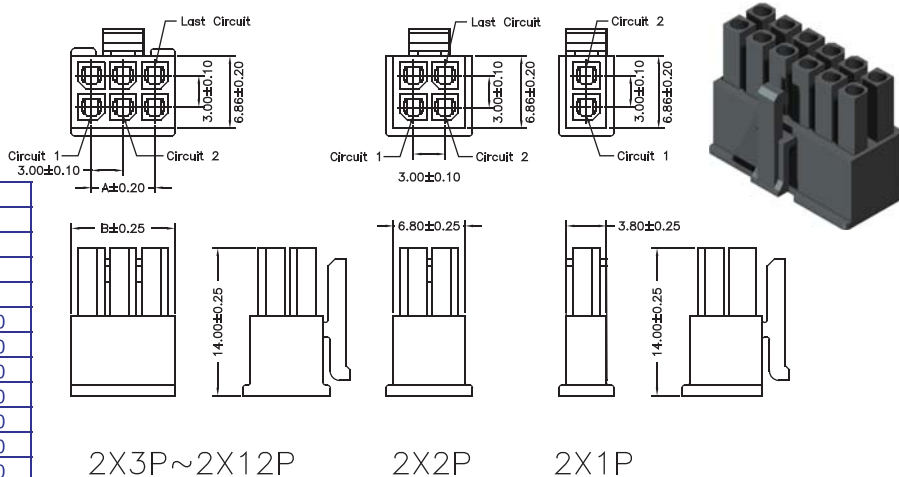
Wire Range	Insulation O.D.	Material	Finish
AWG#20-#24	1.85mm(max)	Phosphor Bronze	Tin Plated

Part No.:3000-FT-L

Specifications

Current Rating: 5A AC,DC
 Voltage Rating: 250V AC,DC
 Temperature Range: -25°C to +85°C
 Contact Resistance: 10mΩ Max
 Insulation Resistance: 1000MΩ Min
 Withstanding Voltage: 1500V AC/minute
 Material: Nylon 66,UL94V-2

Part No.	Dimensions	
	A	B
3000H-M201B-L	—	3.80
3000H-M202B-L	3.00	6.80
3000H-M203B-L	6.00	9.80
3000H-M204B-L	9.00	12.80
3000H-M205B-L	12.00	15.80
3000H-M206B-L	15.00	18.80
3000H-M207B-L	18.00	21.80
3000H-M208B-L	21.00	24.80
3000H-M209B-L	24.00	27.80
3000H-M210B-L	27.00	30.80
3000H-M211B-L	30.00	33.80
3000H-M212B-L	33.00	36.80

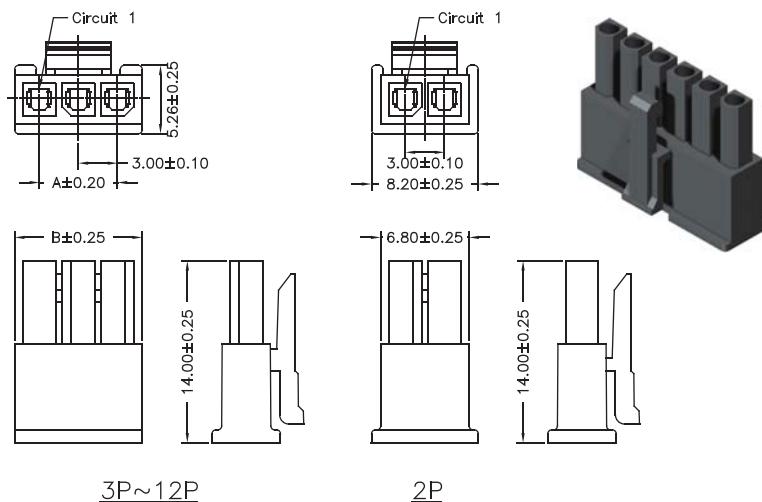


Part No.:3000H-M2XXB-L

Specifications

Current Rating: 5A AC,DC
 Voltage Rating: 250V AC,DC
 Temperature Range: -25°C to +85°C
 Contact Resistance: 10mΩ Max
 Insulation Resistance: 1000MΩ Min
 Withstanding Voltage: 1500V AC/minute
 Material: Nylon 66,UL94V-2

Part No.	Dimensions	
	A	B
3000H-M102B-L	3.00	6.80
3000H-M103B-L	6.00	9.80
3000H-M104B-L	9.00	12.80
3000H-M105B-L	12.00	15.80
3000H-M106B-L	15.00	18.80
3000H-M107B-L	18.00	21.80
3000H-M108B-L	21.00	24.80
3000H-M109B-L	24.00	27.80
3000H-M110B-L	27.00	30.80
3000H-M111B-L	30.00	33.80
3000H-M112B-L	33.00	36.80



Part No.:3000H-M1XXB-L