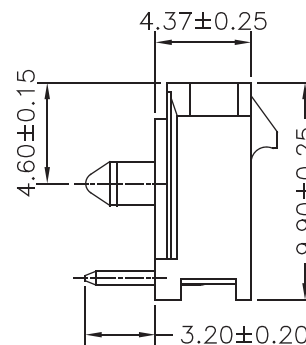
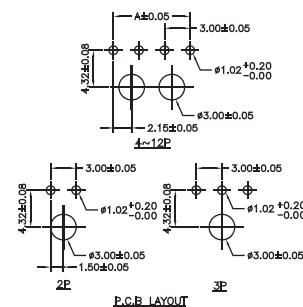
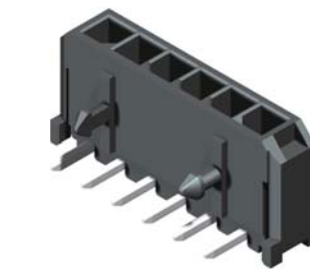
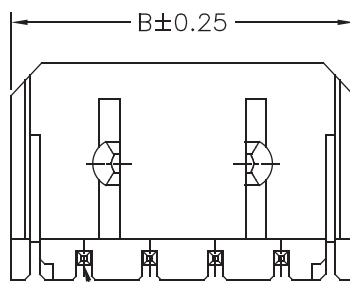
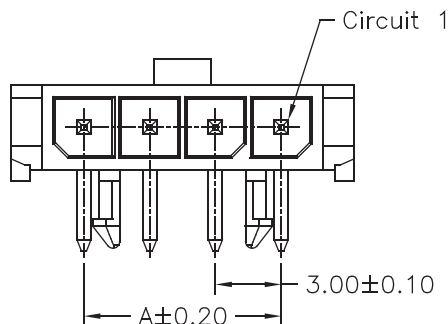


3.0mm Wafer Single row Right Angle / Straight Type

Specifications

Current Rating: 5A AC,DC
 Voltage Rating: 250V AC,DC
 Temperature Range: -25°C to +85°C
 Contact Resistance: 10mΩ Max.
 Insulation Resistance: 1000MΩ Min.
 Withstanding Voltage: 1500V AC/minute
 Terminal: Brass / Tin Plated
 Material: PBT,UL94V-0

Part No.	Dimensions	
	A	B
3000R-102TB-L	3.00	9.65
3000R-103TB-L	6.00	12.65
3000R-104TB-L	9.00	15.65
3000R-105TB-L	12.00	18.65
3000R-106TB-L	15.00	21.65
3000R-107TB-L	18.00	24.65
3000R-108TB-L	21.00	27.65
3000R-109TB-L	24.00	30.65
3000R-110TB-L	27.00	33.65
3000R-111TB-L	30.00	36.65
3000R-112TB-L	33.00	39.65



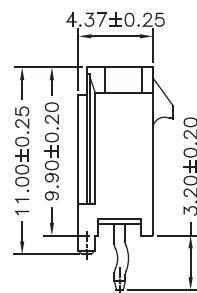
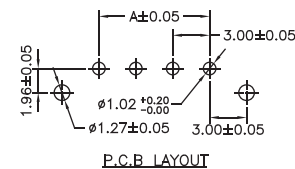
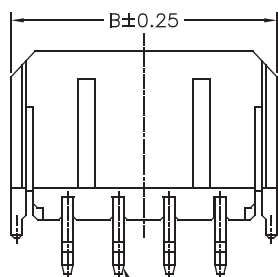
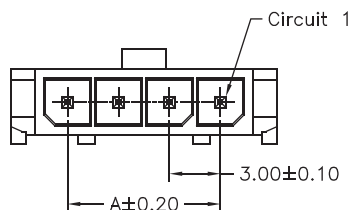
Part No.:3000R-1XXTB-L

PIN 0.64 SQ

Specifications

Current Rating: 5A AC,DC
 Voltage Rating: 250V AC,DC
 Temperature Range: -25°C to +85°C
 Contact Resistance: 10mΩ Max.
 Insulation Resistance: 1000MΩ Min.
 Withstanding Voltage: 1500V AC/minute
 Terminal: Brass / Tin Plated
 Material: PBT,UL94V-0

Part No.	Dimensions	
	A	B
3000S-102TB-L	3.00	9.65
3000S-103TB-L	6.00	12.65
3000S-104TB-L	9.00	15.65
3000S-105TB-L	12.00	18.65
3000S-106TB-L	15.00	21.65
3000S-107TB-L	18.00	24.65
3000S-108TB-L	21.00	27.65
3000S-109TB-L	24.00	30.65
3000S-110TB-L	27.00	33.65
3000S-111TB-L	30.00	36.65
3000S-112TB-L	33.00	39.65



Part No.:3000S-1XXTB-L

PIN 0.64 SQ