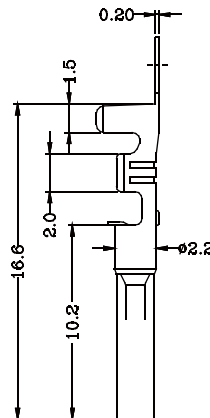
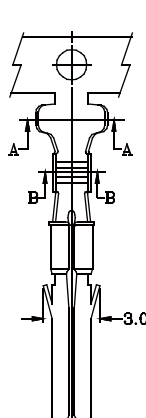
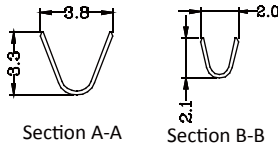




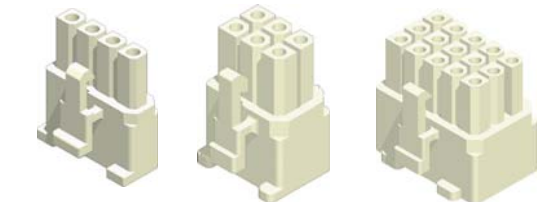
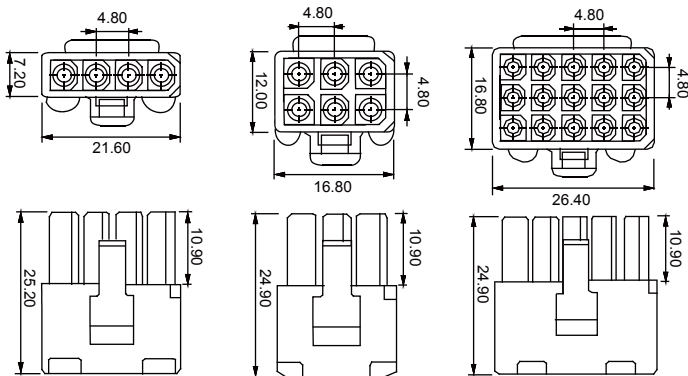
## 4.8mm Female & Male Terminal / Female & Male Housing

Specifications  
 Current Rating: 5A AC,DC  
 Voltage Rating: 250V AC,DC  
 Temperature Range: -25°C to +85°C  
 Contact Resistance: 10mΩ Max  
 Insulation Resistance: 1000MΩ Min  
 Withstanding Voltage: 1500V AC/minute  
 Material: Nylon 66,UL94V-2



Wire Range	Insulation O.D.	Material	Finish
#20-#24	1.85mm(Max)	Brass	Tin Plated

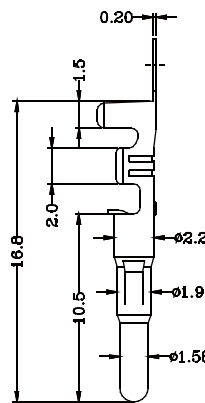
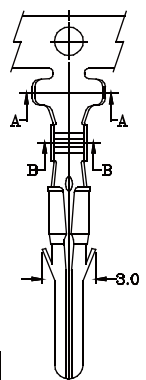
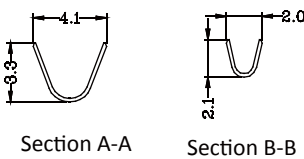
**Part No.:4800-FT-L**



Part No.	No. of Contacts
4800H-M102W-L	1x2
4800H-M103W-L	1x3
4800H-M104W-L	1x4
4800H-M203W-L	2x3
4800H-M303W-L	3x3
4800H-M304W-L	3x4
4800H-M305W-L	3x5

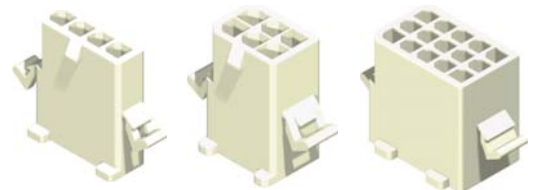
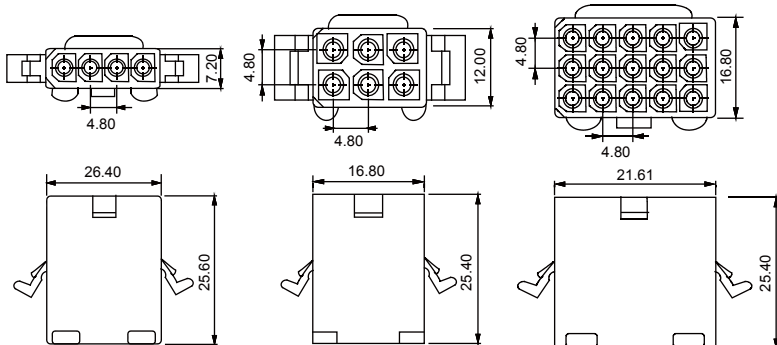
4800H-M104W-L    4800H-M203W-L    4800H-M305W-L

**Part No.:4800H-MXXXW-L**



Wire Range	Insulation O.D.	Material	Finish
#20-#24	1.85mm(Max)	Brass	Tin Plated

**Part No.:4800-MT-L**



Part No.	No. of Contacts
4800H-F102W-L	1x2
4800H-F103W-L	1x3
4800H-F104W-L	1x4
4800H-F203W-L	2x3
4800H-F303W-L	3x3
4800H-F304W-L	3x4
4800H-F305W-L	3x5

4800H-F104W1-L    4800H-F203W1-L    4800H-F305W1-L  
 4800H-F104W2-L    4800H-F203W2-L    4800H-F305W2-L

**Part No.:4800H-FXXXW-L**

1:With Ear  
 2:W/O Ear

**H**ousing Wafer Terminal



**ROHS**