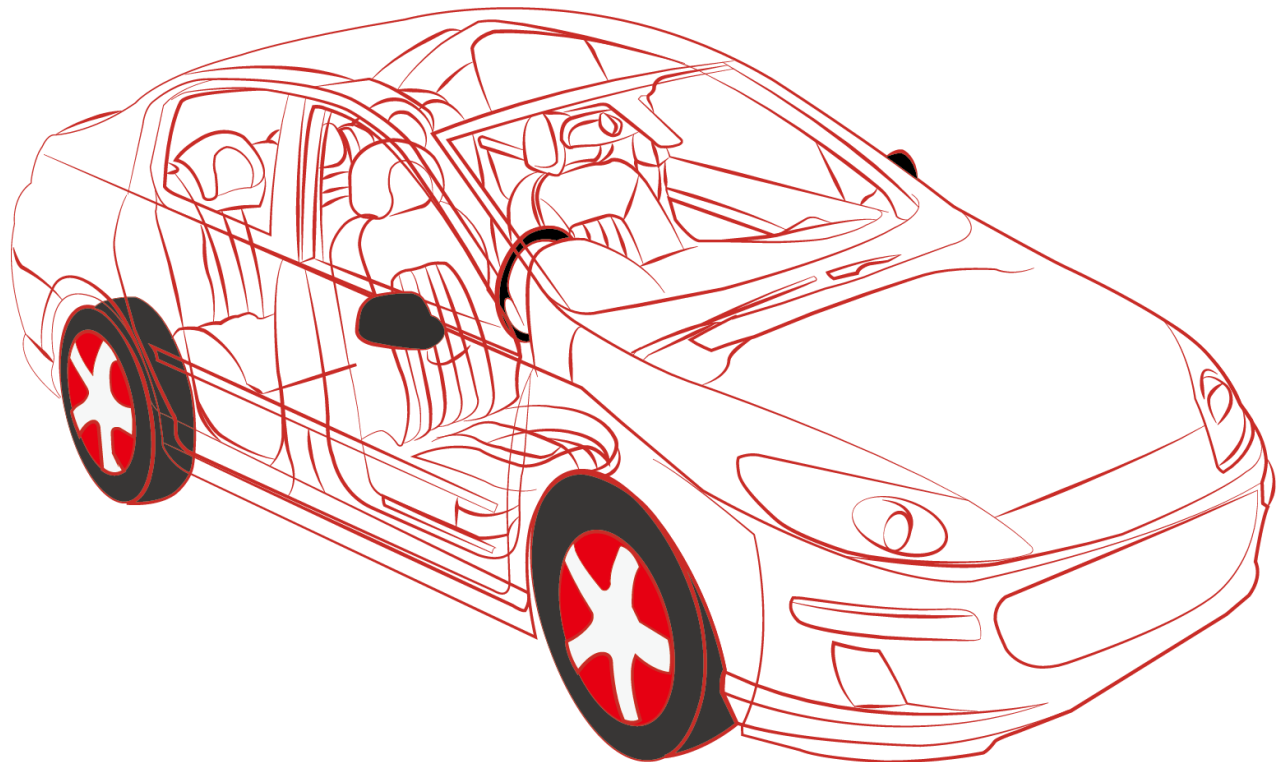


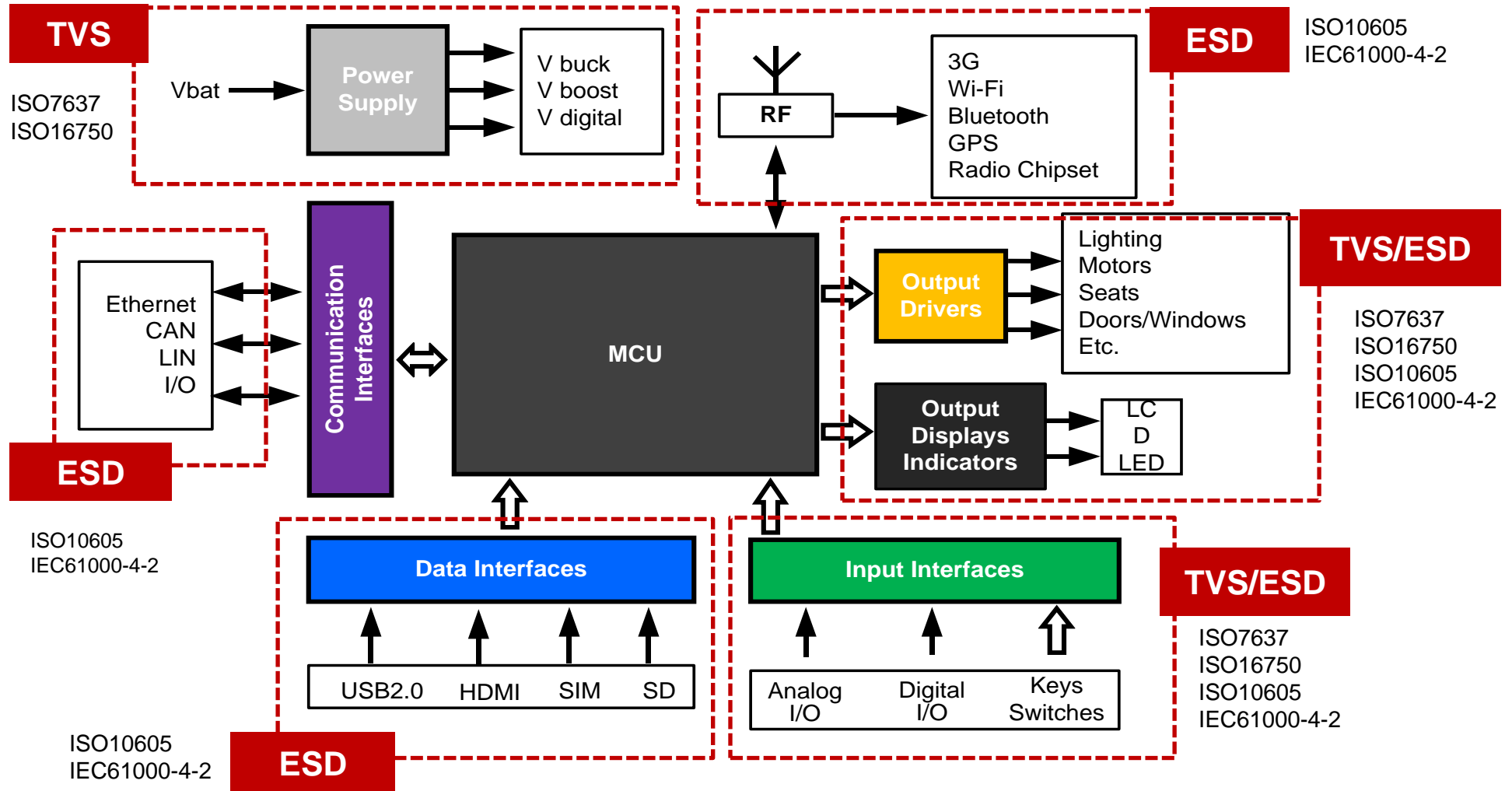
# Automotive Electronics Transient Voltage Protection



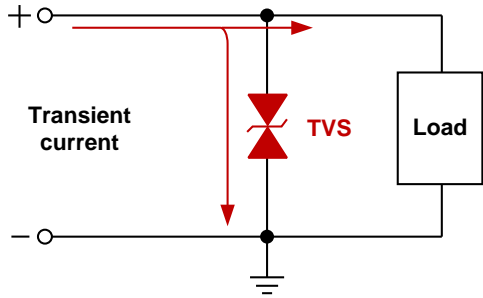
**B** 君耀电子  
**BrightKing**

TWSE Stock Code : 6422

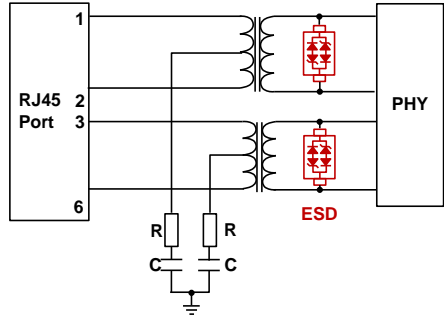
Category	Standard types	Standard Number	Standard Titles
Electrical transient conduction along supply lines	ISO	ISO 7637-2	Road vehicles —Electrical disturbances from conduction and coupling—Part 2 : Electrical transient conduction along supply lines only
	GB	GB/T 21437.2	道路车辆 由传导和耦合引起的电骚扰—第二部分 : 沿电源线的电瞬态传导
	ISO	ISO 16750-2	Road vehicles — Environmental conditions and testing for electrical and electronic equipment —Part 2: Electrical loads
	GB	GB/T 28046-2	道路车辆 电气及电子设备的环境条件和试验—第二部分 : 电气负荷
	ISO	ISO 21848	Road vehicles -- Electrical and electronic equipment for a supply voltage of 42 V -- Electrical loads
	GB	GB/T 28045	道路车辆 42V供电电压的电气和电子设备 电气负荷
Electrical transient transmission by capacitive and inductive coupling via lines other than supply lines	ISO	ISO7637-3	Road vehicles — Electrical disturbances from conduction and coupling — Part 3: Electrical transient transmission by capacitive and inductive coupling via lines other than supply lines
ESD	IEC	IEC61000-4-2	Electromagnetic compatibility (EMC) –Part 4-2: Testing and measurement techniques – Electrostatic discharge immunity test
	GB	GB/T 17626.2	电磁兼容 试验和测量技术 静电放电产生的电骚扰试验方法
	ISO	ISO 10605	Road vehicles — Test methods for electrical disturbances from electrostatic discharge
	GB	GB/T 19951	道路车辆 静电放电产生的电骚扰试验方法



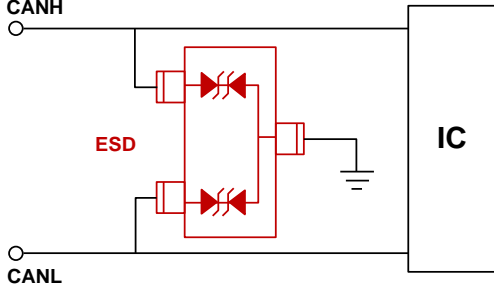
Applications	Circuit Diagram	Test Standards	Recommended Selection Devices	Management System Safety Certification Reliability
12VDC	Fig. 1	7637-2 , Pulse1、 2a、 2b 3a、 3b	<a href="#">SMBJ28CA</a> , <a href="#">1.0SMB24CA</a>	TS16949 ISO9001 ISO14001 QC080000 OHSAS180001  TS16949 UL1449 UL497B  AEC-Q101
		ISO7637-2 , Pulse 5a、 5b	<a href="#">ATH24/30C</a> , <a href="#">SMEJ24A</a>	
24VDC		7637-2 , Pulse1、 2a、 2b、 3a、 3b	<a href="#">SMBJ36CA</a> , <a href="#">1.0SMB36CA</a>	
		ISO7637-2、 Pulse 5a、 5b	<a href="#">ATH36C</a> , <a href="#">SMEJ36A</a>	
RJ45	Fig. 2	ISO10605 , IEC61000-4-2	<a href="#">UDD32C03L01</a>	
CAN	Fig. 3	ISO10605 , IEC61000-4-2	<a href="#">SDT23C24L02</a> , <a href="#">SET23A24L02</a>	
LIN	Fig. 4	ISO10605 , IEC61000-4-2	<a href="#">SDD32C24L01</a>	
RF	Fig. 5	ISO10605 , IEC61000-4-2	<a href="#">UDD32CXXL01</a>	
I/O	Fig. 6	ISO10605 , IEC61000-4-2	ESD1 : <a href="#">SET23A24L02</a> ESD2 : <a href="#">SJD12CXXL01/UDD32C24L01</a>	
Keys	Fig. 7	ISO10605 , IEC61000-4-2	<a href="#">SJD12CXXL01</a>	
SD	Fig. 8	ISO10605 , IEC61000-4-2	<a href="#">UDT26A05L05UL</a>	
SIM	Fig. 9	ISO10605 , IEC61000-4-2	ESD1: <a href="#">UDD32C05L01</a> ESD2: <a href="#">UDT26A05L05UL</a>	
HDMI	Fig. 10	ISO10605 , IEC61000-4-2	<a href="#">UDD32C05L01</a>	
USB2.0	Fig. 11	ISO10605 , IEC61000-4-2	ESD1: <a href="#">UET14A05L03</a> , ESD2 : <a href="#">UDD32C05L01</a> , ESD3 : <a href="#">UDT26A05L05UL</a> ,	



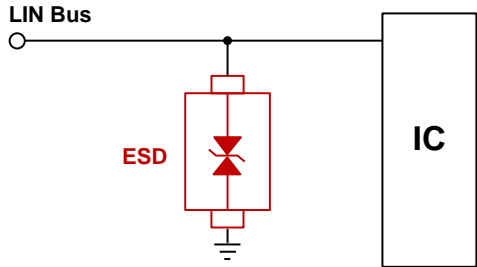
**Fig.1 DC Power Line**



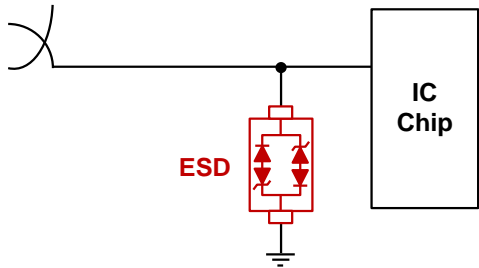
**Fig.2 RJ45 Port**



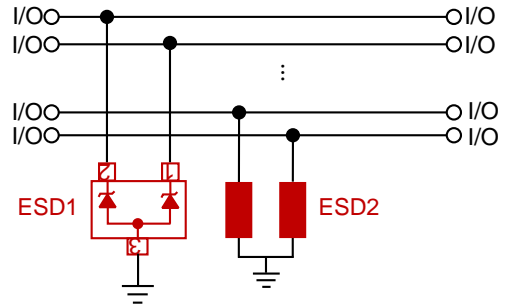
**Fig.3 CAN Bus**



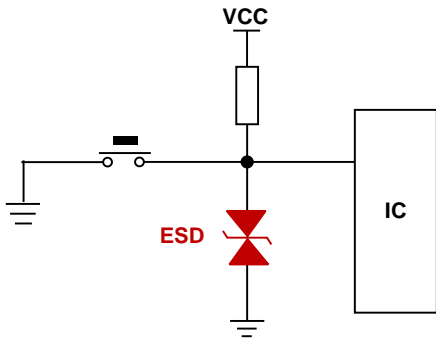
**Fig.4 LIN Bus**



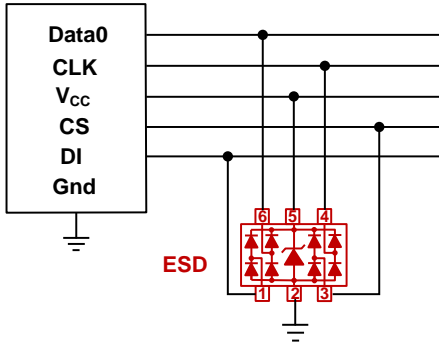
**Fig.5 RF Port**



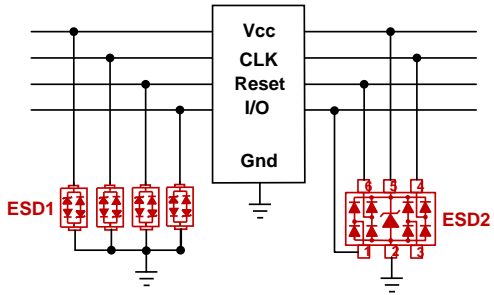
**Fig.6 I/O Interfaces**



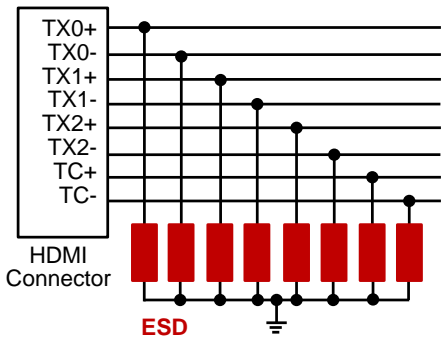
**Fig.7 Keys**



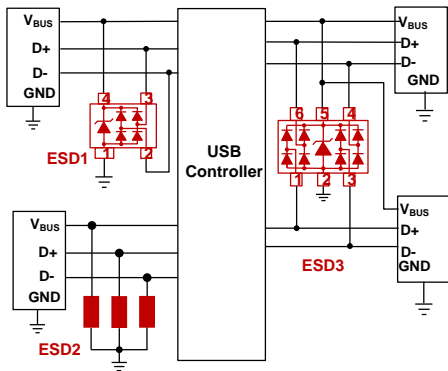
**Fig.8 SD Card**



**Fig.9 SIM Card**



**Fig.10 HDMI Port**



**Fig.11 USB2.0 Port**

### Shanghai

**A:** Floor 23, No 465, East Beijing Road,  
Huangpu District, Shanghai, PRC  
**T:** +86-21-6322 1578  
**F:** +86-21-3304 0081  
**E:** [may@brightking.com](mailto:may@brightking.com),  
[tina@brightking.com](mailto:tina@brightking.com)

### Shenzhen

**A:** 2F, Tianan Management Center  
Building, Tianan cyber park,  
Futian District, Shenzhen, China  
**Te:** +86-755-8379 5119  
**F:** +86-755-8379 1530  
**E:** [kenny@brightking.com](mailto:kenny@brightking.com),  
[ray@brightking.com](mailto:ray@brightking.com)

### Beijing

**A:** Room 310, Fanya Building, No  
128, Zhichun Road, Haidian District,  
Beijing, PRC T: +86-10-6255 0216  
**F:** +86-10-6252 3764  
**E:** [jerry@brightking.com](mailto:jerry@brightking.com)

### US

**A:** 3032 Scott Blvd, Santa Clara, CA  
95054-3301  
**T:** 408 844 8830 (US)  
**F:** 408 844 8832 (US)  
**E:** [Amy@brightking.com](mailto:Amy@brightking.com)  
[Rbitney@brightking.com](mailto:Rbitney@brightking.com)

### Taiwan

**A:** 3F., No.105, Zhongcheng Rd.,  
Tucheng Dist., New Taipei City 236,  
Taiwan (R.O.C.)  
**T:** +886-2-2268-5502  
**F:** +886-2-2268-5512  
**E:** [sam@brightking.com](mailto:sam@brightking.com)

### Dongguan ( Headquarters )

**A:** #3 Building, Modern enterprise  
accelerator park, Song Shan Lake  
High-tech Industrial development zone,  
Dongguan City, Guangdong  
Province, P.R.C  
**T:** +86- 769-26626898  
**F:** +86-769- 26626198  
**E:** [sales@brightking.com](mailto:sales@brightking.com)