



## BAS21

Preliminary

DIODE

### GENERAL PURPOSE DIODES

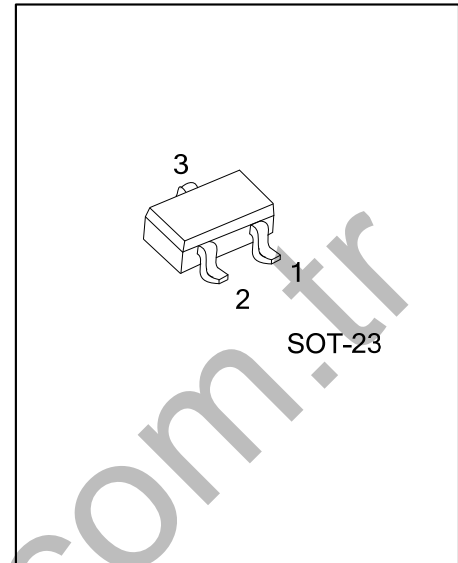
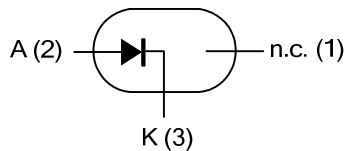
#### DESCRIPTION

The UTC **BAS21** is a general purpose diode using UTC's planar technology to provide customers with high current capacity and high switching speed.

#### FEATURES

- \* High Current Capability
- \* High Switching Speed

#### SYMBOL



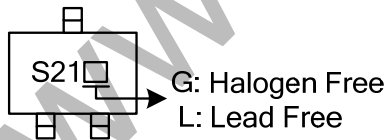
#### ORDERING INFORMATION

Ordering Number		Package	Pin Assignment			Packing
Lead Free	Halogen Free		1	2	3	
BAS21L-AE3-R	BAS21G-AE3-R	SOT-23	x	A	K	Tape Reel

Note: Pin Assignment: A: Anode K: Cathode x: NC

<p>BAS21L-AE3-R</p> <p>(1) Packing Type</p> <p>(2) Package Type</p> <p>(3) Lead Free</p>	<p>(1) R: Tape Reel</p> <p>(2) AE3: SOT-23</p> <p>(3) G: Halogen Free, L: Lead Free</p>
--	---

#### MARKING



■ ABSOLUTE MAXIMUM RATINGS

PARAMETER	SYMBOL	RATINGS	UNIT	
Repetitive Peak Reverse Voltage	$V_{RRM}$	250	V	
Continuous Reverse Voltage	$V_R$	200	V	
Continuous Forward Current (Note 1)	$I_F$	200	mA	
Repetitive Peak Forward Current	$I_{FRM}$	625	mA	
Non-Repetitive Peak Forward Current (Square Wave, $T_J=25^\circ\text{C}$ Prior to Surge)	$I_{FSM}$	$t=1\mu\text{s}$	9	A
		$t=100\mu\text{s}$	3	A
		$t=10\text{ms}$	1.7	A
Power Dissipation ( $T_A=25^\circ\text{C}$ ) (Note 1)	$P_D$	250	mW	
Junction Temperature	$T_J$	150	$^\circ\text{C}$	
Storage Temperature	$T_{STG}$	-65~+150	$^\circ\text{C}$	

Note: Absolute maximum ratings are those values beyond which the device could be permanently damaged. Absolute maximum ratings are stress ratings only and functional device operation is not implied.

■ THERMAL CHARACTERISTICS

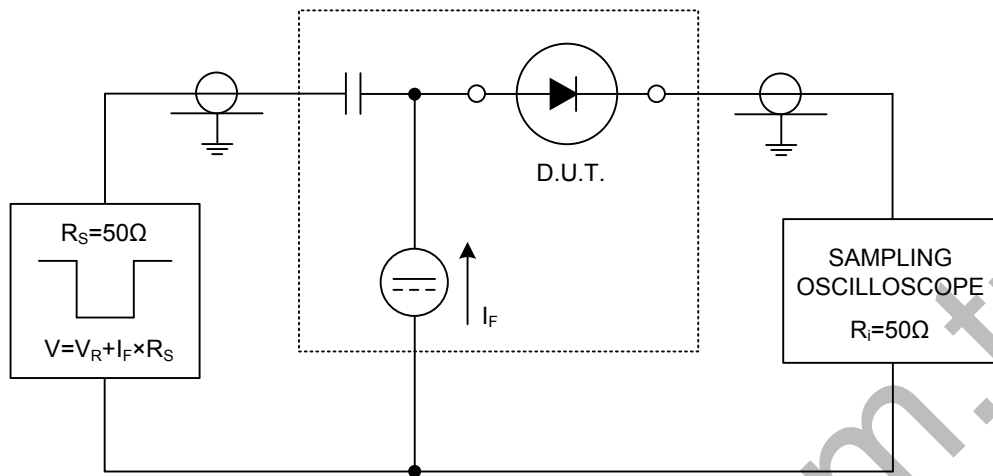
PARAMETER	SYMBOL	RATINGS	UNIT
Junction to Ambient (Note 1)	$\theta_{JA}$	330	K/W

Note: 1. Device mounted on an FR4 printed-circuit board.

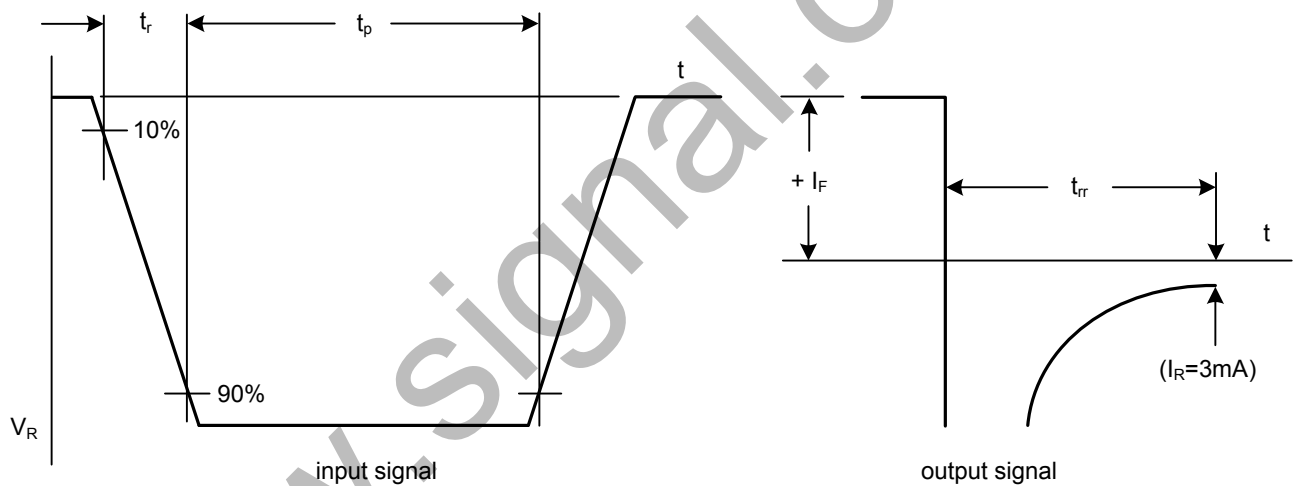
■ ELECTRICAL CHARACTERISTICS ( $T_J=25^\circ\text{C}$ , unless otherwise specified.)

PARAMETER	SYMBOL	TEST CONDITIONS	MIN	TYP	MAX	UNIT
Forward Voltage	$V_F$	$I_F=100\text{mA}$			1	V
		$I_F=200\text{mA}$			1.25	V
Reverse Current	$I_R$	$V_R=200\text{V}$			100	nA
		$V_R=200\text{V}, T_J=150^\circ\text{C}$			100	$\mu\text{A}$
Diode Capacitance	$C_D$	$f=1\text{MHz}, V_R=0$			5	pF
Reverse Recovery Time	$T_{RR}$	when switched from $I_F=30\text{mA}$ to $I_R=30\text{mA}$ , $R_L=100\Omega$ , measured at $I_R=3\text{mA}$			50	ns

■ TEST CIRCUITS AND WAVEFORMS



Reverse recovery voltage test circuit



Reverse recovery voltage waveforms

UTC assumes no responsibility for equipment failures that result from using products at values that exceed, even momentarily, rated values (such as maximum ratings, operating condition ranges, or other parameters) listed in products specifications of any and all UTC products described or contained herein. UTC products are not designed for use in life support appliances, devices or systems where malfunction of these products can be reasonably expected to result in personal injury. Reproduction in whole or in part is prohibited without the prior written consent of the copyright owner. The information presented in this document does not form part of any quotation or contract, is believed to be accurate and reliable and may be changed without notice.