

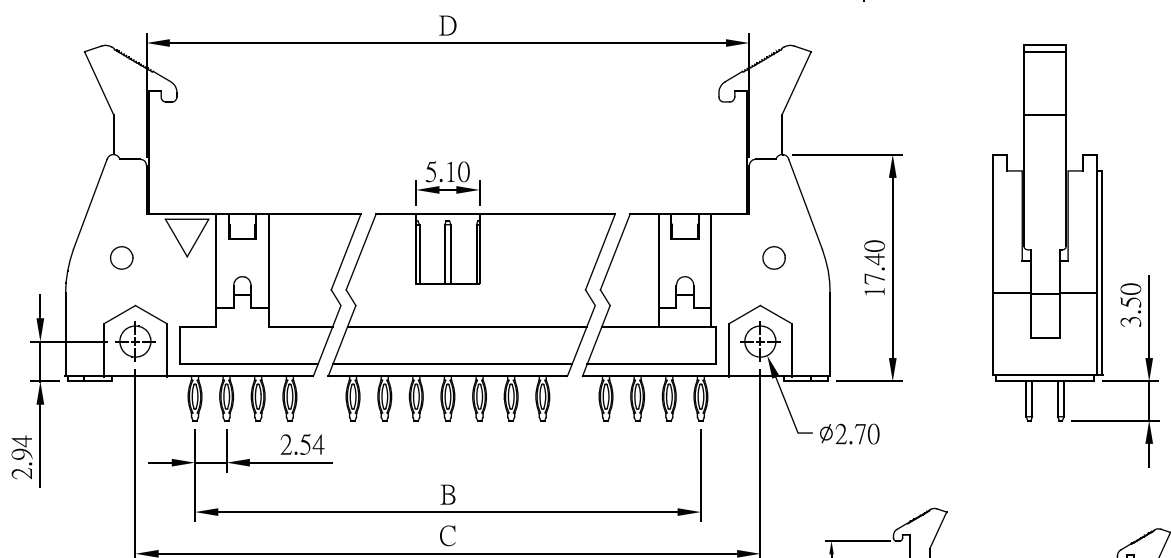
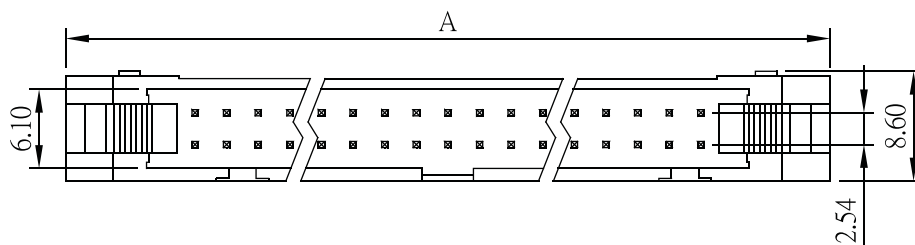
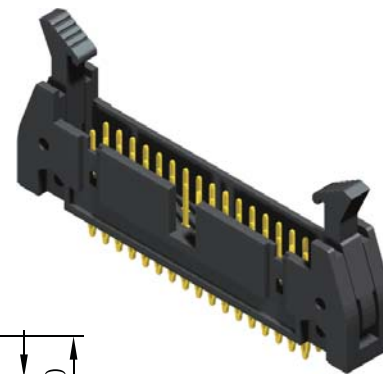
Ejector Header 2.54mm Press Fit Type

Specifications

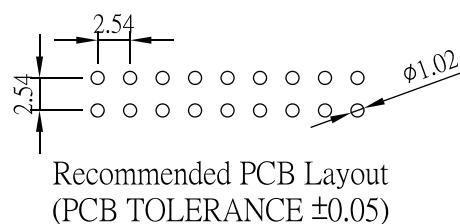
Current Rate: 3AMP
 Insulation Resistance: 1000MΩ Min.
 Contact Resistance: 20mΩ Max.
 Dielectric Voltage: 1000V AC for one minute
 Operation Temperature: -40°C to +105°C

Material

Insulator: Polyester, UL 94V-0
 Standard: PBT
 Terminal: Copper Alloy
 Plating: Gold Plated



No. of Contacts	Dim. A	Dim. B	Dim. C	Dim. D
10	31.88	10.16	21.84	17.96
14	37.02	15.24	26.92	23.04
16	39.52	17.78	29.46	25.58
20	44.74	22.86	34.54	30.66
26	52.20	30.48	42.16	38.28
34	62.40	40.64	52.32	48.44
40	70.04	48.26	59.94	56.06
50	82.72	60.96	72.64	68.76
60	95.40	73.66	85.34	81.46
64	100.50	78.74	90.42	86.54



ORDER INFORMATION

