



CONNECTORS MANUFACTURE

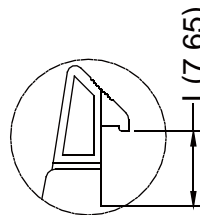
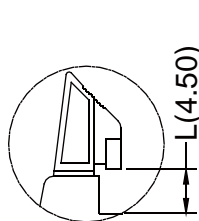
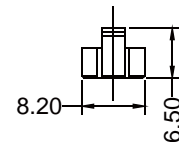
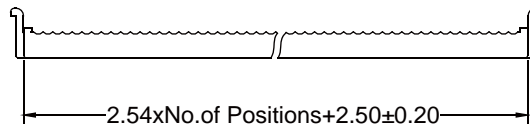
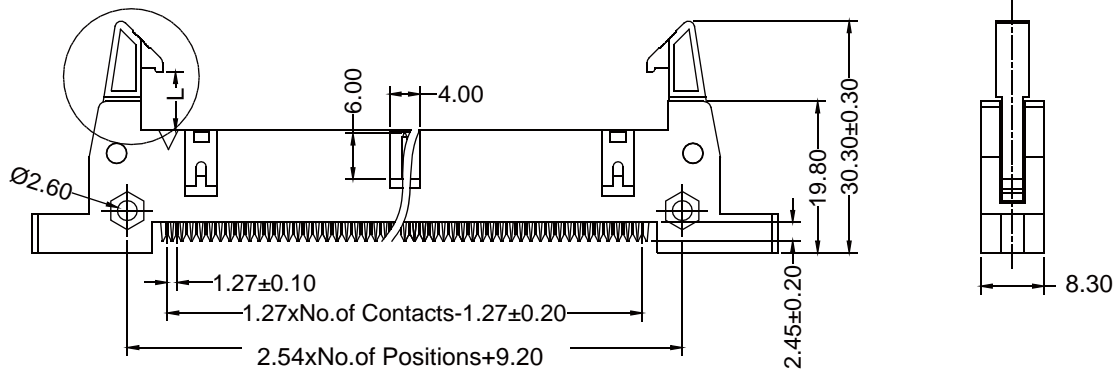
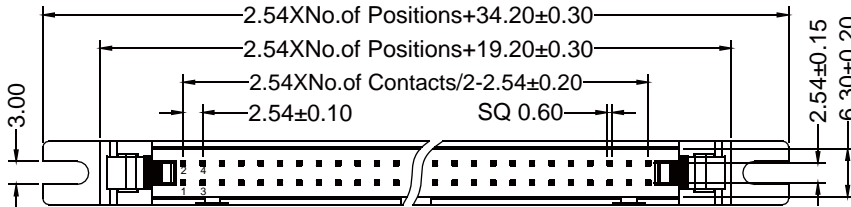
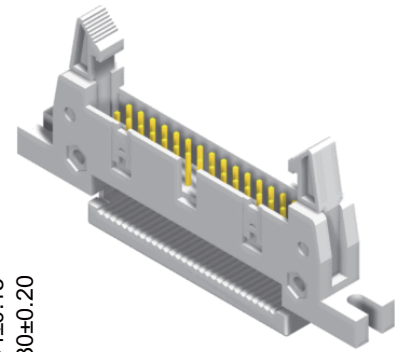
Ejector Header 2.54mm IDC Type

Specifications

Current Rate: 3AMP
 Insulation Resistance: 1000MΩ Min.
 Contact Resistance: 20mΩ Max.
 Dielectric Voltage: 1000V AC for one minute
 Operation Temperature: -40°C to +105°C

Material

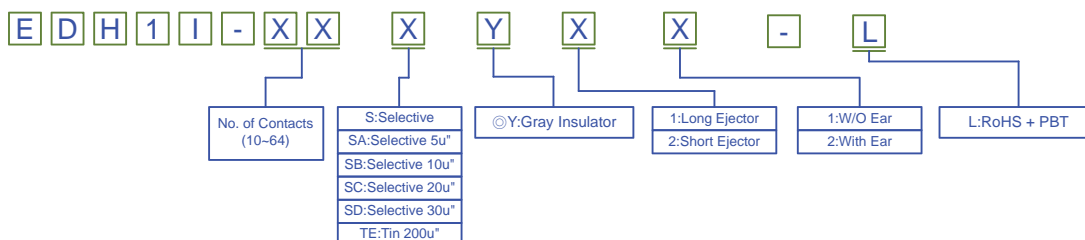
Insulator: Polyester, UL 94V-0
 Standard: PBT
 Terminal: Copper Alloy
 Plating: Gold Plated



Short Latch

Long Latch

ORDER INFORMATION



©Standard Recommended

Ejector Header 2.54mm



ROHS

CONNECTORS MANUFACTURE