



## Ejector Header 2.0mm SMT / Right Angle / Straight / Elevated Type

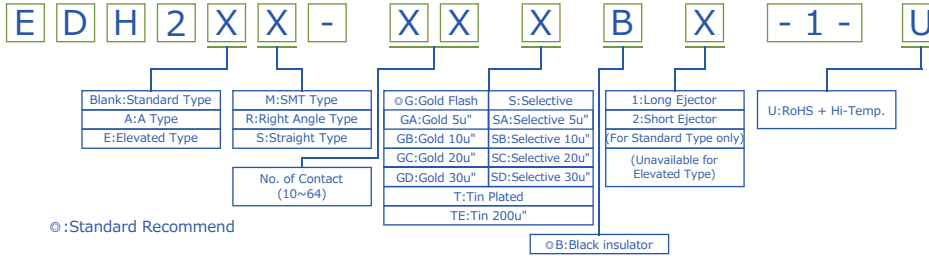
### Specifications

Current Rate: 2 AMP  
 Insulation Resistance: 1000MΩ Min.  
 Contact Resistance: 20mΩ Max.  
 Dielectric Voltage: 500V AC for one minute  
 Operation Temperature: -40°C to +105°C

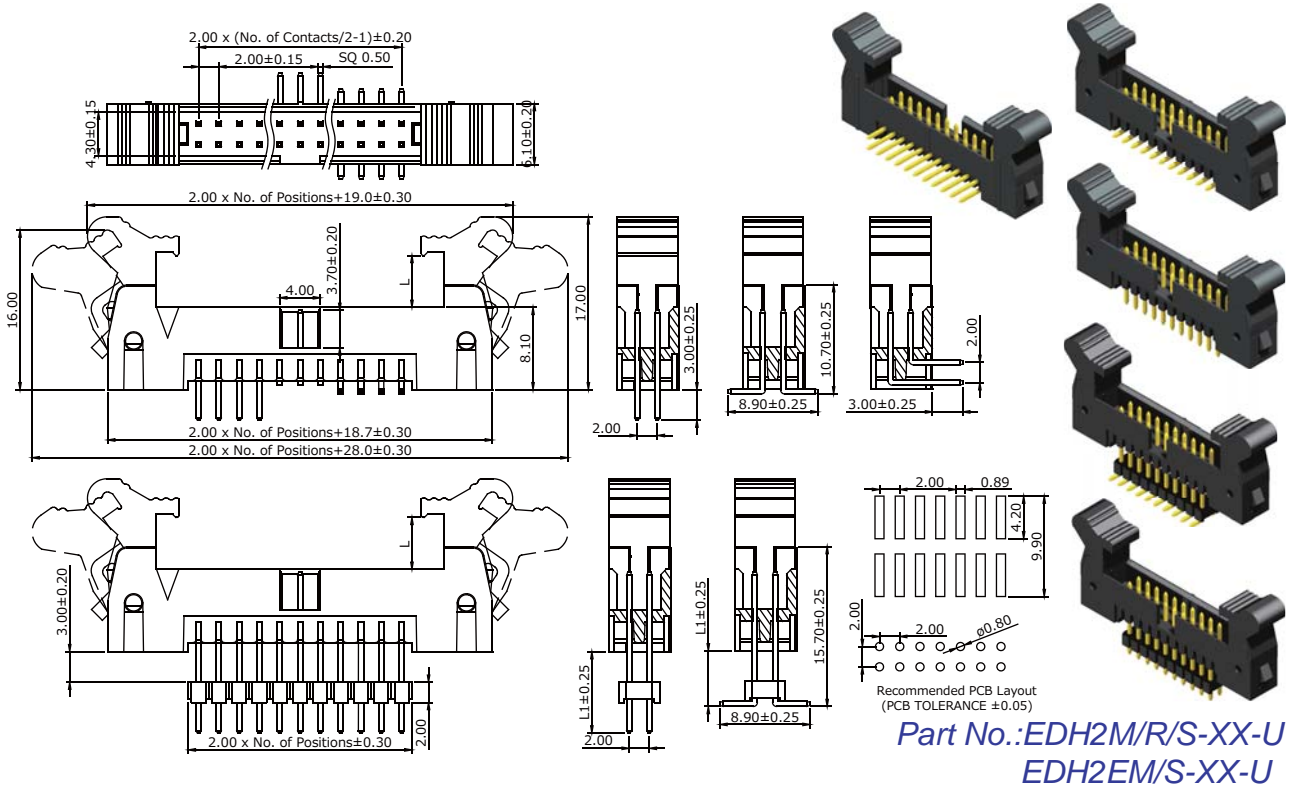
### Material

Insulator: Hi-Temp. Thermoplastic, UL 94V-0  
 Terminal: Copper Alloy  
 Plating: Gold Plated

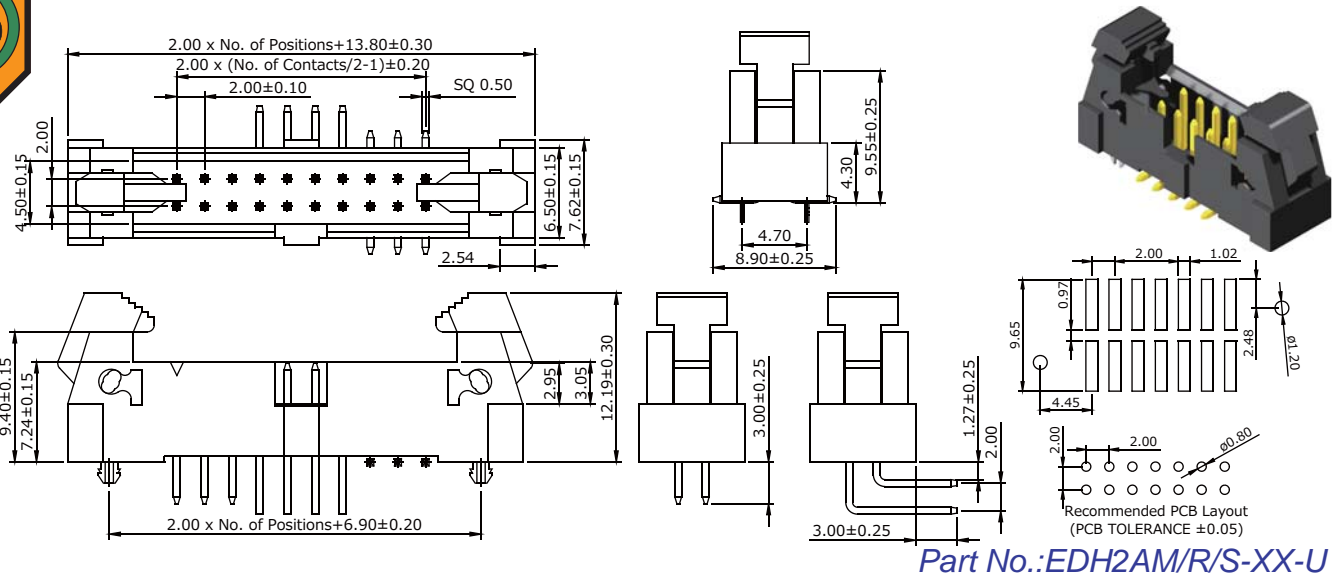
## ORDER INFORMATION



## Ejector Header 2.0mm SMT / Right Angle / Straight & Elevated Type



## Ejector Header 2.0mm SMT / Right Angle / Straight Type



Ejector Header 2.0mm

ROHS