

Ejector Header 1.27mm SMT / Right Angle / Straight Type

Specifications

Current Rate:1 AMP

Insulation Resistance:1000MΩ Min.

Contact Resistance:20mΩ Max.

Dielectric Voltage:500V AC for one minute

Operation Temperature:-40°C to +105°C

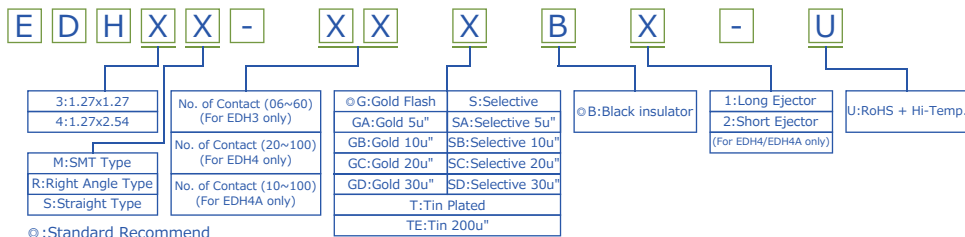
Material

Insulator:Hi-Temp. Thermoplastic, UL 94V-0

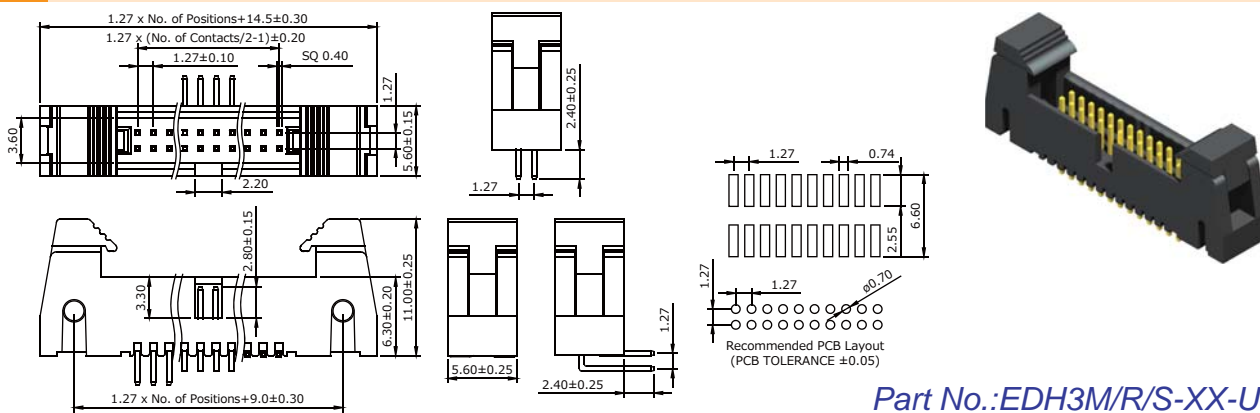
Terminal:Copper Alloy

Plating:Gold Plated

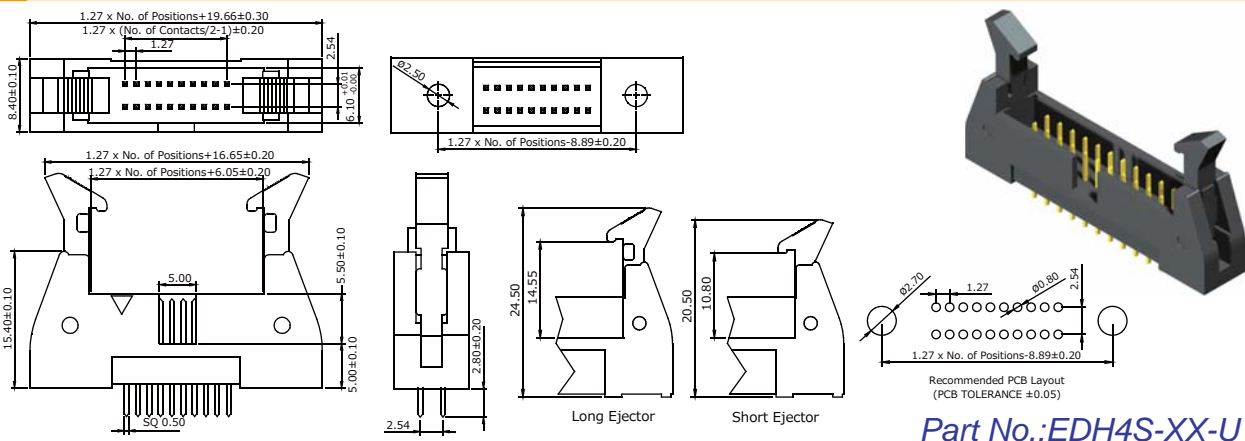
ORDER INFORMATION



Ejector Header 1.27x1.27mm SMT / Right Angle / Straight Type



Ejector Header 1.27x2.54mm Straight Type



Ejector Header 1.27x2.54mm Right Angle / Straight Type

