

LARGE CAN TYPE

EP Series

JAMICON®

- High temperature 105°C, high ripple current and high reliability.
- Long life for 10000 hours.



● SPECIFICATION

Item	Characteristic			
Operation Temperature Range	-40 ~ +105°C			
Rated Working Voltage	350 ~ 450VDC			
Capacitance Tolerance (120Hz 20°C)	±20%(M)			
Leakage Current (20°C)	I ≤ 0.02CV or 5 (mA) I : Leakage Current (μA)		*Whichever is smaller after 5 minutes C : Rated Capacitance (μF) V : Working Voltage (V)	
Surge Voltage (20°C)	W.V.	350	400	450
	S.V.	400	450	500
Dissipation Factor (tan δ)(MAX) (120Hz 20°C)	W.V.	350	400	450
	tan δ	0.15	0.15	0.15
Low Temperature Stability	Impedance ratio at 120Hz			
	Rated Voltage (V)	350~450		
	-25°C / +20°C	8		
Load Life	After 10000 hours application of W.V. and +105°C ripple current value, the capacitor shall meet the following limits. (DC + ripple peak voltage ≤ rate working voltage)			
	Capacitance Change	≤ ±20% of initial value		
	Dissipation Factor	≤ 200% of initial specified value		
	Leakage current	≤ initial specified value		
Shelf Life	At +105°C, no voltage application after 1000 hours, the capacitor shall meet the limits for load life characteristics. (with voltage treatment)			

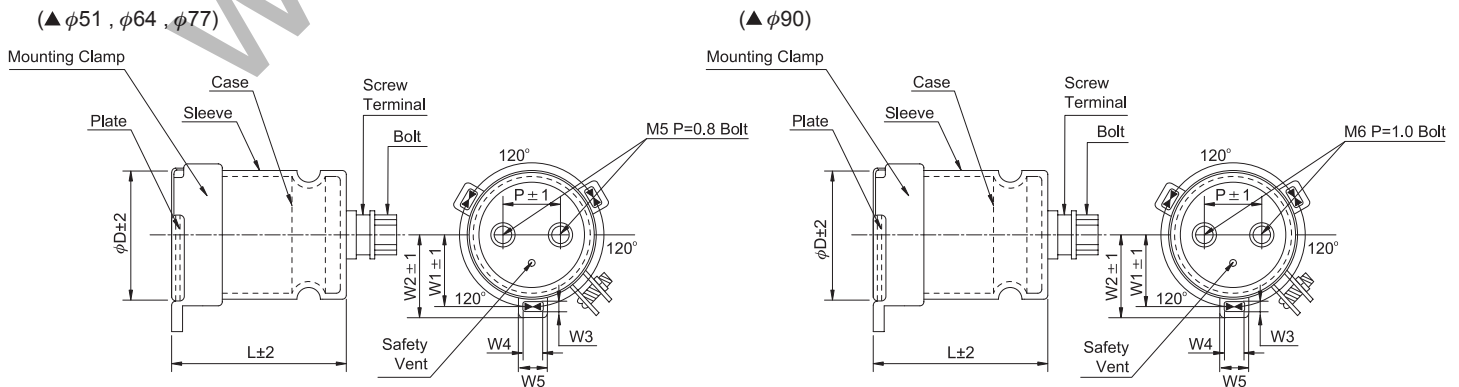
● TERMINAL TYPE

φD	W1	W2	W3	W4	W5	P
51	32.5	37.5	4.5	7.0	13.0	22.0
64	38.5	42.8	4.5	7.0	13.0	28.5
77	44.8	49.0	4.5	7.0	13.0	31.8
90	52.3	58.8	5.0	8.0	16.0	31.6

● RIPPLE CURRENT COEFFICIENTS

Frequency(Hz)	60	120	300	1k	≥10k
Multiplier	0.70	1.00	1.10	1.30	1.40

Temperature(°C)	40	60	85	105
Multiplier	2.44	2.16	2.00	1.00



● CASE SIZE & MAX RIPPLE CURRENT

Case size : D x L (mm)
 Max ripple current : A(rms) 105°C 120Hz

μF	V(Code) Code	φD	350 (2V)				400 (2G)				450 (2W)			
			51	64	77	90	51	64	77	90	51	64	77	90
1000	102		75				75				96			
			5.6				5.6				6.2			
1200	122		75				96				115			
			6.1				6.8				7.4			
1500	152		96				115				130			
			7.6				8.2				8.7			
1800	182		96				130				115			
			8.3				9.5				9.7			
2200	222		130					96			115			
			10.5					9.7			10.7			
2700	272		96					115			130	115		
			10.9					11.8			12.5	12.7		
3300	332		115					130			155	130		
			13.1					13.8			14.9	14.8		
3900	392		130					155	115		195			
			15.0					16.2	15.3		18.0			
4700	472		155	115				195	130			155		
			17.8	16.8				19.8	17.7			19.1		
5600	562		195	130				195	155			195	157	
			21.6	19.3				21.6	20.9			23.2	21.5	
6800	682			144						157			196	
				22.3						23.7			26.2	
8200	822				157					157			196	
					26.1					26.1			28.8	
10000	103				157					196			236	
					28.8					31.8			34.5	
12000	123				196					236				
					34.8					37.8				
15000	153				236									
					42.3									

www.singal.com.tr