

E.SATA Conn. Series

Specifications

Current Rate:1.5 AMP

Insulation Resistance:1000M Ω Min.

Contact Resistance:30 m Ω Max.

Dielectric Voltage:500V AC for one minute

Operation Temperature:-55°C to +125°C

Material

Insulator:Polyester,UL 94V-0

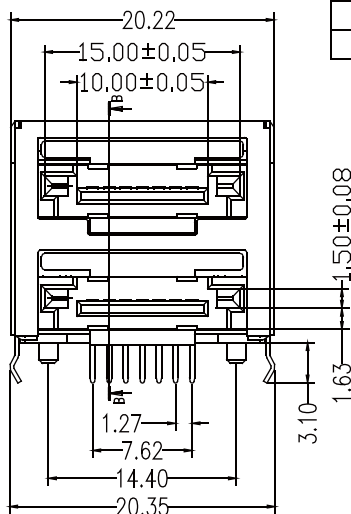
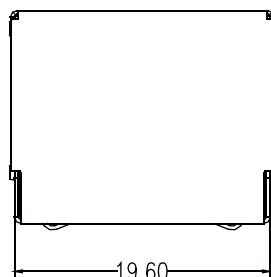
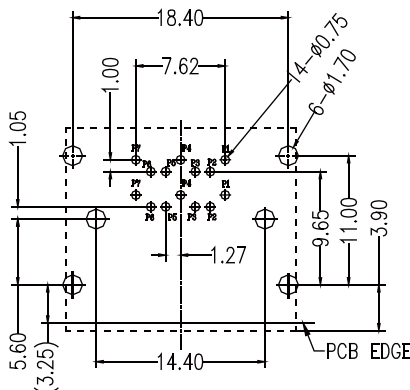
©Standard: Housing:Nylon 46

eSATA:Nylon 46

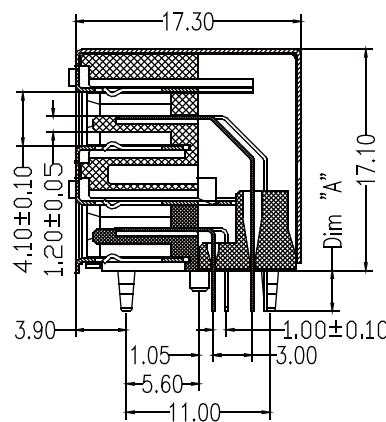
Terminal:Brass

Plating:Selective Plating

P/N	Dim. A
ESATA2D-14SR-1-L	3.10
ESATA2D-14SR-2-L	2.15



Pin Number	Signal Name
P1	GND
P2	RX+
P3	RX-
P4	GND
P5	TX-
P6	TX+
P7	GND



Part No.:ESATA2D-14SB-U

Specifications

Current Rate:1.5 AMP

Insulation Resistance:1000M Ω Min.

Contact Resistance:30 m Ω Max.

Dielectric Voltage:500V AC for one minute

Operation Temperature:-55°C to +125°C

Material

Insulator:Polyester,UL 94V-0

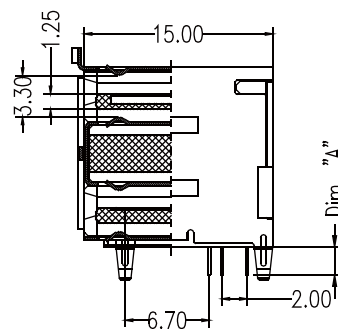
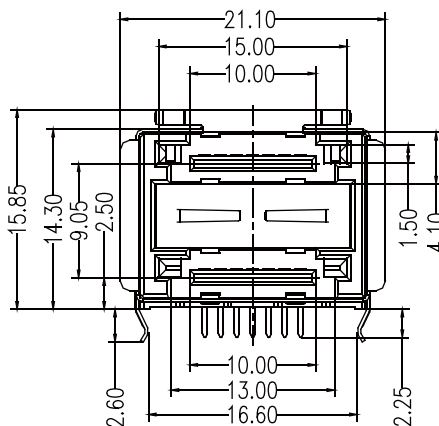
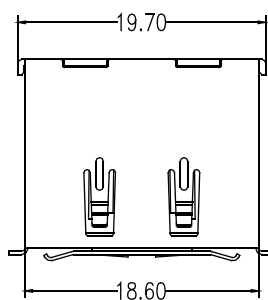
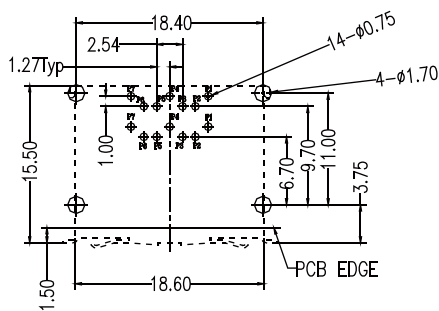
©Standard: Housing:PBT

Retainer:Nylon 66

Terminal:Brass

Plating:Selective Plating

P/N	Dim. A
ESATA2E-14SB-1-L	3.10
ESATA2E-14SB-2-L	2.15



Part No.:ESATA2E-14SB-L