



E.SATA Conn. Series

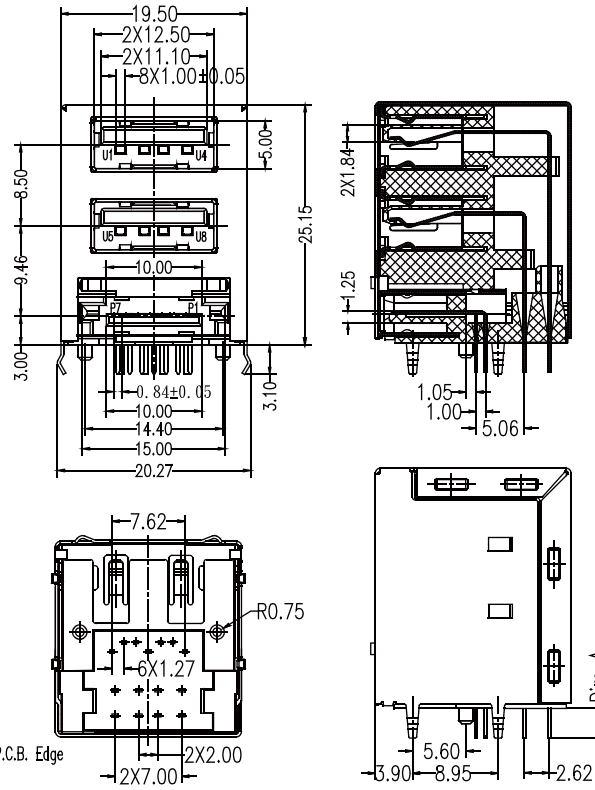
Specifications

Current Rate:1.5 AMP
 Insulation Resistance:1000M Ω Max
 Contact Resistance:30 m Ω Min
 Dielectric Voltage:500V AC for one minute
 Operation Temperature:-55° C to +125° C

Material

Insulator:Polyester,UL 94V-0
 ©Standard: Housing:Nylon 66
 eSATA:Nylon 46
 Terminal:Brass
 Plating:Selective Plating

Standard	Dim A
ESATAU-15SB-1-L	2.15
ESATAU-15SB-2-L	3.10



Part No.:ESATAU-15SB-L

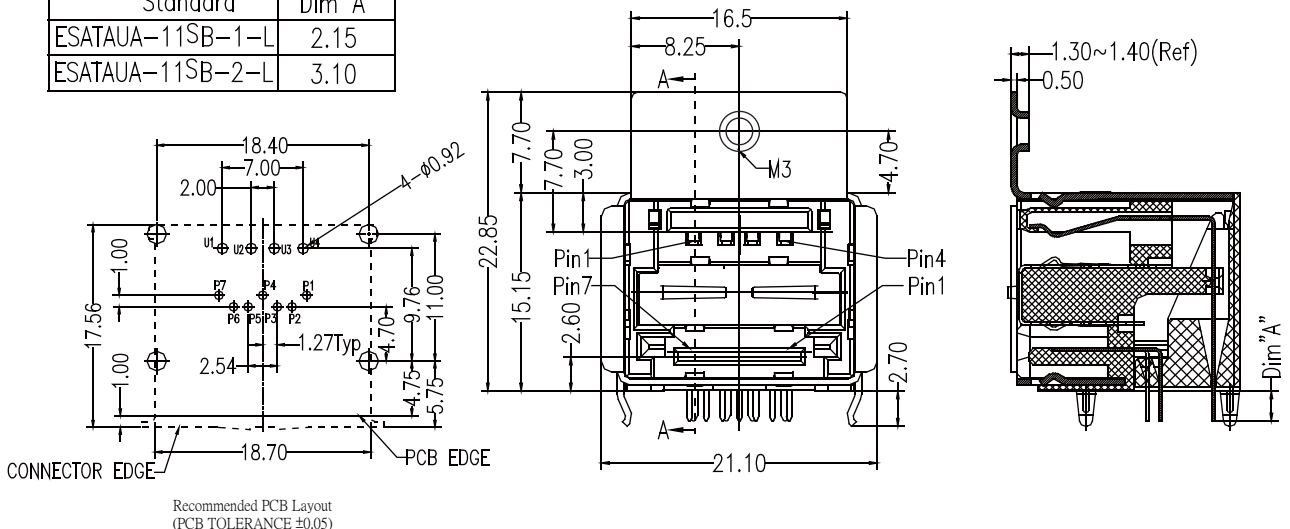
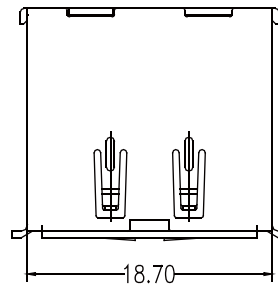
Specifications

Current Rate:1.5 AMP
 Insulation Resistance:1000M Ω Max
 Contact Resistance:30 m Ω Min
 Dielectric Voltage:500V AC for one minute
 Operation Temperature:-55° C to +125° C

Material

Insulator:Polyester,UL 94V-0
 ©Standard: Housing:PBT
 Retainer:Nylon 66
 Terminal:Brass
 Plating:Selective Plating

Standard	Dim A
ESATAUA-11SB-1-L	2.15
ESATAUA-11SB-2-L	3.10



Part No.:ESATAUA-11SB-L

E SATA

Pb

ROHS