

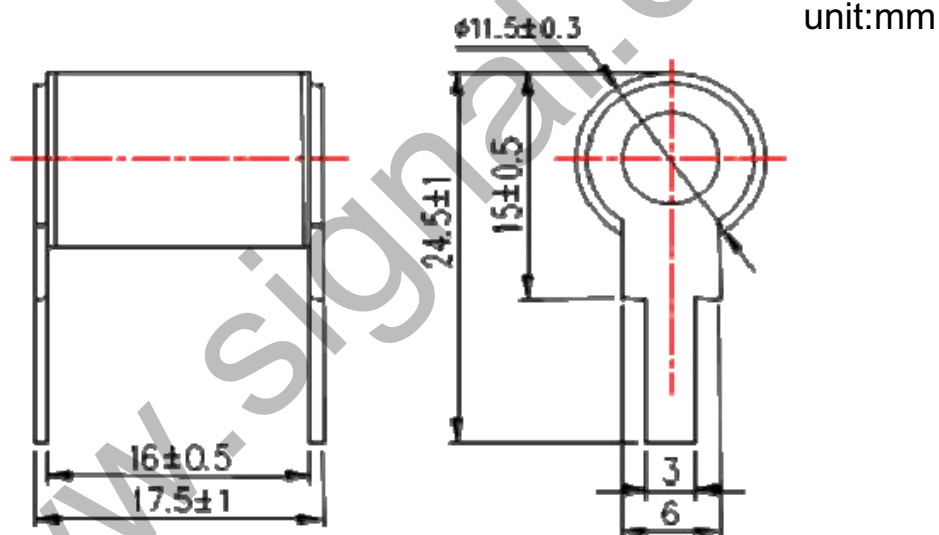
DATA SHEET

GAS DISCHARGE TUBE – B600-60KA(003)

FEATURES

- ✧ Provide ultra-fast response to surge voltage from slow-rising surge of 100V/s to rapid-rising surge of 1KV/μs.
- ✧ Stable breakdown voltage.
- ✧ High insulation resistance.
- ✧ Large absorbing transient current capability.
- ✧ Micro-Gap Design
- ✧ ROHS compliant
- ✧ Operation and storage temperature: -40°C ~ +90°C

DIMENSION



ELECTRICAL CHARACTERISTIC

Part Number	DC Spark-over Voltage	Maximum Impulse Spark-over Voltage	Nominal Impulse Discharge Current	Maximum Impulse Discharge Current	Minimum Insulation Resistance		Maximum Capacitance	Device Marking Code
	100V/s	1000V/μs	8/20μs, ±5 times	10/350μs, 1 time	Test Voltage	(GΩ)	1MHz	
	(V)	(V)	(KA)	(KA)	DC(V)		(pF)	
B600-60KA(003)	600±20%	1400	60	15	100	1.0	25	B600-60KA