

THROUGH-HOLE AXIAL CONFORMAL MOLDED INDUCTORS

LTM 0307 SERIES

FEATURES:

- Ferrite Core
- Wire-wound construction
- Heat resistant epoxy molded resin
- High reliability, Ideal for automatic insertion
- Small size, Low Cost

OPTIONS:

- Packaging: Tape & Reel is Standard (Qty: 1000 pcs)
- Bulk packaging available for smaller quantities
- Tolerance: 10% is standard, tighter tolerances available.

COMMON APPLICATIONS:

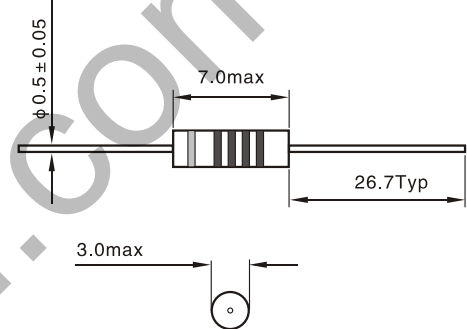
- VCRs, PDP, LCD, TV set
- Automotive Systems
- Computer Peripheral Equipment
- GPS, DC/DC convertor, XDSL Modem
- Electronic Games
- Mobile Communications Equipment
- General Electronic Applications

STANDARD SPECIFICATIONS

Part Number	L (μH)	Tol ± %	Q min	L Test Freq (MHz)	S.R.F (MHz)	R _{DC} (Ω) Max	I _{bc} (mA)
LTM0307-R22K	0.22	20	35	25.2	150	0.40	400
LTM0307-R27K	0.27	20	35	25.2	150	0.43	380
LTM0307-R33K	0.33	20	35	25.2	150	0.48	370
LTM0307-R39K	0.39	20	35	25.2	150	0.51	350
LTM0307-R47K	0.47	20	35	25.2	150	0.56	330
LTM0307-R56K	0.56	20	40	25.2	150	0.61	320
LTM0307-R68K	0.68	20	40	25.2	150	0.67	310
LTM0307-R82K	0.82	20	40	25.2	150	0.74	290
LTM0307-1R0K	1.0	20	40	25.2	150	0.80	270
LTM0307-1R2K	1.2	20	50	7.96	144	0.90	260
LTM0307-1R5K	1.5	20	50	7.96	131	1.0	250
LTM0307-1R8K	1.8	20	50	7.96	121	1.1	240
LTM0307-2R2K	2.2	20	50	7.96	110	1.2	230
LTM0307-2R7K	2.7	20	50	7.96	100	1.3	220
LTM0307-3R3K	3.3	10	50	7.96	94	1.4	210
LTM0307-3R9K	3.9	10	50	7.96	65	1.6	200
LTM0307-4R7K	4.7	10	50	7.96	56	1.7	190
LTM0307-5R6K	5.6	10	50	7.96	48	1.9	180
LTM0307-6R8K	6.8	10	50	7.96	37	2.0	175
LTM0307-8R2K	8.2	10	50	7.96	25	2.2	165
LTM0307-100K	10	10	50	7.96	21	2.5	160
LTM0307-120K	12	10	50	2.52	19	2.5	150
LTM0307-150K	15	10	50	2.52	17	2.8	145
LTM0307-180K	18	10	50	2.52	13	3.1	140
LTM0307-220K	22	10	50	2.52	9.6	3.4	130
LTM0307-270K	27	10	50	2.52	7.2	3.8	125
LTM0307-330K	33	10	50	2.52	6.3	4.1	120
LTM0307-390K	39	10	50	2.52	6.3	4.5	115
LTM0307-470K	47	10	50	2.52	6.3	4.9	110
LTM0307-560K	56	10	50	2.52	6.2	5.3	105
LTM0307-680K	68	10	50	2.52	5.7	5.8	100
LTM0307-820K	82	10	50	2.52	5.3	6.3	95
LTM0307-101K	100	10	50	2.52	4.8	7.0	90
LTM0307-121K	120	10	50	0.796	3.8	13.0	90
LTM0307-151K	150	10	50	0.796	3.5	15.0	85
LTM0307-181K	180	10	50	0.796	3.3	16.0	80
LTM0307-221K	220	10	50	0.796	3.0	17.0	75
LTM0307-271K	270	10	50	0.796	2.8	19.0	65
LTM0307-331K	330	10	50	0.796	2.6	20.0	60
LTM0307-391K	390	10	50	0.796	2.4	22.0	55
LTM0307-471K	470	10	50	0.796	2.25	24.0	55
LTM0307-561K	560	10	50	0.796	2.10	26.0	50
LTM0307-681K	680	10	50	0.796	1.95	28.0	45
LTM0307-821K	820	10	50	0.796	1.85	30.0	40
LTM0307-102K	1000	10	50	0.796	1.40	33.0	40

Note: 1. K= ± 10%, M= ± 20%

PHYSICAL CHARACTERISTICS



DIMENSIONS in mm

Electrical Schematic



TECHNICAL INFORMATION:

- Inductance Testing: HP4284A, HP4285A or equivalent
- RDC: QuadTech 1880 Milliohmmer
- Q- HP4342A
- SRF-HP4191A or HP4194A
- Rated Current L value drop 10% typ. at I_{bc} against its initial value
- Temperature rise 40°C Max Reference ambient temperature
- Solderability: 75% of the lead wire shall be covered
- Soldering Methods: Wave, Reflow
- Operating Temperature: -25°C to +85°C
- Storage Temperature: -55°C to +125°C
- Terminal bending strength: 24.5N Min
- Moisture resistance: ΔL/L ≤ ± 10% ΔQ/Q ≤ ± 25%

Note: All specifications subject to change without notice.