



THROUGH-HOLE RADIAL HIGH CURRENT POWER CHOKES

AIRD 01 SERIES

FEATURES:

- High Saturation Material
- Polyolefin Shrink Tubing
- Low DC Resistance
- High Reliability Low cost

OPTIONS:

- Packaging: Tape & Reel is Standard (Qty: 1000 pcs)
Bulk packaging available for smaller quantities
- Tolerance: 10% is standard, tighter tolerances available.

COMMON APPLICATIONS:

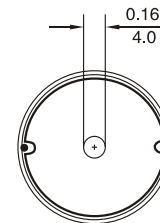
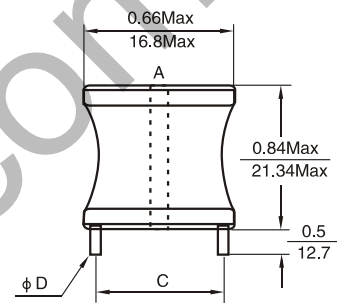
- Switching Regulators
- RFI Suppression Filters
- SCR and TRIAC Controls
- Automotive Systems

STANDARD SPECIFICATIONS

Part Number	L (μ H) @1KHz	DCR (Ω Max)	IDC (A Max)	Dim(Inches/mm) C Approx.	Dim(Inches/mm) D Nom.
AIRD01-1R0M	1.0	0.003	9	0.55/13.97	0.051/1.30
AIRD01-1R2M	1.2	0.003	9	0.55/13.97	0.051/1.30
AIRD01-1R5M	1.5	0.004	9	0.55/13.97	0.051/1.30
AIRD01-1R8M	1.8	0.004	9	0.55/13.97	0.051/1.30
AIRD01-2R2M	2.2	0.005	9	0.55/13.97	0.051/1.30
AIRD01-2R7M	2.7	0.005	9	0.55/13.97	0.051/1.30
AIRD01-3R3M	3.3	0.005	9	0.55/13.97	0.051/1.30
AIRD01-3R9M	3.9	0.006	9	0.55/13.97	0.051/1.30
AIRD01-4R7M	4.7	0.007	9	0.55/13.97	0.051/1.30
AIRD01-5R6M	5.6	0.007	9	0.55/13.97	0.051/1.30
AIRD01-6R8M	6.8	0.008	9	0.55/13.97	0.051/1.30
AIRD01-8R2M	8.2	0.009	9	0.55/13.97	0.051/1.30
AIRD01-100K	10	0.010	9	0.55/13.97	0.051/1.30
AIRD01-120K	12	0.011	9	0.55/13.97	0.051/1.30
AIRD01-150K	15	0.015	7.2	0.53/13.46	0.045/1.14
AIRD01-180K	18	0.016	7.2	0.53/13.46	0.045/1.14
AIRD01-220K	22	0.020	5.5	0.53/13.46	0.045/1.14
AIRD01-270K	27	0.030	4.5	0.53/13.46	0.040/1.01
AIRD01-330K	33	0.040	4.0	0.53/13.46	0.040/1.01
AIRD01-390K	39	0.046	4.0	0.53/13.46	0.040/1.01
AIRD01-470K	47	0.062	2.8	0.53/13.46	0.036/0.91
AIRD01-560K	56	0.069	2.8	0.53/13.46	0.036/0.91
AIRD01-680K	68	0.077	2.8	0.50/12.70	0.032/0.81
AIRD01-820K	82	0.083	2.8	0.50/12.70	0.032/0.81
AIRD01-101K	100	0.095	2.8	0.50/12.70	0.032/0.81
AIRD01-121K	120	0.127	2.0	0.50/12.70	0.029/0.73
AIRD01-151K	150	0.181	1.6	0.50/12.70	0.029/0.73
AIRD01-181K	180	0.217	1.6	0.50/12.70	0.025/0.63
AIRD01-221K	220	0.240	1.6	0.50/12.70	0.025/0.63
AIRD01-271K	270	0.300	1.6	0.47/11.94	0.020/0.51
AIRD01-331K	330	0.336	1.3	0.47/11.94	0.020/0.51
AIRD01-391K	390	0.460	1.0	0.47/11.94	0.020/0.51
AIRD01-471K	470	0.636	0.8	0.47/11.94	0.020/0.51
AIRD01-561K	560	0.696	0.8	0.47/11.94	0.020/0.51

Note: 1. K= \pm 10%, M= \pm 20%

PHYSICAL CHARACTERISTICS



DIMENSIONS: $\frac{\text{INCHES}}{\text{mm}}$

ELECTRONICAL SCHEMATIC



TECHNICAL INFORMATION:

- Inductance Testing: ,HP4284A,HP4285A or equivalent
- RDC:QuadTech 1880 Milliohmometer
- Q- HP4342A
- SRF-HP4191A or HP4194A
- Rated Current L value drop 10% typ. at I_{DC} against its initial value
- Temperature rise 40°C Max Reference ambient temperature
- Solderability: 75% of the lead wire shall be covered
- Soldering Methods: Wave, Reflow
- Operating Temperature: -25°C to +85°C
- Storage Temperature: -55°C to +125°C
- Terminal bending strength: 24.5N Min
- Moisture resistance: $\Delta L/L \leq \pm 10\%$ $\Delta Q/Q \leq \pm 25\%$

Note: All specifications subject to change without notice.