

THROUGH-HOLE RADIAL HIGH CURRENT POWER CHOKES

AIRD 02 SERIES



FEATURES:

- High Saturation Material
- Polyolefin Shrink Tubing
- Low DC Resistance
- High Reliability Low cost

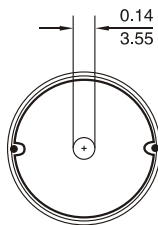
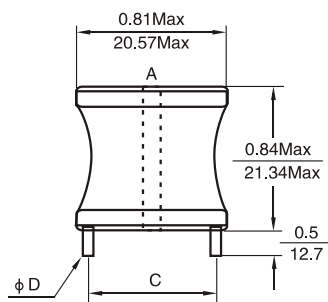
OPTIONS:

- Packaging: Tape & Reel is Standard (Qty: 1000 pcs)
Bulk packaging available for smaller quantities
- Tolerance: 10% is standard, tighter tolerances available.

COMMON APPLICATIONS:

- Switching Regulators
- RFI Suppression Filters
- SCR and TRIAC Controls
- Automotive Systems

PHYSICAL CHARACTERISTICS



DIMENSIONS: $\frac{\text{INCHES}}{\text{mm}}$

STANDARD SPECIFICATIONS

Part Number	L (μ H) @1KHz	DCR (Ω Max)	IDC (A Max)	Dim(Inches/mm) C Approx.	Dim(Inches/mm) D Nom.
AIRD02-1R0M	1.0	0.003	11.4	0.63/16.00	0.072/1.83
AIRD02-1R2M	1.2	0.003	11.4	0.63/16.00	0.072/1.83
AIRD02-1R5M	1.5	0.003	11.4	0.63/16.00	0.072/1.83
AIRD02-1R8M	1.8	0.003	11.4	0.63/16.00	0.072/1.83
AIRD02-2R2M	2.2	0.004	11.4	0.63/16.00	0.072/1.83
AIRD02-2R7M	2.7	0.005	11.4	0.63/16.00	0.064/1.62
AIRD02-3R3M	3.3	0.005	11.4	0.63/16.00	0.064/1.62
AIRD02-3R9M	3.9	0.005	11.4	0.63/16.00	0.064/1.62
AIRD02-4R7M	4.7	0.005	11.4	0.63/16.00	0.064/1.62
AIRD02-5R6M	5.6	0.006	11.4	0.63/16.00	0.064/1.62
AIRD02-6R8M	6.8	0.007	11.4	0.63/16.00	0.064/1.62
AIRD02-8R2M	8.2	0.007	11.4	0.63/16.00	0.064/1.62
AIRD02-100K	10	0.009	11.4	0.63/16.00	0.064/1.62
AIRD02-120K	12	0.009	11.4	0.63/16.00	0.057/1.45
AIRD02-150K	15	0.013	9.0	0.63/16.00	0.057/1.45
AIRD02-180K	18	0.018	7.2	0.63/16.00	0.051/1.30
AIRD02-220K	22	0.019	7.2	0.63/16.00	0.051/1.30
AIRD02-270K	27	0.026	5.5	0.63/16.00	0.051/1.30
AIRD02-330K	33	0.029	5.5	0.60/15.24	0.045/1.14
AIRD02-390K	39	0.030	5.5	0.60/15.24	0.045/1.14
AIRD02-470K	47	0.035	5.5	0.62/15.74	0.045/1.14
AIRD02-560K	56	0.039	5.5	0.62/15.74	0.040/1.01
AIRD02-680K	68	0.053	4.8	0.62/15.74	0.040/1.01
AIRD02-820K	82	0.060	4.8	0.62/15.74	0.040/1.01
AIRD02-101K	100	0.080	4.0	0.62/15.74	0.036/0.91
AIRD02-121K	120	0.090	4.0	0.62/15.74	0.036/0.91
AIRD02-151K	150	0.098	4.0	0.62/15.74	0.032/0.81
AIRD02-181K	180	0.110	4.0	0.62/15.74	0.032/0.81
AIRD02-221K	220	0.150	2.8	0.62/15.74	0.032/0.81
AIRD02-271K	270	0.213	2.0	0.60/15.24	0.029/0.73
AIRD02-331K	330	0.305	1.6	0.60/15.24	0.029/0.73
AIRD02-391K	390	0.320	1.6	0.60/15.24	0.025/0.64
AIRD02-471K	470	0.355	1.6	0.60/15.24	0.025/0.64
AIRD02-561K	560	0.388	1.6	0.60/15.24	0.025/0.64
AIRD02-681K	680	0.430	1.6	0.60/15.24	0.025/0.64
AIRD02-821K	820	0.590	1.3	0.60/15.24	0.023/0.58
AIRD02-102K	1000	0.818	1.0	0.60/15.24	0.020/0.51
AIRD02-122K	1200	1.14	0.8	0.60/15.24	0.020/0.51
AIRD02-152K	1500	1.26	0.8	0.60/15.24	0.020/0.51
AIRD02-182K	1800	1.39	0.8	0.60/15.24	0.018/0.45
AIRD02-222K	2200	1.54	0.8	0.60/15.24	0.018/0.45

ELECTRONICAL SCHEMATIC



TECHNICAL INFORMATION:

- Inductance Testing: ,HP4284A,HP4285A or equivalent
- RDC: QuadTech 1880 Milliohm meter
- Q- HP4342A
- SRF-HP4191A or HP4194A
- Rated Current L value drop 10% typ. at I_{DC} against its initial value
- Temperature rise 40°C Max Reference ambient temperature
- Solderability: 75% of the lead wire shall be covered
- Soldering Methods: Wave, Reflow
- Operating Temperature: -25°C to +85°C
- Storage Temperature: -55°C to +125°C
- Terminal bending strength: 24.5N Min
- Moisture resistance: $\Delta L/L \leq \pm 10\%$ $\Delta Q/Q \leq \pm 25\%$

Note: All specifications subject to change without notice.

Note: 1. K = $\pm 10\%$, M = $\pm 20\%$