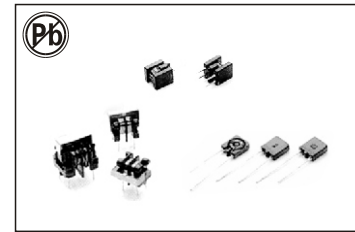


# HIGH FREQUENCY EMI FILTERS

## AICT SERIES

01,02,03,04



### FEATURES:

- High Frequency Design
- Against radiated noise
- High Reliability
- Auto insertion

### OPTIONS:

- Tape & Reel is Standard
- Custom design available

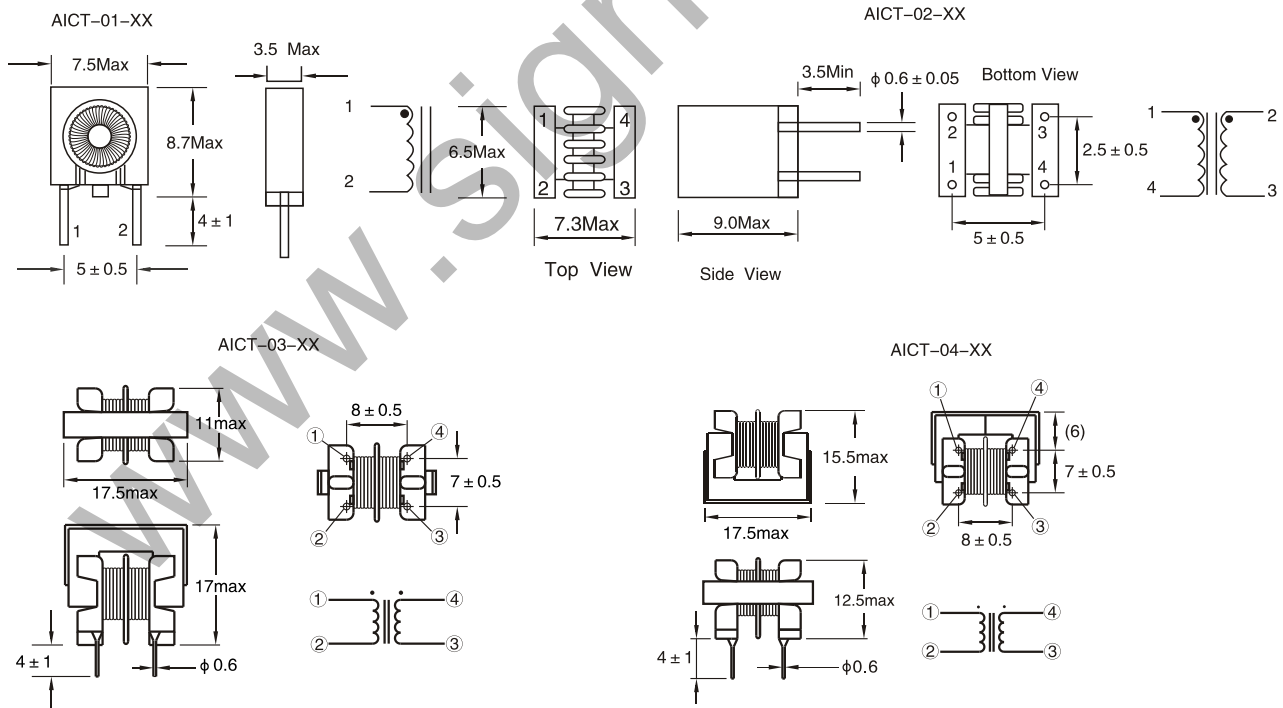
### COMMON APPLICATIONS:

- PC, Word processors.
- SMPS and switching AC adaptors
- Against CMC noise at composite Video signal dataline EMI suppression!

## STANDARD SPECIFICATIONS

Part Number	Inductance 1KHZ,1V $\mu H \pm 35\%$	Rdc m $\Omega$ Max.	Turns Ratio $\pm 0.2\%$	Insulation Resistance 100M $\Omega$ min	Part Number	Inductance 1KHZ,1V $\mu H$ Min	Rdc $\Omega$ Max.	Turns Ratio $\pm 0.2\%$	Hi-Pot Isolation Voltage
AICT-01-100M	10	20	-	500VDC	AICT-03-102M	1000	0.9	1 : 1	2500V
AICT-01-300M	30	30	-	500VDC	AICT-03-332M	3300	1.2	1 : 1	2500V
AICT-01-500M	50	30	-	500VDC	AICT-03-702M	7000	2.5	1 : 1	2500V
AICT-01-700M	70	34	-	500VDC	AICT-03-333M	33000	13.5	1 : 1	2500V
AICT-02-100M	10	50	1 : 1	500VDC	AICT-04-222M	2200	1.0	1 : 1	2500V
AICT-02-300M	30	50	1 : 1	500VDC	AICT-04-502M	5000	1.6	1 : 1	2500V
AICT-02-500M	50	60	1 : 1	500VDC	AICT-04-143M	14000	5.5	1 : 1	2500V
AICT-02-800M	80	60	1 : 1	500VDC	AICT-04-433M	43000	14.5	1 : 1	2500V

## TECHNICAL INFORMATION & PHYSICAL CHARACTERISTICS:



- Max operating voltage:250V at 40°C
- IDC Max: rating AC/DC current A @40°C
- Hi-Pot 2500Vac winding to winding 3S.
- Inductance Testing: 10KHz 0.1V HP4284A
- RDC:QuadTech 1880 Milliohmeter
- Surge current Max 10ms: 20X IDC
- Soldering methods:Wave,Reflow
- Operating Temperature:0°C to 85°C
- Storage Temperature:-25°C to 85°C

Note:All specifications subject to change without notice.

All dimensions are in mm