

HIGH FREQUENCY EMI FILTERS

AICT SERIES

05,06,07,08

FEATURES:

- High Frequency Design
- Against radiated noise
- High Reliability
- Auto insertion

OPTIONS:

- Tape & Reel is Standard
- Custom design available

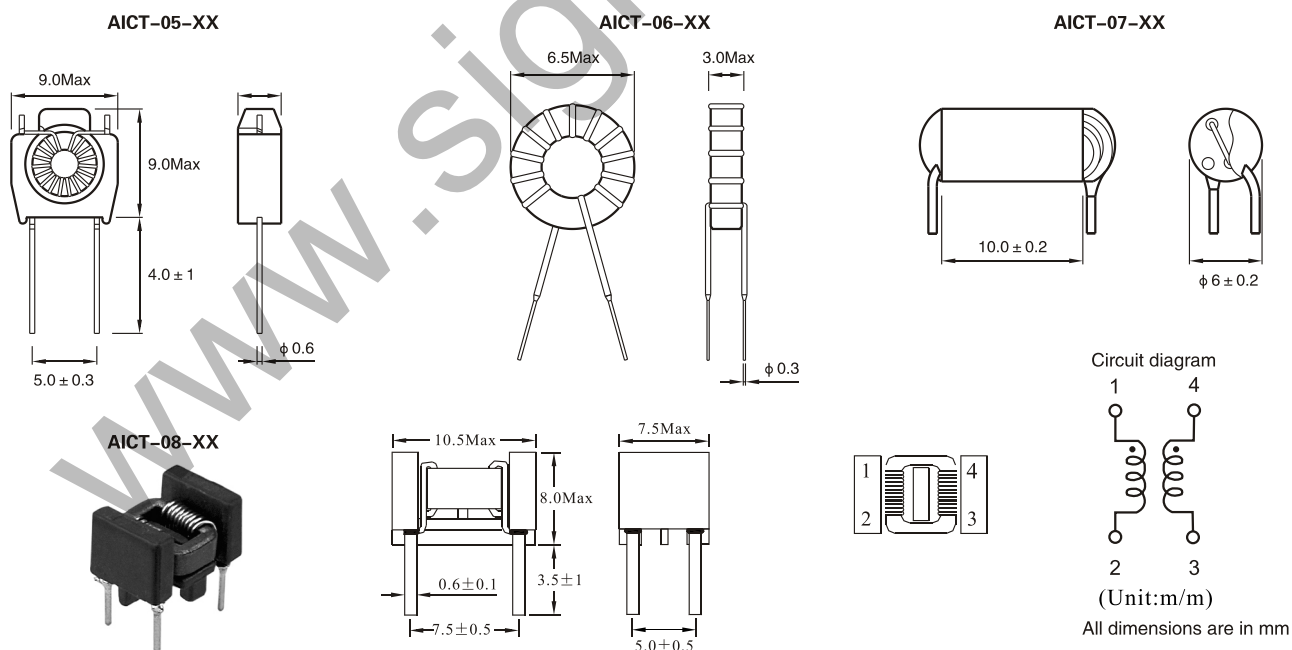
COMMON APPLICATIONS:

- PC, Word processors.
- SMPS and switching AC adaptors
- Against CMC noise at composite Video signal

STANDARD SPECIFICATIONS

AICT-05 Series				AICT-02 Series					
Part Number	Inductance 1KHZ, 1V μ H \pm 35%	Rdc m Ω Max.	Rated Current (A) Max	Part Number	Inductance 1KHZ, 1V μ H \pm 35%	Rated Current (A) Max	Rdc m Ω Max.	Turns Ratio \pm 0%	Hi-Pot Isolation Voltage
AICT-05-100M	10	20	1.5	AICT-08-100M	10	2.0	50	1 : 1	500V
AICT-05-300M	30	30	1.5	AICT-08-200M	20	1.5	50	1 : 1	500V
AICT-05-500M	50	50	1.5	AICT-08-500M	50	1.5	50	1 : 1	500V
AICT-05-600M	60	60	1.00	AICT-08-600M	60	1.5	80	1 : 1	500V
AICT-06-100M	10	20	1.5	AICT-08-800M	80	1.5	80	1 : 1	500V
AICT-06-200M	20	30	1.5	AICT-08-101M	100	1.0	100	1 : 1	500V
AICT-07-100M	10	50	3.0	AICT-08-201M	200	0.6	150	1 : 1	500V

PHYSICAL CHARACTERISTICS



TECHNICAL INFORMATION:

- Max operating voltage: 250V at 40°C
- IDC Max: rating AC/DC current A @ 40°C
- Hi-Pot 2500Vac winding to winding 3S.
- Inductance Testing: 10KHz 0.1V HP4284A
- RDC: QuadTech 1880 Milliohmeter
- Surge current Max 10ms: 20X IDC

- Soldering methods: Wave, Reflow
- Operating Temperature: 0°C to 85°C
- Storage Temperature: -25°C to 85°C

Note: All specifications subject to change without notice.