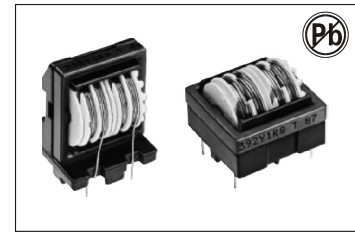


THROUGH-HOLE COMMON MODE CHOKES

ET SERIES



FEATURES:

- 0.3A to 10A ratings, low temperature rise
- 0.7mH to 100mH dual chokes
- Excellent Mechanical Strength
- 100KHz to 3MHz common mode resonance
- High Reliability and variant PCB-mount housing
- Low resistance and temperature rise

OPTIONS:

- Bulk packaging is standard
- Custom design available

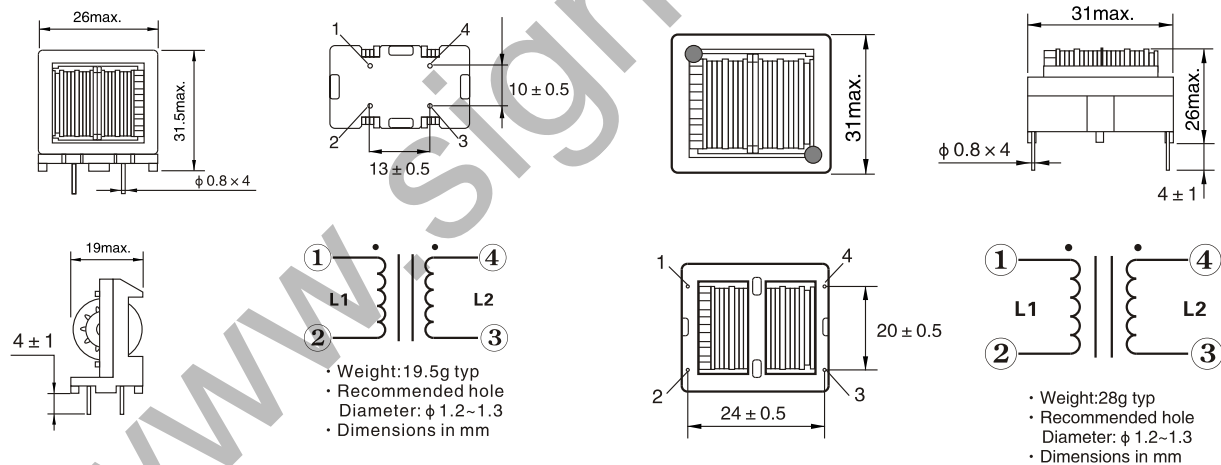
COMMON APPLICATIONS:

- DC/DC, AC/DC line noise suppression
 - Communication System
 - Automotive Systems
 - LCD/PDPTelevisions
 - Computer Peripheral Equipment
- It accord with the standards of FCC VCCI CISPR FTZ, etc, eliminating of electromagnetic noise of power and signal circuit.

ELECTRICAL CHARACTERISTICS:

Part Number	Nominal inductance (mH) Min.	Leakage Inductance (μ H)Max.	D.C.R (Ω) Max.	Rated current I(A) Max	Part Number	Nominal inductance (mH) Min.	Leakage Inductance (μ H)Max.	D.C.R (Ω) Max.	Rated current I(A) Max
ET2430V-683Y0R4	68	700	2.3	0.4	ET2836H-353Y1R0	35	650	0.78	1.0
ET2430V-453Y0R5	45	600	1.65	0.5	ET2836H-253Y1R2	25	500	0.56	1.2
ET2430V-333Y0R6	33	500	1.2	0.6	ET2836H-203Y1R5	20	400	0.41	1.5
ET2430V-253Y0R8	25	400	0.88	0.8	ET2836H-123Y1R8	12	300	0.27	1.8
ET2430V-203Y1R0	20	350	0.64	1.0	ET2836H-802Y2R0	8	200	0.18	2.0
ET2430V-103Y1R2	10	250	0.38	1.2	ET2836H-562Y2R5	5.6	200	0.13	2.5
ET2430V-452Y1R5	4.5	150	0.19	1.5	ET2836H-472Y2R8	4.7	150	0.10	2.8
ET2430V-392Y1R8	3.9	150	0.15	1.8	ET2836H-332Y3R0	3.3	100	0.088	3.0
ET2430V-332Y2R0	3.3	100	0.11	2.0	ET2836H-182Y4R0	1.8	40	0.05	4.0
ET2430V-242Y2R5	2.4	95	0.09	2.5					

PHYSICAL CHARACTERISTICS:



TECHNICAL INFORMATION:

- Max operating voltage: 250V at 40°C
 - IDC Max: rating AC/DC current A @ 40°C
 - Hi-Pot 2500V AC winding to winding 3S.
 - Insulation resistance 100MΩ Min DC 500V
 - Temperature Rise Max: 40°C
 - Inductance Testing: 10KHz 0.1V HP4284A
 - RDC: QuadTech 1880 Milliohm meter
 - Surge current Max 10ms: 20X IDC
 - Operating temperature: -40°C to +105°C
 - Storage Temperature: -40°C to +105°C
 - Resistance to soldering heat: 260°C for 10 seconds
 - Marking: Part number and date code
- Note: All specifications subject to change without notice.