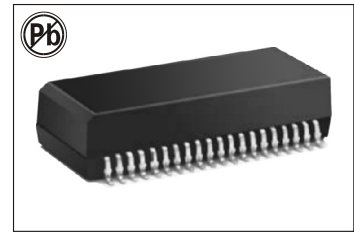


# 10/100 BASE-TX MAGNETICS MODULES

## HS1164



### FEATURES:

- Compliant with IEE 802.3u and ANSI X.3.263 Standards including 350uH OCL with 8mA bias
- Cable interface for isolation and low common mode emissions

### OPTIONS:

- Tape & Reel is Standard
- Bulk upon request

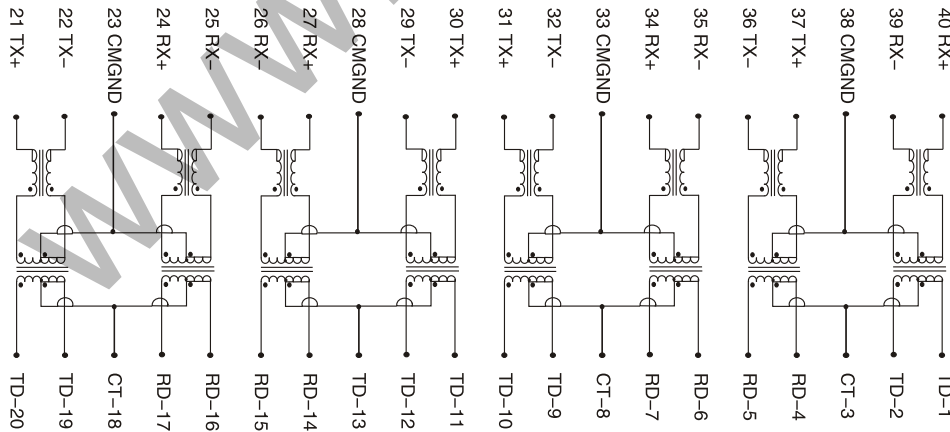
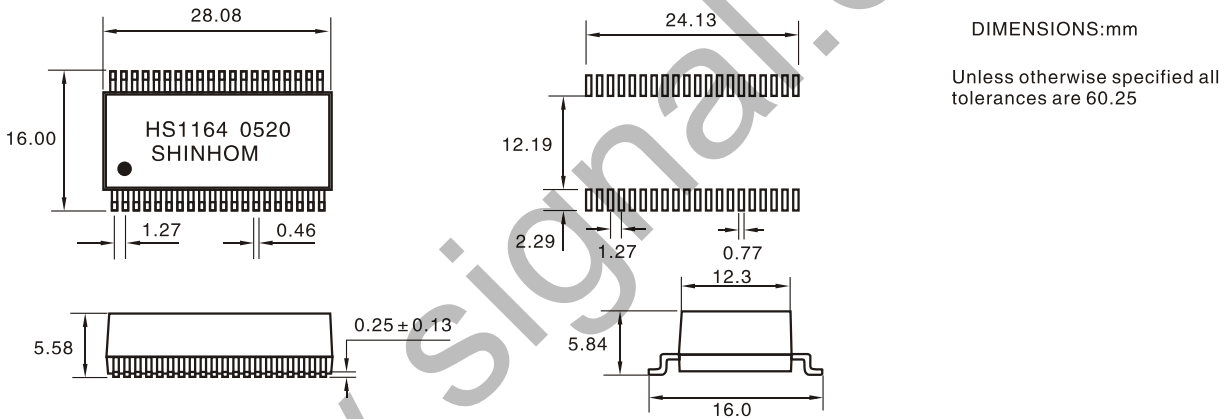
### COMMON APPLICATIONS:

- Symmtria TX and RX channels for auto MDI/MDIX capability.
- Approved for use with Broadcom BCM5226/BCM5228 and Level One LXT9784
- Multiport Repeater & Ethernet Switching HUB

## ELECTRICAL SPECIFICATION @25°C–Operating Temperature 0°C to 70°C

Part number	Turns Ratio ( $\pm 2\%$ )	Insertion Loss (Max)	Return Loss (dB Min)					Crosstalk (dB Min)				Differential to Common Mode Rejection(dB Min)		Hipot (Vrms Min)
			0.1–100MHz	2–30MHz	40MHz	50MHz	60–80MHz	1kHz	30MHz	60MHz	100MHz	1–60MHz	60–200MHz	
HS1164	1CT:1CT	-1.0	-18	-14.4	-13.1	-12	-55	-45	-40	-33	-37	-25	1500	

## TECHNICAL INFORMATION & PHYSICAL CHARACTERISTICS:



- OCL:350  $\mu$ H Min 8mA DC bias (line side)
- Hi-Pot:1500 VRMS Min
- Soldering methods:Wave,Reflow
- Operating Temperature:0°C to 70°C
- Storage Temperature:-25°C to 85°C

Note: All specifications subject to change without notice.