

# 1000 BASE-T MAGNETICS MODULES

## HS 2410, 2411

### FEATURES:

- 1:1 Turns Ratio
- Full Duplex Compatible
- PoE MAGNETICS
- Compliant with IEEE802.3u and ANSI X.3.263 standards including 350 uH OCL with 8mA bias.

### OPTIONS:

- Bulk Packaging is Standard
- Custom Design Available
- Thru Hole Available

### COMMON APPLICATIONS:

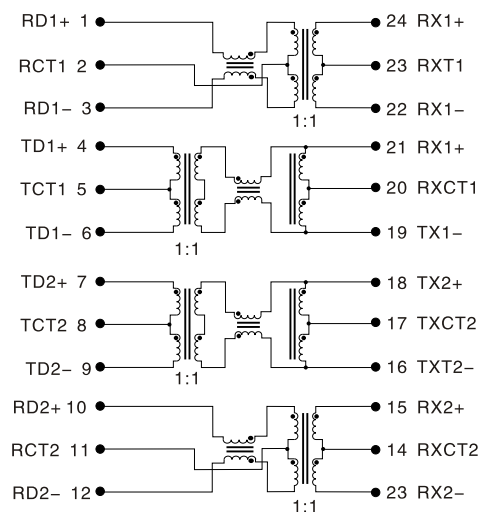
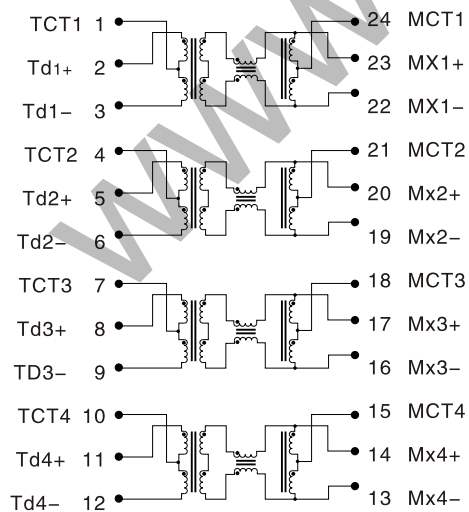
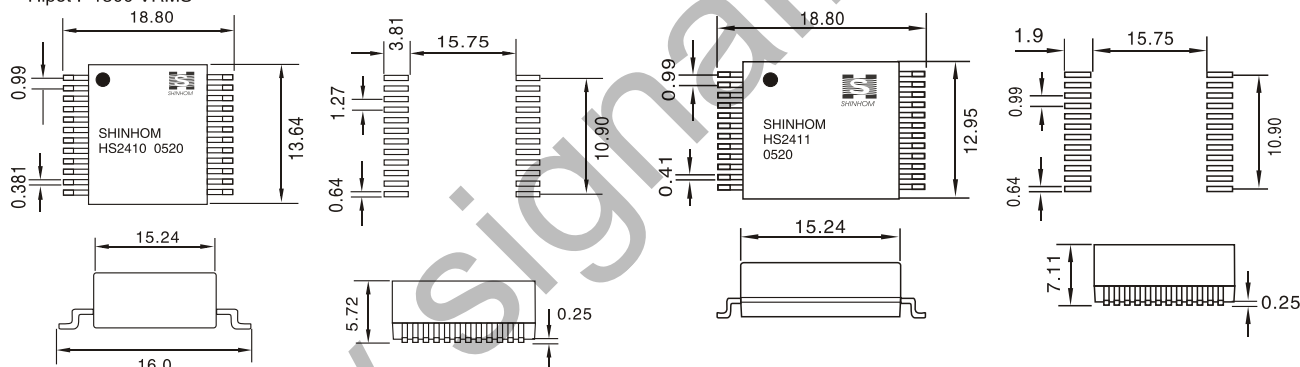
- Cable interface for isolation and low common mode emissions.
- Designed to fit behind 1x1 RJ45 connector.
- HS2411 Designed for IP phone or Switch

### ELECTRICAL SPECIFICATION @25°C–Operating Temperature 0°C to 70°C

Part number	Turns Ratio (± 2%)	Insertion Loss (Max)	Return Loss (dB Min)					Crosstalk (dB Min)				Differential to Common Mode Rejection(dB Min)		Hipot (Vrms Min)
			0.1–100MHz	2–30MHz	40MHz	50MHz	60–80MHz	1kHz	30MHz	60MHz	100MHz	1–60MHz	60–200MHz	
HS2410	1CT:1CT	-1.0	-18	-14.4	-13.1	-12	-65	-50	-40	-35	-40	-35	1500	
HS2411	1CT:1CT	-1.2	-16	-14.0	-13.0	-12	-43	-37	-33	-50	-43	-35	1500	

### TECHNICAL INFORMATION & PHYSICAL CHARACTERISTICS:

- Primary OCL Tx & Rx: 350 μ H Min @ Idc=8mA
- Hipot : 1500 VRMS



- Soldering methods: Wave, Reflow
- Operating Temperature: 0°C to 70°C
- Storage Temperature: -55°C to 125°C

### DIMENSIONS: mm

Unless otherwise specified all tolerances are +/-0.25

Note: All specifications subject to change without notice.