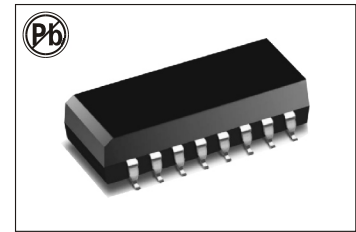


1000 BASE-T TRANSFORMER MODULES

HS 16008S, 16009S



FEATURES:

- Compliant with IEE 802.3u and ANSI X.3.263 Standards including 350uH OCL with 8mA bias
- Cable interface for isolation and low common mode emissions
- Meet FCC Class B Approval.
- SMT Pick & Place Available

OPTIONS:

- Bulk Packaging is Standard
- Custom Design Available
- Thru Hole Available

COMMON APPLICATIONS:

- Cable interface for isolation and low common mode emissions.
- Designed to fit with Intel, Panasonic, Asus, Semiconductor.
- Designed for reflow soldering at temperature up to 234°C non-RoHS, 260°C RoHS.

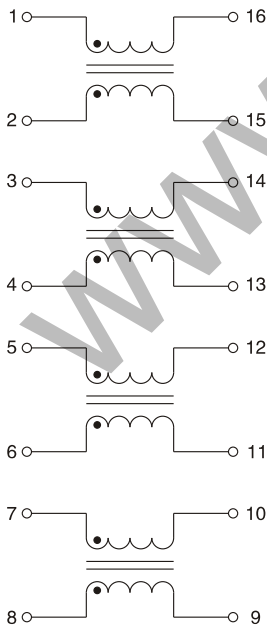
ELECTRICAL SPECIFICATION @25°C–Operating Temperature 0°C to 70°C

Part No.	Turns Ratio	Insertion Loss (dB Max) 100K–100MHz	Return Loss (dB Min @ 100 Ω)				Crosstalk (db Type)			Differential to common mode rejection (dBMIN)			Isolation Voltage (Vrms)
	Rx:Tx		0.5–30 MHz	40 MHz	50 MHz	60–80 MHz	30 MHz	60 MHz	100 MHz	30 MHz	50 MHz	100 MHz	
	± 2% Max												
HS16008S	1CT:1CT	-0.1	-18	-16	-14	-12	-35	-35	-35	-40	-40	-40	1500CT
HS16009S	1:1:1:1:1:1:1:1	-0.1	-20	-20	-18	-14	-50	-40	-40	-42	-36	-33	1500CT

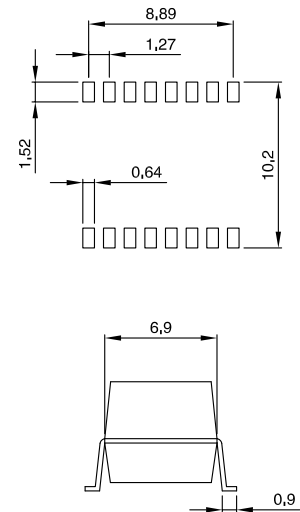
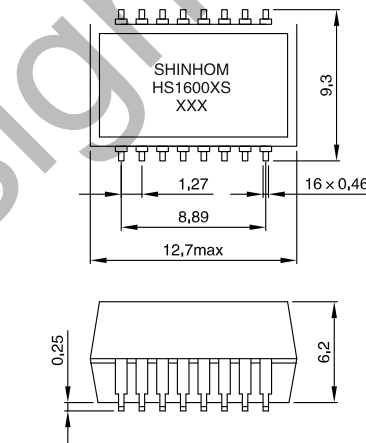
TECHNICAL INFORMATION & PHYSICAL CHARACTERISTICS:

- Dimension: Inch/mm
- Isolation Hi-pot: 1500Vrms(pri/sec)
- Soldering methods: Wave, Reflow
- Operating Temperature: 0°C to 70°C
- Storage Temperature: -55°C to 125°C

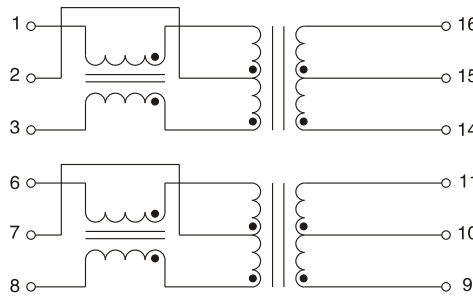
Note: All specifications subject to change without notice.



HS16009S



Dimensions in mm



HS16008S

Unless otherwise specified all tolerances are ± 0.25