

HIGH CURRENT SURFACE-MOUNT CERAMIC WIRE-WOUND INDUCTORS

LQH1210C SERIES

FEATURES:

- Ceramic Core
- High Frequency Design
- Lower DCR permits High Idc
- Available in E12 series
- Excellent Q SRF Values
- Lead free versions
- RoHS compliant
- Excellent Thermal Stability

OPTIONS:

- Tape & Reel is Standard (Qty:2000pcs.)
- Bulk packaging Available for Smaller Quantities
- Tolerance:K=10%,M=20% is Standard, Tighter Tolerances Available

COMMON APPLICATIONS:

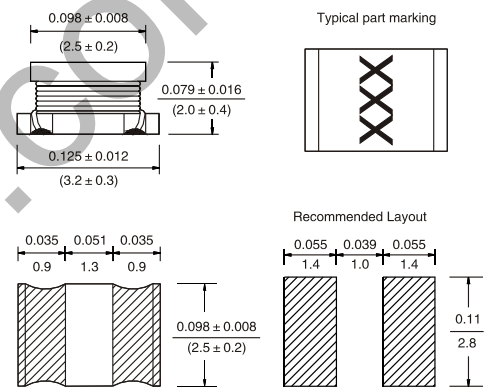
- Modems PDP. LCD TVs convertor
- Mobile Radios DC/DC convertor
- Cordless Telephones Car radios
- Global Positioning Systems
- Wireless Communications Equipment
- Networking System,xDSL Filter
- Computer Products and Peripherals

STANDARD SPECIFICATION

Part Number (LQH 1210 Series)	L (μH)	L Test Freq (KHz)	Q (Min)	Q Test Freq (MHz)	SRF (MHz)	DCR (Ω Max)	IDC (mA Max)
LQH-1210C-1R0M	1.0	1	10	1	96	0.117	800
LQH-1210C-2R2M	2.2	1	10	1	64	0.169	600
LQH-1210C-4R7M	4.7	1	10	1	43	0.260	450
LQH-1210C-100K	10	1	20	1	26	0.572	300
LQH-1210C-220K	22	1	20	1	19	0.923	250
LQH-1210C-470K	47	1	20	1	15	1.69	170
LQH-1210C-101K	100	1	30	0.796	10	4.55	100
LQH-1210C-221K	220	1	30	0.796	6.8	10.9	70
LQH-1210C-331K	330	1	30	0.796	5.6	13.0	60
LQH-1210C-391K	390	1	30	0.796	5.0	22.1	60
LQH-1210C-471K	470	1	30	0.796	5.0	24.7	60
LQH-1210C-561K	560	0.001	30	0.796	5.0	28.6	60

Note: 1. K= ± 10%,M= ± 20%

PHYSICAL CHARACTERISTICS



DIMENSIONS: $\frac{\text{INCHES}}{\text{mm}}$

ELECTRONICAL SCHEMATIC



TECHNICAL INFORMATION

- Inductance Testing: HP4291A, HP16193A, HP4286A or equivalent
- RDC: QuadTech 1880 Milliohm meter
- Q- HP4342A
- SRF- HP4191A
- Rated Current L value drop 10% typ. at IDC against its initial value
- Temperature rise 40°C Max Reference ambient temperature
- Solderability: 75% of the terminal electrode shall be covered
- Soldering Methods: Wave, Reflow
- Operating Temperature: -25°C to +85°C
- Storage Temperature: -55°C to +125°C

Note: All specifications subject to change without notice.

LQH1210C-100M

Model _____

Value/Tolerance: from table _____

Termination _____

L=Ag/Ni/Sn
Blank=Ag/Ni/Sn/Pb