

SURFACE-MOUNT POWER WOUND CHIP INDUCTORS

SPI-0603 SERIES

0603S,0603T

FEATURES:

- Current up to 1.34A
- High Frequency design
- Heat Resistant Molded Resin
- Excellent Mechanical Strength
- Excellent Solderability
- Low Profile, Low cost
- Low DCR

OPTIONS:

- Packaging:Tape \$ Reel is standard (Qty:2000pcs.)
Bulk packaging Available for Smaller Quantities
- Tolerance:K=10%,M=20% is Standard,Tighter Tolerances Available

COMMON APPLCATIONS:

- Power supply for VTRs .
- OA equipment.
- LCD televisions.
- Notebook PCs.
- Portable communication equipment.
- DC/DC converters,etc.

ELECTRICAL CHARACTERISTICS:

Part Number	L (μ H)	Tol %	Q Min	DCR Ω Max	IDC Max A	Test Freq kHz
SPI-0603T-1R0K	1.0	± 10	35	0.072	1.34	100
SPI-0603T-1R5K	1.5	± 10	35	0.084	1.22	100
SPI-0603T-2R2K	2.2	± 10	35	0.108	1.08	100
SPI-0603T-3R3K	3.3	± 10	35	0.134	0.97	100
SPI-0603T-4R7K	4.7	± 10	40	0.160	0.91	100
SPI-0603T-6R8K	6.8	± 10	40	0.197	0.79	100
SPI-0603T-100K	10.0	± 10	40	0.330	0.63	100
SPI-0603T-120K	12.0	± 10	40	0.350	0.59	100
SPI-0603T-150K	15.0	± 10	40	0.400	0.56	100
SPI-0603T-180K	18.0	± 10	40	0.450	0.51	100
SPI-0603T-220K	22.0	± 10	40	0.534	0.47	100
SPI-0603T-270K	27.0	± 10	40	0.618	0.43	100
SPI-0603T-330K	33.0	± 10	50	0.903	0.37	100
SPI-0603T-390K	39.0	± 10	50	1.010	0.4	100
SPI-0603T-470K	47.0	± 10	50	1.355	0.29	100
SPI-0603T-560K	56.0	± 10	50	1.515	0.28	100
SPI-0603T-680K	68.0	± 10	50	1.713	0.26	100
SPI-0603T-820K	82.0	± 10	50	2.312	0.22	100
SPI-0603T-101K	100.0	± 10	50	2.640	0.21	100
SPI-0603T-121K	120.0	± 10	50	3.502	0.19	100
SPI-0603T-151K	150.0	± 10	50	4.132	0.17	100
SPI-0603T-181K	180.0	± 10	50	4.534	0.16	100
SPI-0603T-221K	220.0	± 10	50	6.646	0.13	100
SPI-0603T-271K	270.0	± 10	50	7.523	0.12	100
SPI-0603S-101M	100	± 20	30	0.65	32.0mA	100
SPI-0603S-151M	150	± 20	35	0.80	28.0mA	100
SPI-0603S-221M	220	± 20	35	1.10	22.0mA	100
SPI-0603S-331M	330	± 20	35	1.30	16.0mA	100
SPI-0603S-471M	470	± 20	35	1.90	14.0mA	100
SPI-0603S-681M	680	± 20	35	2.50	11.0mA	100
SPI-0603S-102M	1000	± 20	35	3.10	9.0mA	100
SPI-0603S-152M	1500	± 20	35	5.30	8.0mA	100
SPI-0603S-222M	2200	± 20	35	8.40	7.0mA	100
SPI-0603S-332M	3300	± 20	35	10.10	5.0mA	100
SPI-0603S-472M	4700	± 20	35	13.0	4.0mA	100

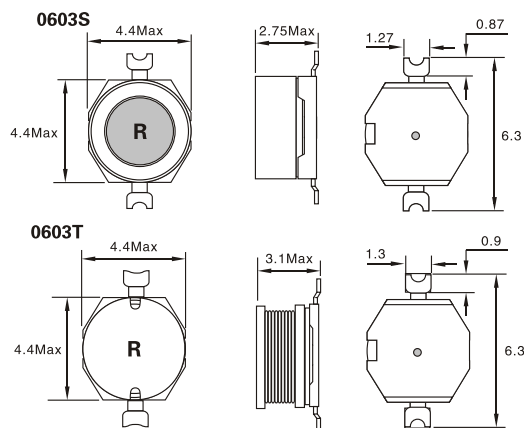
Note: 1. K= $\pm 10\%$,M= $\pm 20\%$,N= $\pm 30\%$

TECHNICAL INFORMATION:

- Testing: (Equivalent acceptable)
Inductance:HP4284A
RDC:QuadTech 1880
Milliohmimeter -Q- HP4342A - SRF-HP4191A
 - IDC Max:Determined when superimposed
DC current is decreased 10% against its initial value
 - Operating temperature: -40°C to $+105^{\circ}\text{C}$
 - Storage Temperature: -40°C to $+105^{\circ}\text{C}$
 - Solder methods: Vapor Phase,Infrared Reflow
 - Resistance to soldering heat: 260°C for 10 seconds
 - Solvent resistance: Conforms to MIL-STD-202E
 - Marking: Inductance & Tolerance
- Note:All specifications subject to change without notice.

PHYSICAL CHARACTERISTICS:

DIMENSIONS IN: mm



(Unit:mm)