

LARGE CAN TYPE

MP

Series

Screw Terminal, Wide Temperature Range

JAMICON®

- High temperature 85°C, high ripple current and high reliability.
- Long life for 5000 hours.



● SPECIFICATION

Item	Characteristic			
Operation Temperature Range	-40 ~ +85°C			
Rated Working Voltage	350 ~ 450VDC			
Capacitance Tolerance (120Hz 20°C)	±20%(M)			
Leakage Current (20°C)	I ≤ 0.02CV or 5 (mA) I : Leakage Current (μA)		*Whichever is smaller after 5 minutes C : Rated Capacitance (μF) V : Working Voltage (V)	
Surge Voltage (20°C)	W.V.	350	400	450
	S.V.	400	450	500
Dissipation Factor (tan δ) (120Hz 20°C)	W.V.	350	400	450
	tan δ	0.15	0.15	0.15
Low Temperature Stability	Impedance ratio at 120Hz			
	Rated Voltage (V)	350~450		
	-25°C / +20°C	8		
Load Life	After 5000 hours application of W.V. and +85°C ripple current value, the capacitor shall meet the following limits. (DC + ripple peak voltage ≤ rate working voltage)			
	Capacitance Change	≤ ±20% of initial value		
	Dissipation Factor	≤ 200% of initial specified value		
	Leakage current	≤ initial specified value		
Shelf Life	At +85°C no voltage application after 1000 hours, the capacitor shall meet the limits for load life characteristics. (with voltage treatment)			

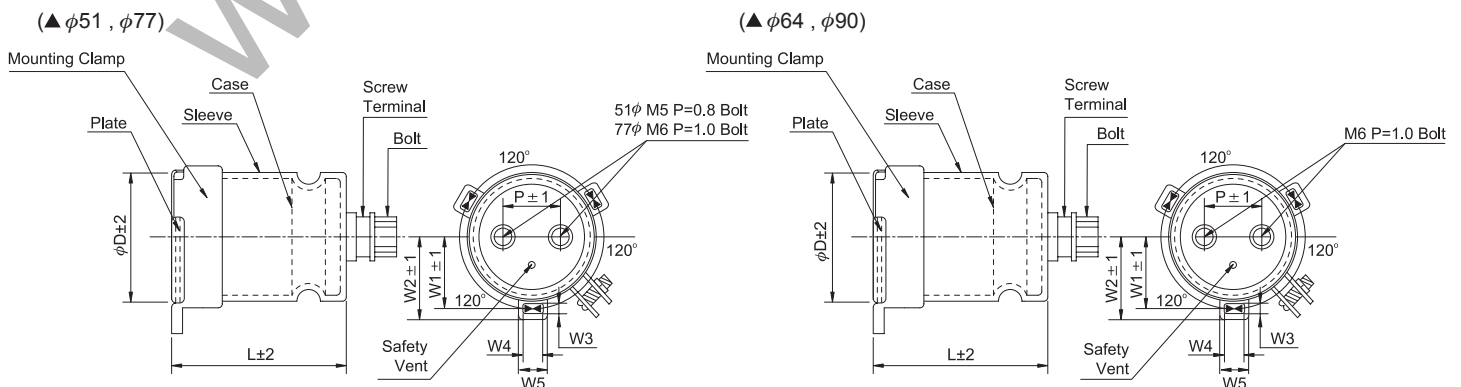
● TERMINAL TYPE

φD	W1	W2	W3	W4	W5	P
51	32.5	37.5	4.5	7.0	13.0	22.0
64	38.5	42.8	4.5	7.0	13.0	28.5
77	44.8	49.0	4.5	7.0	13.0	32.0
90	52.3	58.8	5.0	8.0	16.0	32.0

● RIPPLE CURRENT COEFFICIENTS

Frequency(Hz)	60	120	300	1k	≥10k
Multiplier	0.70	1.00	1.10	1.30	1.40

Temperature(°C)	40	60	85
Multiplier	1.89	1.67	1.00



● CASE SIZE & MAX RIPPLE CURRENT

Case size : D x L (mm)
 Max ripple current : A(rms) 85°C 120Hz

μF	V(Code) Code φD	350 (2V)				400 (2G)				450 (2W)			
		51	64	77	90	51	64	77	90	51	64	77	90
1000	102					75				75			
						4.76				4.99			
1200	122	75				75				96			
		5.21				5.21				6.09			
1500	152	75				96				115			
		5.82				6.48				7.38			
1800	182	96				96				130			
		7.10				7.10				8.54			
2200	222	96				130				96			
		7.85				8.99				8.93			
2700	272	130					96			115			
		9.97					9.64			10.69			
3300	332	130					115			130			
		11.02					11.53			12.48			
3900	392		115				130			155	115		
			12.53				13.23			14.68	13.56		
4700	472	130					155	115		195	130		
		14.53					15.72	14.10		17.91	15.69		
5600	562	155	115				195	130				155	
		17.16	15.39				19.06	16.23				18.51	
6800	682	195	130					155					157
		21.00	17.88					19.33					21.21
8200	822		155						157				157
			21.22						22.64				23.29
10000	103			157					157				196
				25.00					25.00				28.37
12000	123			157					196				236
				27.39					30.22				33.80
15000	153			196					236				
				33.78					36.74				
18000	183			236									L(mm)
				40.25									R.C.

