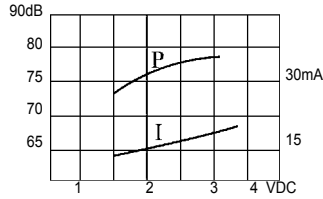
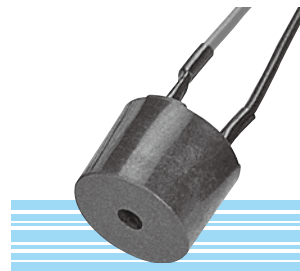


KPX-1203AL SERIES MAGNETIC BUZZER



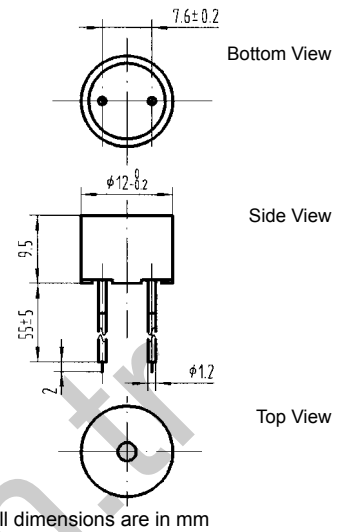
Model No	KPX-1203AL
Rated Voltage	3VDC
Operating Voltage	2~5VDC
Max. Rated Current	30mA/3VDC
Min. Sound Pressure Level	80dB/10cm
Resonant Frequency	2300±300Hz
Operating Temperature	-20~+70 °C
Weight	2g

* Value applying at rated voltage



color Black
PBT Housing Material
Lead Terminal

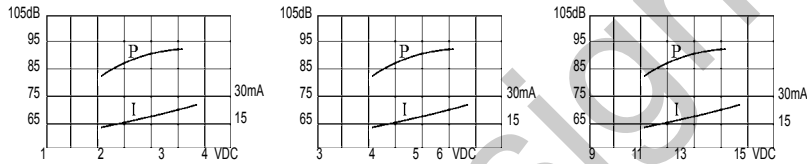
DIMENSIONS



all dimensions are in mm

KPX-1200UB SERIES MAGNETIC BUZZER

Model No	KPX-203UB	KPX-1205UB	KPX-1212UB
Rated Voltage	3VDC	5VDC	12VDC
Operating Voltage	2~5VDC	4~8VDC	8~15VDC
Max. Rated Current	30mA / 3VDC	30mA/5VDC	30mA /12VDC
Min. Sound Pressure Level	85dB / 10cm	85dB / 10cm	85dB / 10cm
Resonant Frequency	2300±500Hz	2300±500Hz	2300±500Hz
Operating Temperature	-20~+70 °C	-20~+70 °C	-20~+70 °C
Weight	2g	2g	2g

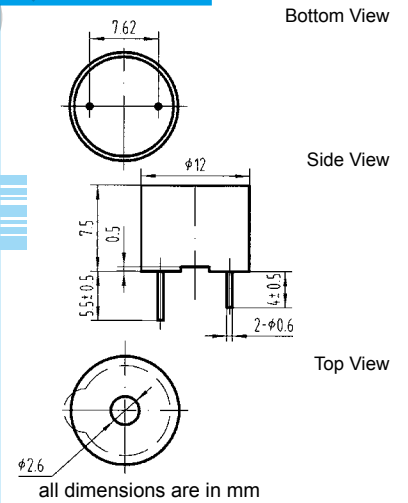


* Value applying at rated voltage



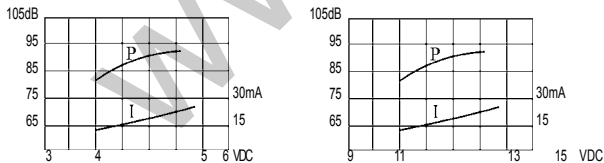
color Black
PBT Housing Material
Pin Terminal

DIMENSIONS



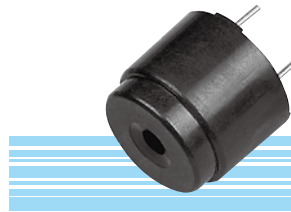
all dimensions are in mm

KPX-1605A KPX-1612A SERIES MAGNETIC BUZZER



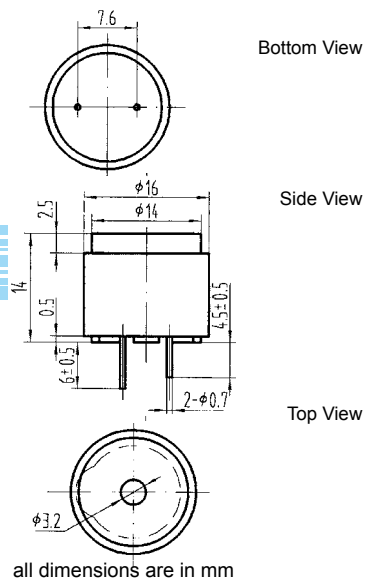
Model No	KPX-1605A	KPX-1612A
Rated Voltage	5VDC	12VDC
Operating Voltage	4~8VDC	8~15VDC
Max. Rated Current	3mA/5VDC	30mA/12VDC
Min. Sound Pressure Level	85dB/10cm	85dB/10cm
Resonant Frequency	2300±300Hz	2300±300Hz
Operating Temperature	-20~+70 °C	-20~+70 °C
Weight	7g	7g

* Value applying at rated voltage



color Black
MPPPO Housing Material
Pin Terminal

DIMENSIONS



all dimensions are in mm

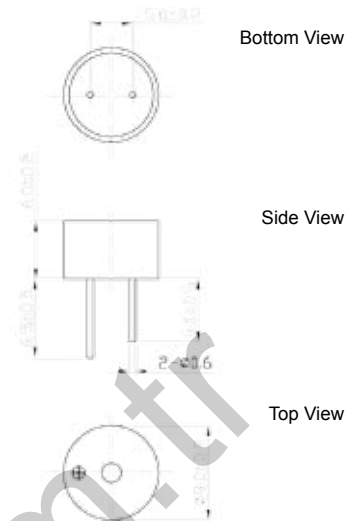
KPX-0905B KPX-0903B SERIES MAGNETIC BUZZER

DIMENSIONS



color Black
MPPO Housing Material
Pin Terminal

Model No	KPX-0905B	KPX-0903B
Rated Voltage	5VDC	3VDC
Operating Voltage	4~8VDC	2~4VDC
Max. Rated Current	30mA /5VDC	30mA /3VDC
Min. Sound Pressure Level	80dB/10cm	78dB/10cm
Resonant Frequency	2500±300Hz	2500±300Hz
Response Time	50ms	50ms
Case Material	PBT	PBT
Operating Temperature	-20~+70 °C	-20~+70 °C
Store Temperature	-30~+80 °C	-30~+80 °C
Weight	1.0g	1.0g

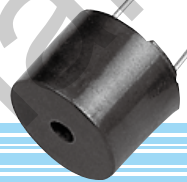


all dimensions are in mm

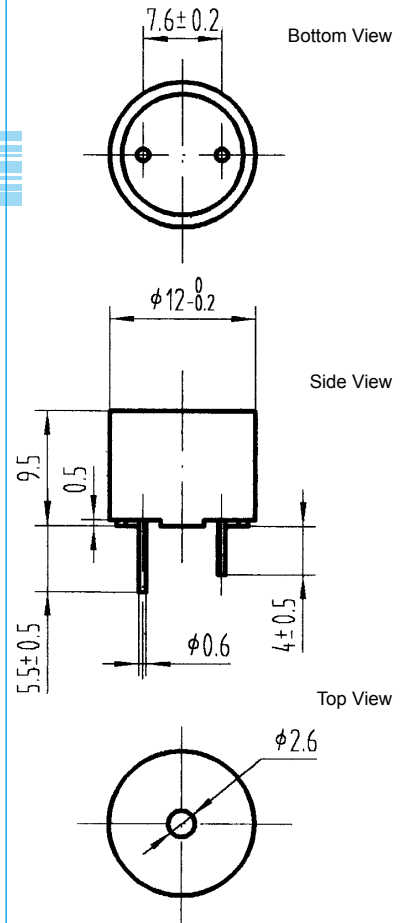
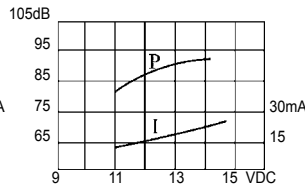
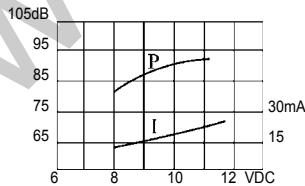
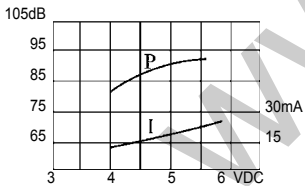
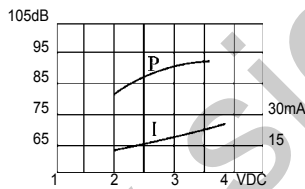
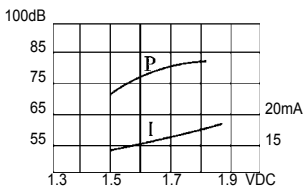
* Value applying at rated voltage

KPX-1200A SERIES MAGNETIC BUZZER

DIMENSIONS



color Black
PBT Housing Material
Pin Terminal

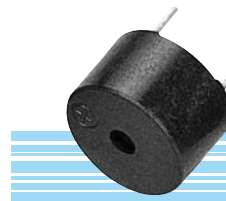
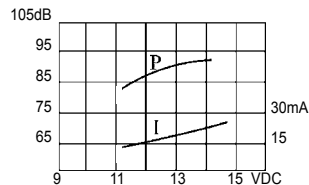
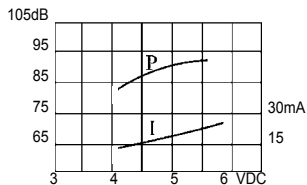
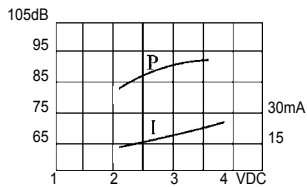


all dimensions are in mm

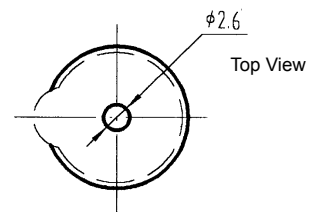
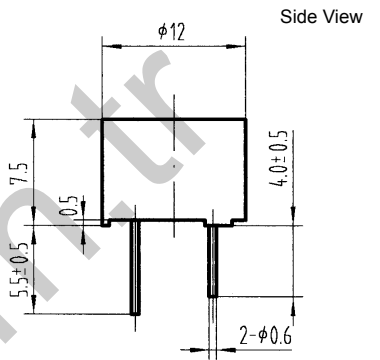
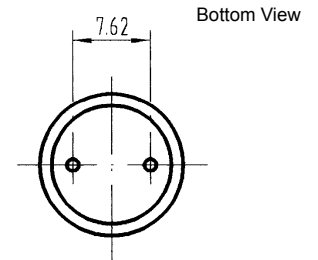
Model No	KPX-1201A	KPX-1203A	KPX-1205A	KPX-1209A	KPX-1212A
Rated Voltage	1.5VDC	3VDC	5VDC	9VDC	12VDC
Operating Voltage	1~2VDC	2~5VDC	4~8VDC	7~12VDC	8~15VDC
Max. Rated Current	20mA /1.5VDC	30mA/3VDC	30mA /5VDC	30mA/12VDC	30mA /12VDC
Min. Sound Pressure Level	75dB /10cm	80dB/10cm	85dB /10cm	85dB /10cm	85dB /10cm
Resonant Frequency	2300±300Hz	2300±300Hz	2300±300Hz	2300±300Hz	2300±300Hz
Operating Temperature	-20~+70 °C	-20~+70 °C	-20~+70 °C	-20~+70 °C	-20~+70 °C
Weight	2g	2g	2g	2g	2g

KPX-1203B KPX-1205B KPX-1212B SERIES
MAGNETIC BUZZER

DIMENSIONS



color Black
 PBT Housing Material
 Pin Terminal



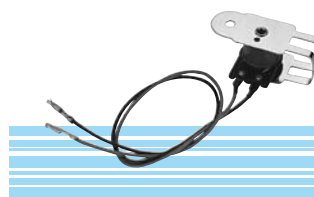
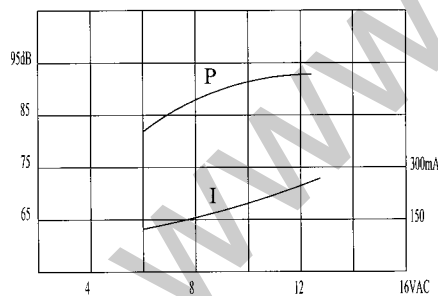
all dimensions are in mm

Model No	KPX-1203B	KPX-1205B	KPX-1212B
Rated Voltage	3VDC	5VDC	12VDC
Operating Voltage	2~5VDC	4~8VDC	8~15VDC
Max. Rated Current	30mA/3VDC	30mA/5VDC	30mA/12VDC
Min. Sound Pressure Level	85dB/10cm	85dB/10cm	85dB/10cm
Resonant Frequency	3100±500Hz	3100±500Hz	3100±500Hz
Operating Temperature	-20~+70 °C	-20~+70 °C	-20~+70 °C
Weight	2g	2g	2g

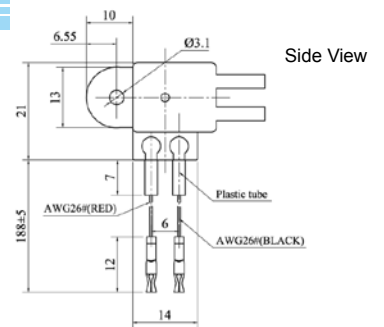
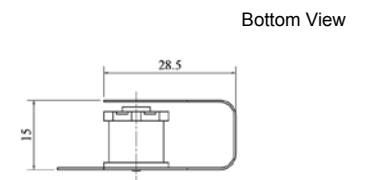
* Value applying at rated voltage

KPMB-38012LC SERIES MECHANICAL BUZZER

DIMENSIONS



color black
 ABS Housing Material
 Lead Terminal



all dimensions are in mm

Model No	KPMB-38012LC
Rated Voltage	12VAC/50Hz
Operating Voltage	10.5 ~ 13.5VAC/50Hz
Max. Rated Current	250mA at 12VAC
Coil Resistance	54.5 ±10%
Min. Sound Pressure Level	75dB at 12VAC/20cm
Housing Material / Color	ABS/Black
Operating Temperature	-20 ~ +60 °C
Store Temperature	-30 ~ +70 °C
Weight	11g

* Value applying at rated voltage