

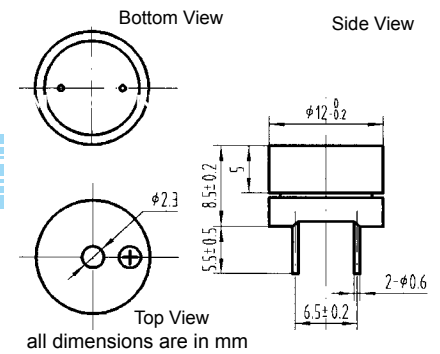
## KP12-185A/B/C SERIES MAGNETIC BUZZER

Model No	KP12-185A	KP12-185B	KP12-185C
Rated Voltage	1.5V	1.5V	1.5V
Operating Voltage	1-2V	1-2V	1-2V
Max. Rated Current	30mA	10 mA	10 mA
Coil Resistance(DC)	16±4Ω	42±6Ω	50±7.5Ω
Coil Impedance(AC)	40Ω	120Ω	120Ω
Min. Sound Pressure Level	-20~+70 °C	-20~+70 °C	-20~+70 °C
Weight	2g	2g	2g

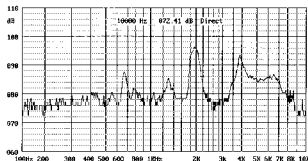


color Black  
Noryl Housing Material  
Pin Terminal

### DIMENSIONS

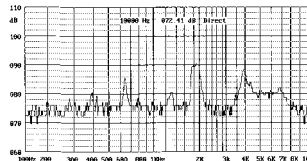


FREQUENCY RESPONSE  
[actual curve of type]



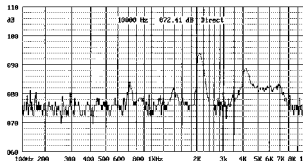
applied voltage: 1.5 v. 1/2 duty, square wave  
distance for measurement: 10cm

FREQUENCY RESPONSE  
[actual curve of type]



applied voltage: 1.5 v. 1/2 duty, square wave  
distance for measurement: 10cm

FREQUENCY RESPONSE  
[actual curve of type]

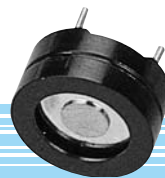


applied voltage: 1.5 v. 1/2 duty, square wave  
distance for measurement: 10cm

\* Value applying at rated voltage

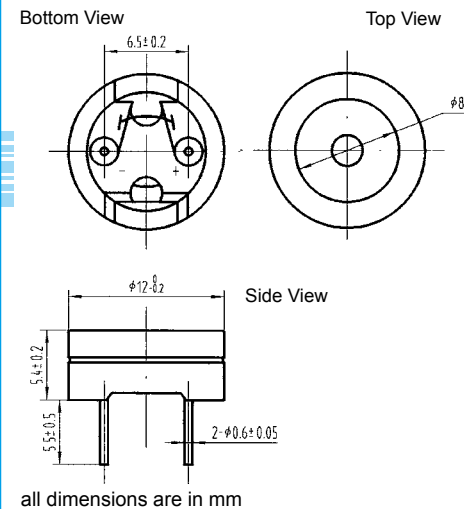
## KP12-105 SERIES MAGNETIC BUZZER

Model No	KP12-105A	KP12-105B
Rated Voltage	1.5V	1.5V
Operating Voltage	1-2V	1-2V
Max. Rated Current	30mA	10 mA
Coil Resistance(DC)	16±4Ω	42±6Ω
Coil Impedance(AC)	40Ω	120Ω
Min. Sound Pressure Level	75dB/10cm	70dB/10cm
Operating Temperature	-20~+70 °C	-20~+70 °C
Weight	2g	2g

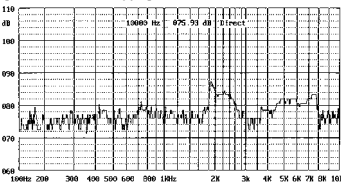


color Black  
MPPO Housing Material  
Pin Terminal

### DIMENSIONS

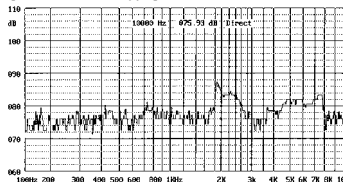


FREQUENCY RESPONSE  
[actual curve of type]



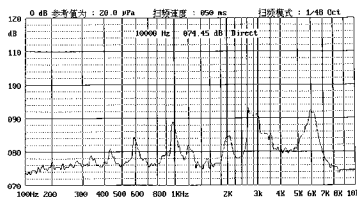
applied voltage: 1.5 v. 1/2 duty, square wave distance for measurement: 10cm

FREQUENCY RESPONSE  
[actual curve of type]



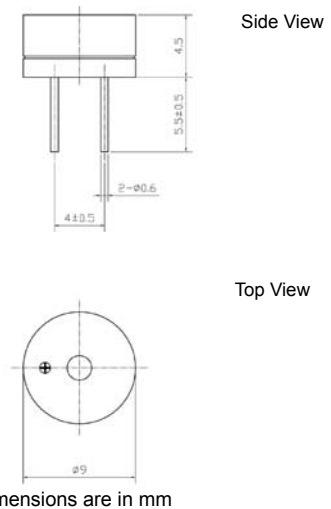
\* Value applying at rated voltage

## KPM-09F SERIES MAGNETIC BUZZER



color Black  
PBT Housing Material  
Pin Terminal

### DIMENSIONS

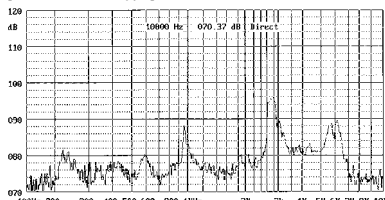


Model No	KPM-09F
Rated Voltage	1.5V
Operating Voltage	1 ~ 2V
Max. Rated Current	80mA
Min. Sound Pressure Level	85dB/10cm
Coil Resistance	5.5±1
Coil Impedance	9.0
Min. Sound Pressure Level	80dB/10cm
Rated Frequency	2731Hz
Housing Material/Color	PBT/Black
Operating Temperature	-20 ~ +70 °C
Store Temperature	-30 ~ +80 °C
Weight	2g

\* Value applying at rated voltage

## KPM-09-04B8 SERIES MAGNETIC BUZZER

### FREQUENCY RESPONSE [actual curve of type]

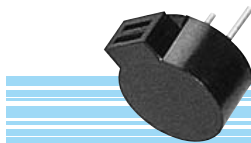


applied voltage: 1.5 v. 1/2 duty, square wave distance for measurement: 10cm

**Model No** KPM-09-04B8

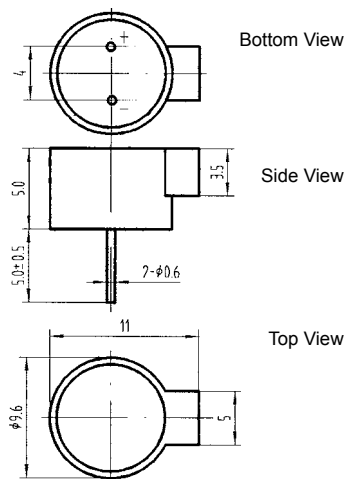
Rated Voltage	1.5V
Operating Voltage	1~2V
Max.Rated Current	80mA
Coil Resisatance (DC )	5.5±1Ω
Coil Impedance(AC)	9.5±3Ω
Min.Sound Pressure Level	80dB/10cm
Resonant Frequency	2731Hz
Operating Temperature	-20~+70 °C
Weight	2g

\* Value applying at rated voltage



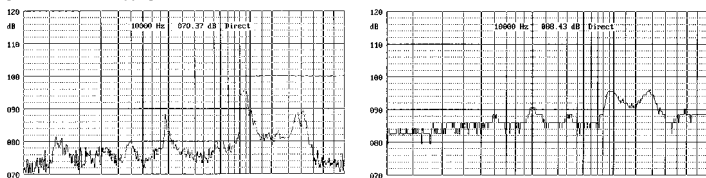
color Black  
PBT Housing Material  
Pin Terminal

### DIMENSIONS



## KPM-09-04B SERIES MAGNETIC BUZZER

### FREQUENCY RESPONSE [actual curve of type]

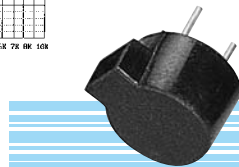


applied voltage: 1.5 v. 1/2 duty, square wave distance for measurement: 10cm

**Model No** KPM-09-04B3 KPM-09-04B4

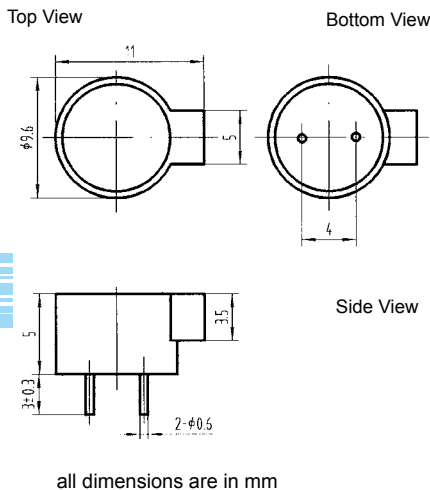
Rated Voltage	1.5V	1.5V
Operating Voltage	1-2V	1-2V
Max.Rated Current	80mA	80 mA
Coil Resisatance(DC)	5.5±1Ω	5.5±1Ω
Coil Impedance(AC)	9.5±3Ω	9.5±3Ω
Min.Sound Pressure Level	85dB/10cm	85dB/10cm
Resonant Frequency	2731Hz	3050Hz
Operating Temperature	-20~+70 °C	-20~+70 °C
Weight	1g	1g

\* Value applying at rated voltage



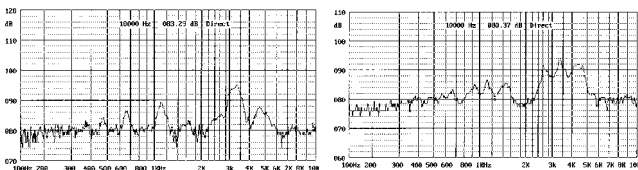
color Black  
PBT Housing Material  
Pin Terminal

### DIMENSIONS



## KPM-09A SERIES MAGNETIC BUZZER

### FREQUENCY RESPONSE [actual curve of type]

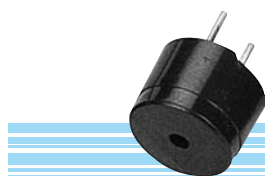


applied voltage: 1.5 v. 1/2 duty, square wave distance for measurement: 10cm

**Model No** KPM-09A KPM-09A1

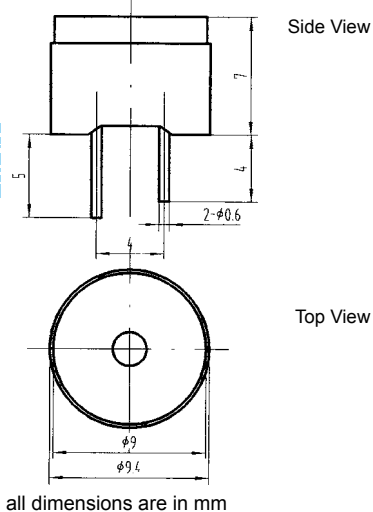
Rated Voltage	1.5V	1.5V
Operating Voltage	1-2V	1-2V
Max.Rated Current	80mA	80 mA
Coil Resisatance(DC)	5.5±1Ω	5.5±1Ω
Coil Impedance(AC)	9.5±3Ω	9.5±3Ω
Min.Sound Pressure Level	85dB/10cm	85dB/10cm
Resonant Frequency	3100Hz	2731Hz
Operating Temperature	-20~+70 °C	-20~+70 °C
Weight	1g	1g

\* Value applying at rated voltage



color Black  
PBT Housing Material  
Pin Terminal

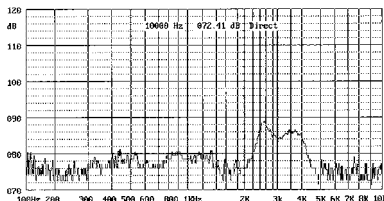
### DIMENSIONS



## KPM-09C SERIES MAGNETIC BUZZER

### FREQUENCY RESPONSE

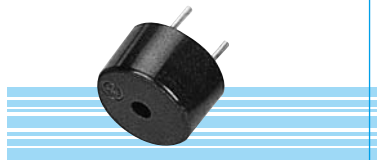
[actual curve of type]



applied voltage: 1.5 v. 1/2 duty, square wave distance for measurement: 10cm

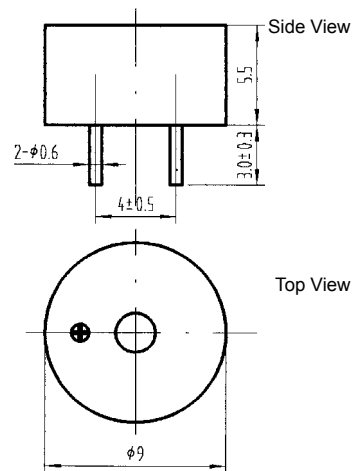
Model No	KPM-09C
Rated Voltage	1.5V
Operating Voltage	1~2V
Max.Rated Current	80mA
Coil Resistance(DC)	5.5±1Ω
Coil Impedance(AC)	9.5±3Ω
Min.Sound Pressure Level	80dB/10cm
Resonant Frequency	3100Hz
Operating Temperature	-20~+70 °C
Weight	1g

\* Value applying at rated voltage



color Black  
PBT Housing Material  
Pin Terminal

### DIMENSIONS

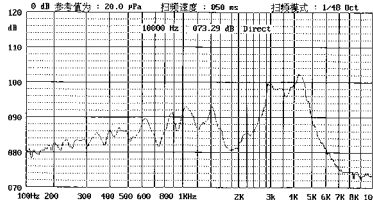


all dimensions are in mm

## KPM-1240A SERIES MAGNETIC BUZZER

### FREQUENCY RESPONSE

[actual curve of type]



applied voltage: 1.5 v. 1/2 duty, square wave distance for measurement: 10cm

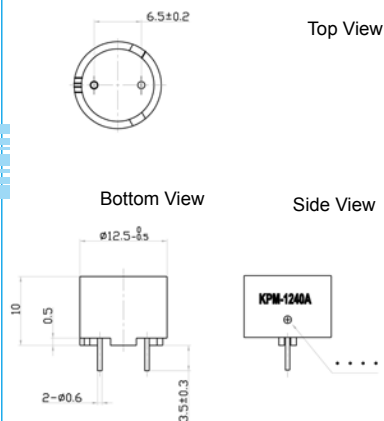
Model No	KPM-1240A
Rated Voltage	3V
Operating Voltage	2 ~ 15V
Coil Rated Current	16±4
Coil Impedance	40
Min.Sound Pressure Level	95dB/10cm
Rated Frequency	4000Hz
Housing Material/Color	PBT/Black
Operating Temperature	-20 ~ +70 °C
Store Temperature	-30 ~ +80 °C
Weight	2g

\* Value applying at rated voltage



color Black  
PBT Housing Material  
Pin Terminal

### DIMENSIONS

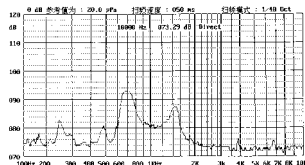


all dimensions are in mm

## KPM-2505A SERIES MAGNETIC BUZZER

### FREQUENCY RESPONSE

[actual curve of type]



applied voltage: 1.5 v. 1/2 duty, square wave distance for measurement: 10cm

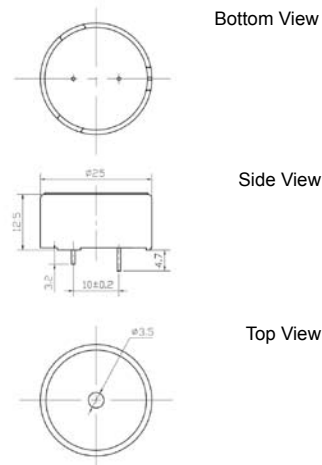
Model No	KPM-2505A
Rated Voltage	5V
Operating Voltage	4 ~ 8V
Max.Rated Current	80mA
Coil Rated Current	30±3
Coil Impedance	60±6
Min.Sound Pressure Level	85dB/10cm
Rated Frequency	730Hz
Housing Material/Color	PPO/Black
Operating Temperature	-20 ~ +70 °C
Store Temperature	-30 ~ +80 °C
Weight	8g

\*



color Black  
PPO Housing Material  
Pin Terminal

### DIMENSIONS



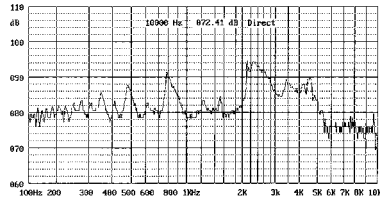
all dimensions are in mm

## KPM-1205A SERIES MAGNETIC BUZZER

### DIMENSIONS

#### FREQUENCY RESPONSE

[actual curve of type]



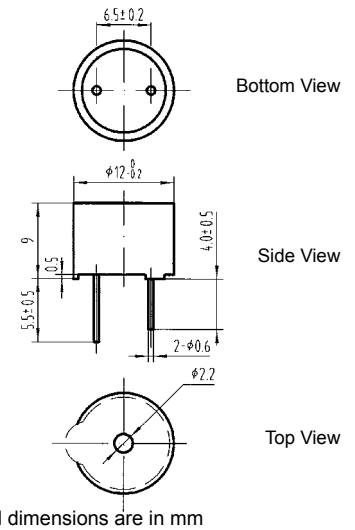
applied voltage: 5 V. 1/2 duty, square wave distance for measurement: 10cm

<b>Model No</b>	<b>KPM1205A</b>
Rated Voltage	5V
Operating Voltage	4~8V
Max.Rated Current	40mA
Coil Resistance(DC)	45±5Ω
Coil Impedance(AC)	80Ω
Min.Sound Pressure Level	80dB/10cm
Resonant Frequency	2400Hz
Operating Temperature	-20~+70 °C
Weight	2g

\* Value applying at rated voltage



color Black  
PBT Housing Material  
Pin Terminal

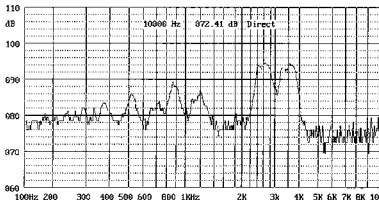


## KPM-1212A SERIES MAGNETIC BUZZER

### DIMENSIONS

#### FREQUENCY RESPONSE

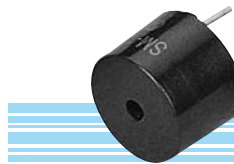
[actual curve of type]



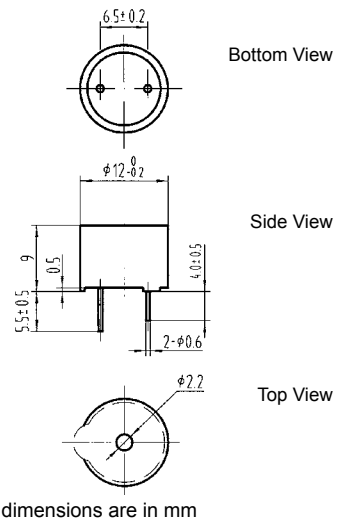
applied voltage: 12V. 1/2 duty, square wave distance for measurement: 10cm

<b>Model No</b>	<b>KPM-1212A</b>
Rated Voltage	12V
Operating Voltage	8~16V
Max.Rated Current	40mA
Coil Resistance(DC)	45±5Ω
Coil Impedance(AC)	80Ω
Min.Sound Pressure Level	80dB/10cm
Resonant Frequency	2400Hz
Operating Temperature	-20~+70 °C
Weight	2g

\* Value applying at rated voltage



color Black  
PBT Housing Material  
Pin Terminal



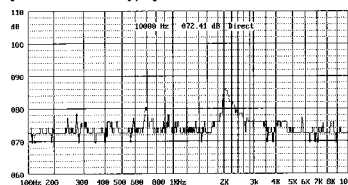
## KPM-1600A SERIES MAGNETIC BUZZER

### DIMENSIONS

Model No	KPM-1601A	KPM-1605A	KPM-1612A
Rated Voltage	1.5V	5V	12V
Operating Voltage	1~2V	4~8V	9~15V
Max.Rated Current	15mA	40 mA	40 mA
Coil Resistance(DC)	27±3Ω	50±5Ω	115±12Ω
Coil Impedance(AC)	80Ω	110Ω	200Ω
Min.Sound Pressure Level	80dB/10cm	85dB/10cm	85dB/10cm
Resonant Frequency	2048Hz	2048Hz	2048Hz
Operating Temperature	-20~+70 °C	-20~+70 °C	-20~+70 °C
Weight	7g	7g	7g

#### FREQUENCY RESPONSE

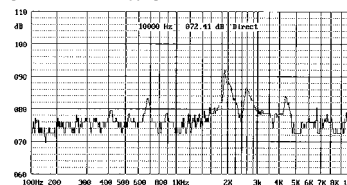
[actual curve of type]



applied voltage: 1.5V. 1/2 duty, square wave distance for measurement: 10cm

#### FREQUENCY RESPONSE

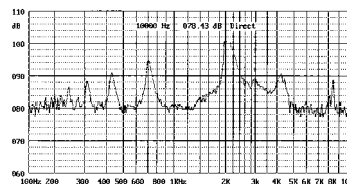
[actual curve of type]



applied voltage: 5V. 1/2 duty, square wave distance for measurement: 10cm

#### FREQUENCY RESPONSE

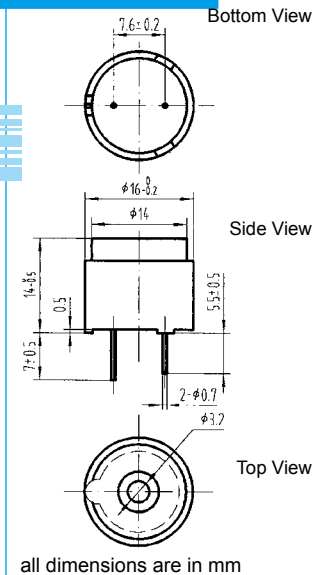
[actual curve of type]



applied voltage: 12V. 1/2 duty, square wave distance for measurement: 10cm



color Black  
MPPO Housing Material  
Pin Terminal

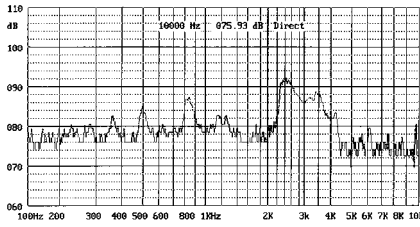


\* Value applying at rated voltage

**KPM-12XXA SERIES MAGNETIC BUZZER**

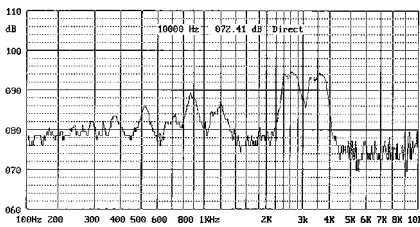
**DIMENSIONS**

**FREQUENCY RESPONSE**  
[actual curve of type]



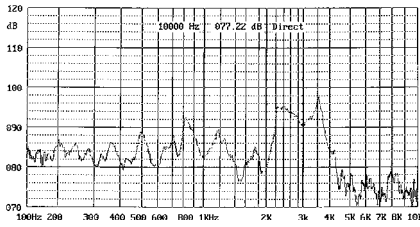
applied voltage: 1.5 v. 1/2 duty, square wave distance for measurement: 10cm

**FREQUENCY RESPONSE**  
[actual curve of type]



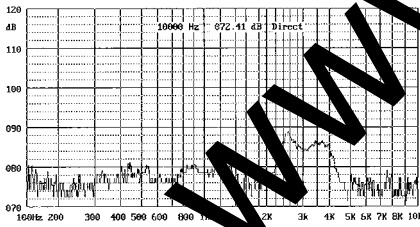
applied voltage: 1.5 v. 1/2 duty, square wave distance for measurement: 10cm

**FREQUENCY RESPONSE**  
[actual curve of type]



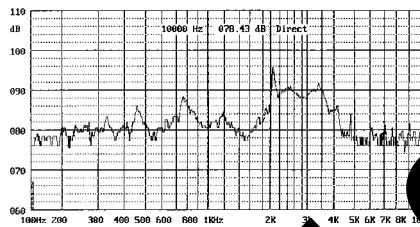
applied voltage: 1.5 v. 1/2 duty, square wave distance for measurement: 10cm

**FREQUENCY RESPONSE**  
[actual curve of type]



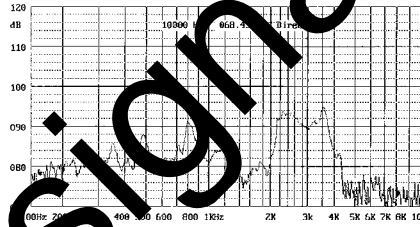
applied voltage: 1.5 v. 1/2 duty, square wave distance for measurement: 10cm

**FREQUENCY RESPONSE**  
[actual curve of type]



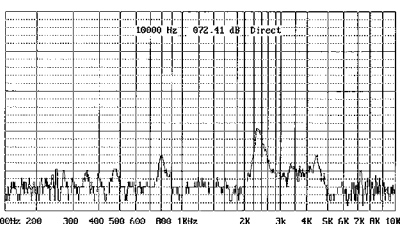
applied voltage: 1.5 v. 1/2 duty, square wave distance for measurement: 10cm

**FREQUENCY RESPONSE**  
[actual curve of type]



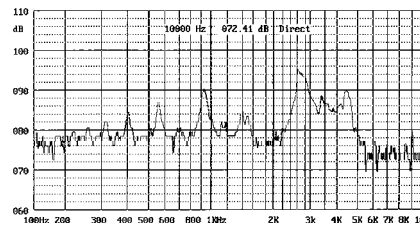
applied voltage: 1.5 v. 1/2 duty, square wave distance for measurement: 10cm

**FREQUENCY RESPONSE**  
[actual curve of type]

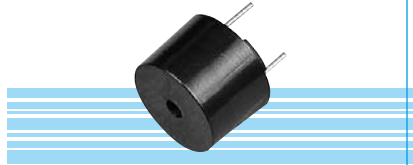


applied voltage: 1.5 v. 1/2 duty, square wave distance for measurement: 10cm

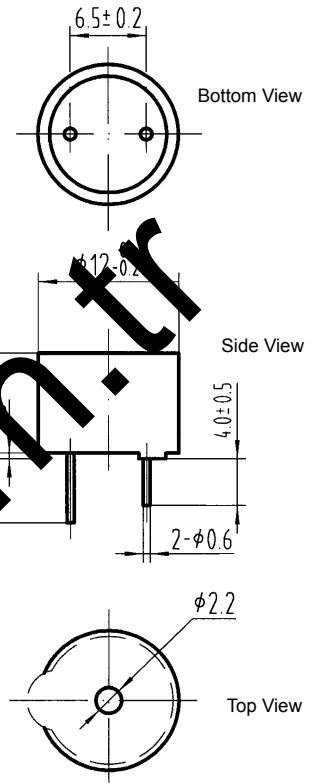
**FREQUENCY RESPONSE**  
[actual curve of type]



applied voltage: 1.5 v. 1/2 duty, square wave distance for measurement: 10cm



color Black  
PBT Housing Material  
Pin Terminal



all dimensions are in mm

Model No	KPM-1201A	KPM-1201A1	KPM-1201A2	KPM-1201A3	KPM-1201A4	KPM-1201A5	KPM-1201A6	KPM-1201A8
Rated Voltage	1.5V	1.5V	1.5V	1.5V	1.5V	1.5V	1.5V	1.5V
Operating Voltage	1~2V	1~2V	1~2V	1~2V	1~2V	1~2V	1~2V	1~2V
Max. Rated Current	70mA	30 mA	30 mA	30 mA	70mA	10mA	10mA	30mA
Coil Resistance(DC)	6.5±1Ω	16±2Ω	16±Ω	16±2Ω	6.5±1Ω	45±5Ω	45±Ω	16±2Ω
Coil Impedance(AC)	16Ω	40Ω	40Ω	40Ω	22Ω	125Ω	125Ω	40Ω
Min. Sound Pressure Level	80dB/10cm	75dB/10cm	75dB/10cm	75dB/10cm	80dB/10cm	70dB/10cm	70dB/10cm	85dB/10cm
Resonant Frequency	2400Hz	2048Hz	2400Hz	2600Hz	2731Hz	2731Hz	2400Hz	2800Hz
Operating Temperature	-20~+70 °C	-20~+70 °C	-20~+70 °C	-20~+70 °C	-20~+70 °C	-20~+70 °C	-20~+70 °C	-20~+70 °C

\* Value applying at rated voltage