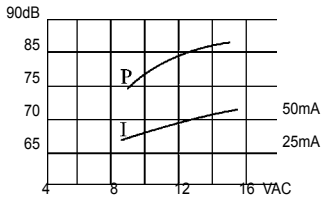


# Mechanical Buzzer

## KPMB-2612P4 SERIES MECHANICAL BUZZER

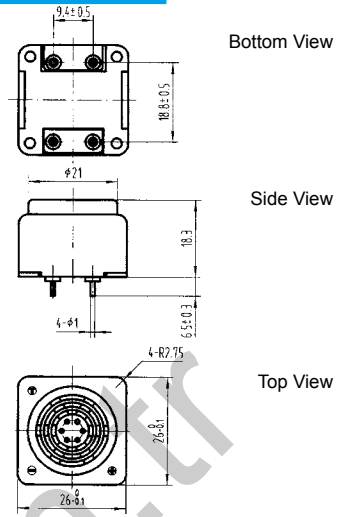


<b>Model No</b>	<b>KPMB-2612P4</b>
Rated Voltage	12VDC
Operating Voltage	9~15VDC
Max. Rated Current	55mA at 12VDC
Min. Sound Pressure Level	80dB at 12VDC/20cm
Resonant Frequency	400±100Hz
Operating Temperature	-20~+60 °C
Weight	10g



color White  
ABS Housing Material  
Pin Terminal

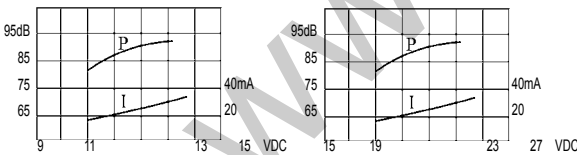
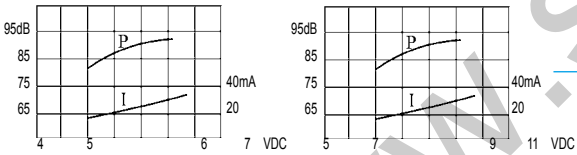
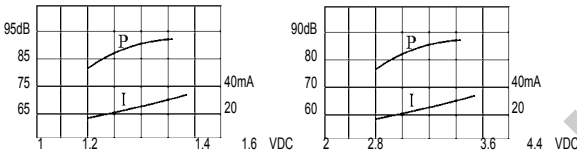
### DIMENSIONS



all dimensions are in mm

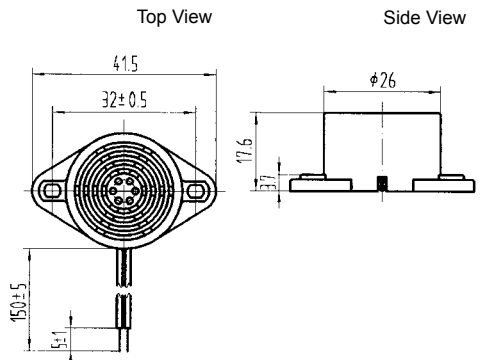
\* Value applying at rated voltage

## KPMB-26xx(L) SERIES MECHANICAL BUZZER



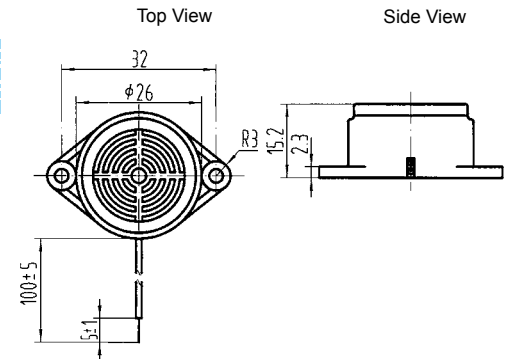
color Black  
ABS Housing Material  
Lead Terminal

### DIMENSIONS



color Black  
ABS Housing Material  
Lead Terminal

### DIMENSIONS



all dimensions are in mm

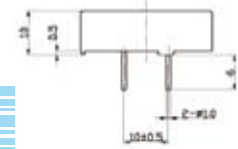
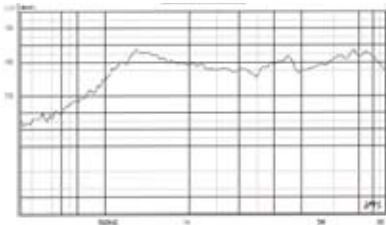
Model No	KPMB-2615(L)	KPMB-2603(L)	KPMB-2606(L)	KPMB-2609(L)	KPMB-2612(L)	KPMB-2624(L)
Rated Voltage	1.5VDC	3VDC	6VDC	9VDC	12VDC	24VDC
Operating Voltage	1~2VDC	2~4VDC	4~8VDC	6~12VDC	9~15VDC	15~27VDC
Max. Rated Current	40mA	40mA/3VDC	40mA/6VDC	25mA/9VDC	40mA/12VDC	40mA/24VDC
Min Sound Pressure Level	85dB/20cm	80dB/20cm	80dB/20cm	80dB/20cm	85dB/20cm	85dB/20cm
Resonant Frequency	400±100Hz	400±100Hz	400±100Hz	400±100Hz	400±100Hz	400±100Hz
Operating Temperature	-20~+60 °C	-20~+60 °C	-20~+60 °C	-20~+60 °C	-20~+60 °C	-20~+60 °C
Weight	12g	12g	12g	12g	12g	12g

\* Value applying at rated voltage

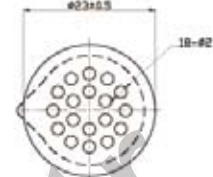
The information contained herein is believed to be correct, but no guarantee for accuracy, completeness KEPO Electronics Ltd. reserves the right to make changes without notification.

**KPMB-2300 SERIES MICRO SPEAKER**

**DIMENSIONS**



Side View



Top View

all dimensions are in mm

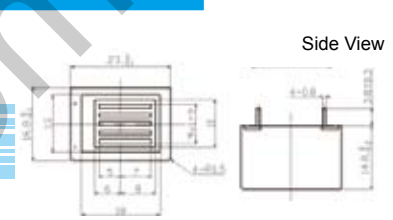
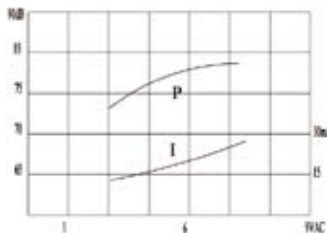
color Black  
ABS Housing Material  
Lead Terminal

<b>Model No</b>	<b>KPMB-2300</b>
Rated Noise Power	0.15W
Max. Input Power	0.3W
Rated Frequency	1200±200Hz
Rated Impedance	8
Min. Sound Pressure Level	70dB at 1.2KHz 1.1Vrms Sine Wave/10cm
Operating Temperature	-20~+60 °C
Weight	12g

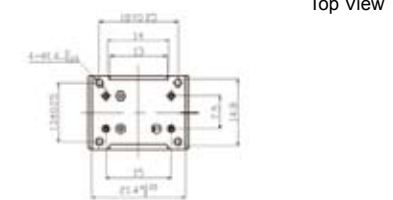
\* Value applying at rated voltage

**KPMB-2306P4 SERIES MECHANICAL BUZZER**

**DIMENSIONS**



Side View



Top View

all dimensions are in mm

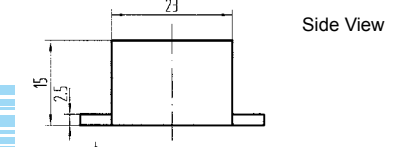
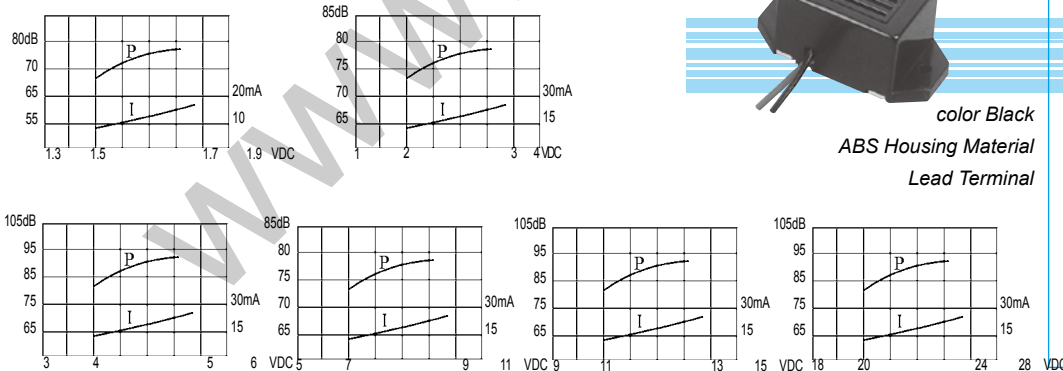
color Black  
ABS Housing Material  
Lead Terminal

<b>Model No</b>	<b>KPMB-2306P4</b>
Rated Voltage	6VDC
Max. Allowable Voltage	4~8VDC
Max. Rated Current	30mA/6VDC
Rated Trigger Current	≤1mA
Min. Sound Pressure Level	75dB/20cm/6VDC
Resonant Frequency	400±100Hz
Operating Temperature	-20~+60 °C
Weight	8g

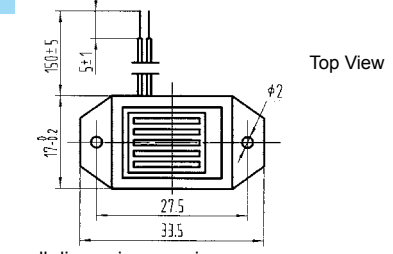
\* Value applying at rated voltage

**KPMB-23XXL SERIES MECHANICAL BUZZER**

**DIMENSIONS**



Side View



Top View

all dimensions are in mm

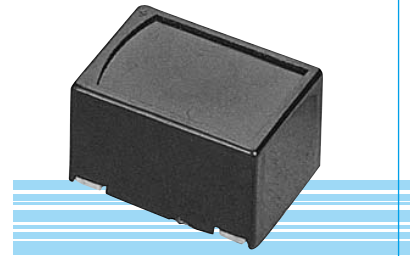
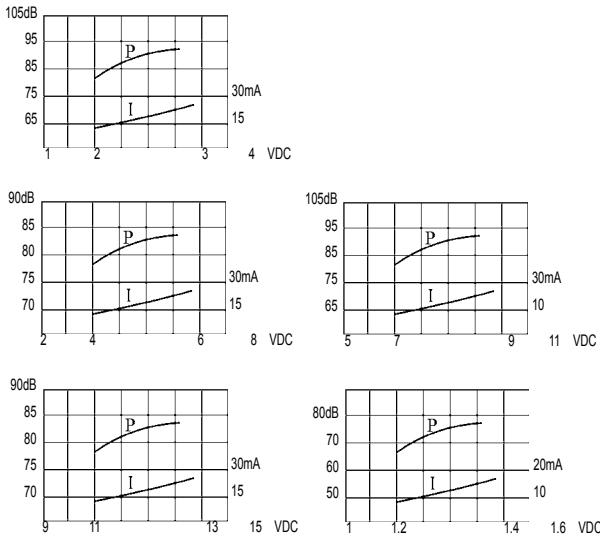
color Black  
ABS Housing Material  
Lead Terminal

Model No	KPMB-2315L	KPMB-2303L	KPMB-2306L	KPMB-2309L	KPMB-2312L	KPMB-2324L
Rated Voltage	1.5 VDC	3VDC	6VDC	9VDC	12VDC	24VDC
Operating Voltage	1.3~2VDC	2~4VDC	4~8VDC	6~12VDC	9~15VDC	15~27VDC
Max. Rated Current	20mA at 1.5VDC	25mA at 3VDC	25mA at 6VDC	25mA at 9VDC	25mA at 12VDC	25mA at 24VDC
Min. Sound Pressure Level	70dB at 1.5VDC/20cm	75dB at 3VDC/20cm	75dB at 6VDC/20cm	75dB at 9VDC / 20cm	75dB at 12VDC/20cm	75dB at 24VDC/20cm
Resonant Frequency	400±100Hz	400±100Hz	400±100Hz	400±100Hz	400±100Hz	400±100Hz
Operating Temperature	-20~+60 °C	-20~+60 °C	-20~+60 °C	-20~+60 °C	-20~+60 °C	-20~+60 °C
Weight	10g	10g	10	10g	10g	10g

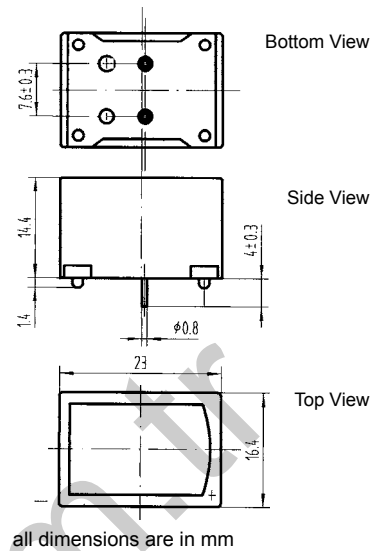
\* Value applying at rated voltage

**KPMB-22XXP SERIES MECHANICAL BUZZER**

**DIMENSIONS**



color Black  
ABS Housing Material  
Pin Terminal

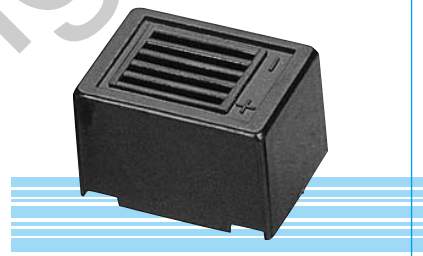
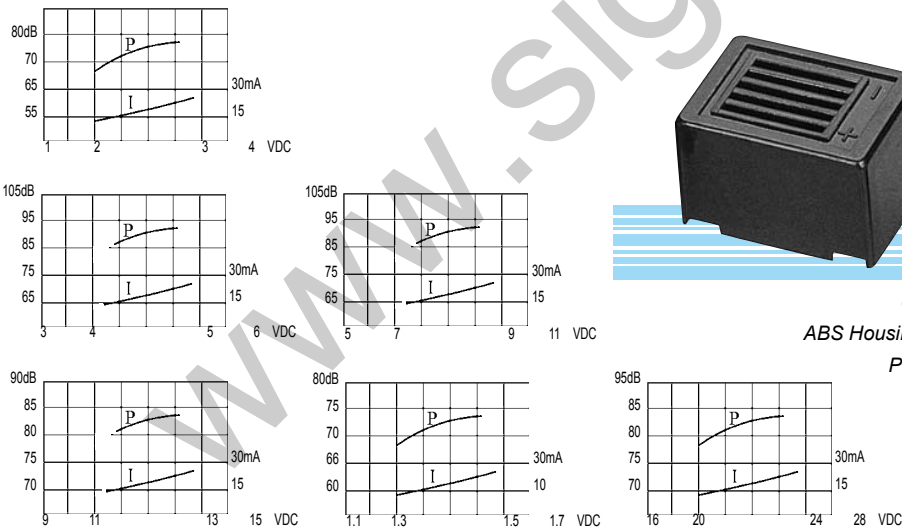


Model No	KPMB-2203P	KPMB-2206P	KPMB-2209P	KPMB-2212P	KPMB-2215P	KPMB-2224P
Rated Voltage	3VDC	6VDC	9VDC	12VDC	1.5VDC	24VDC
Operating Voltage	2~4VDC	4~8VDC	6~12VDC	9~15VDC	1~2VDC	15~27VDC
Max. Rated Current	25mA at 3VDC	25mA at 6VDC	25mA at 9VDC	25mA at 12VDC	20mA at 1.5VDC	25mA at 24VDC
Min. Sound Pressure Level	70dB at 3VDC/20cm	75dB at 6VDC/20cm	75dB at 9VDC/20cm	80dB at 12VDC/20cm	70dB at 1.5VDC/20cm	80dB at 24VDC/20cm
Resonant Frequency	400±100Hz	400±100Hz	400±100Hz	400±100Hz	400±100Hz	400±100Hz
Operating Temperature	-20~+60 °C	-20~+60 °C	-20~+60 °C	-20~+60 °C	-20~+60 °C	-20~+60 °C
Weight	10g	10g	10g	10g	10g	10g

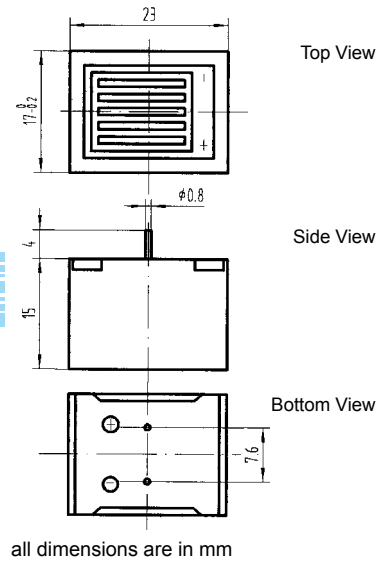
\* Value applying at rated voltage

**KPMB-23XXP SERIES MECHANICAL BUZZER**

**DIMENSIONS**



color Black  
ABS Housing Material  
Pin Terminal



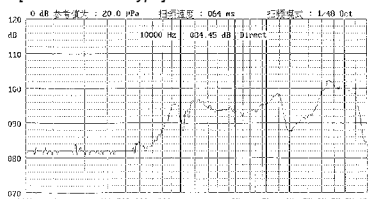
Model No	KPMB-2303P	KPMB-2306P	KPMB-2309P	KPMB-2312P	KPMB-2315P	KPMB-2324P
Rated Voltage	3VDC	6VDC	9VDC	12VDC	1.5VDC	24VDC
Operating Voltage	2~5VDC	4~8VDC	6~12VDC	9~15VDC	1~2VDC	15~27VDC
Max. Rated Current	25mA at 3VDC	25mA at 6VDC	25mA at 9VDC	25mA at 12VDC	25mA at 1.5VDC	25mA at 24VDC
Min. Sound Pressure Level	75dB at 3VDC/20cm	75dB at 6VDC/20cm	75dB at 9VDC/20cm	75dB at 12VDC/20cm	70dB at 1.5VDC/20cm	75dB at 24VDC/20cm
Resonant Frequency	400±100Hz	400±100Hz	400±100Hz	400±100Hz	400±100Hz	400±100Hz
Operating Temperature	-20~+60 °C	-20~+60 °C	-20~+60 °C	-20~+60 °C	-20~+60 °C	-20~+60 °C
Weight	10g	10g	10g	10g	10g	10g

\* Value applying at rated voltage

The information contained herein is believed to be correct, but no guarantee for accuracy, completeness KEPO Electronics Ltd. reserves the right to make changes without notification.

**KPMB-3008E SERIES MICRO SPEAKER**

**FREQUENCY RESPONSE**  
[actual curve of type]

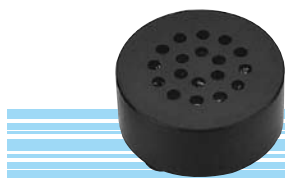


applied voltage: 12 vp-p, 1/2 duty, sine wave distance for measurement: 10cm

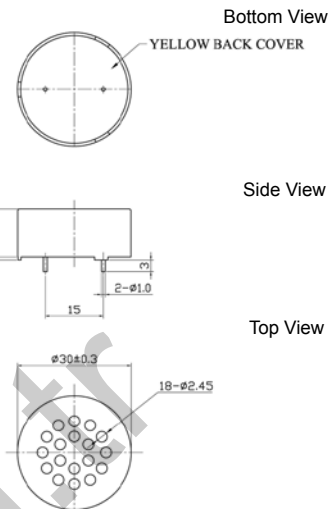
<b>Model No</b>	<b>KPMB-3008E</b>
Rated Noise Power	0.15W
Max. Input Power	0.3W
Rated Frequency Range	500 ~ 5000Hz
Rated Frequency	1100±15%Hz
Rated Impedance	8
Min. Sound Pressure Level	85dB at 1KHz 1.1Vrms Sine Wave/10cm
Housing Material/Color	PA66/Black
Operating Temperature	-20 ~ +60 °C
Store Temperature	-30 ~ +70 °C
Weight	10g

\* Value applying at rated voltage

**DIMENSIONS**

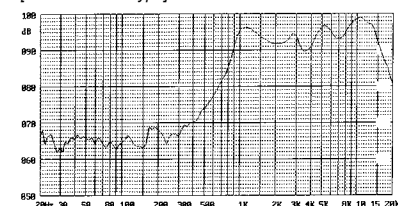


color Black  
PA66 Housing Material  
Pin Terminal



**KPMB-3008 SERIES MICRO SPEAKER**

**FREQUENCY RESPONSE**  
[actual curve of type]



applied voltage: 12 vp-p, 1/2 duty, sine wave distance for measurement: 10cm

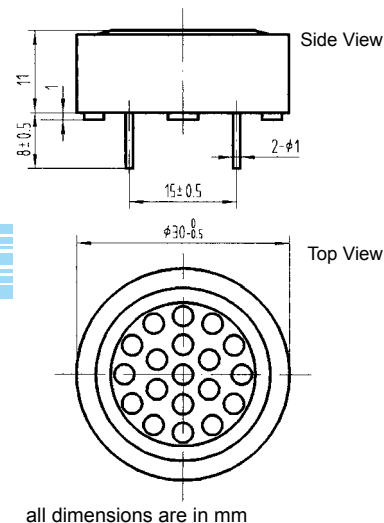
<b>Model No</b>	<b>KPMB-3008</b>
Rated Noise Power	0.15W
Rated Long Max Power	0.3W
Rated Frequency Range	700~50000Hz
Rated Impedance	8
Min Sound Pressure Level	75dB at 1.2 KHz 1.1 Vrms Sine Wave/10cm
Resonant Frequency	1200±200Hz
Operating Temperature	-20~+60 °C
Weight	12g

\* Value applying at rated voltage

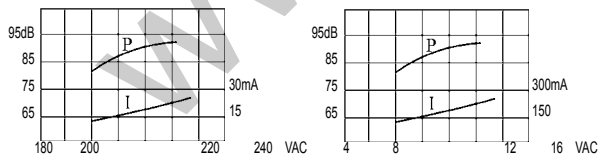
**DIMENSIONS**



color Black  
ABS Housing Material  
Pin Terminal



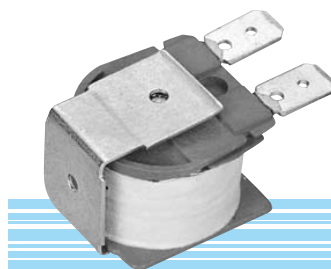
**KPMB-23000SERIES MECHANICAL BUZZER**



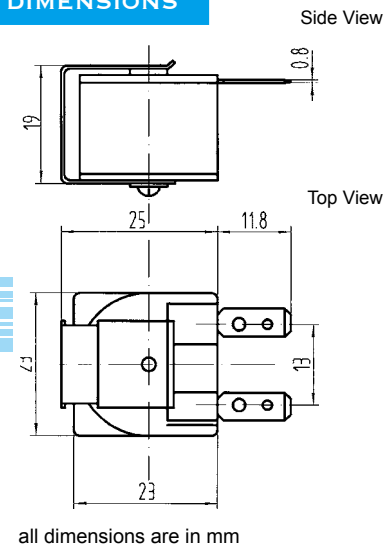
<b>Model No</b>	<b>KPMB-23220</b>	<b>KPMB-23012</b>
Rated Voltage	220 VAC	12 VAC
Operating Voltage	180~260 VAC	10.5~13.5VAC
Max. Rated Current	30mA/ 220VAC	250mA/12VAC
Min. Sound Pressure Level	80dB/220VAC/20cm	80dB/12VAC/20cm
Common Terminal Bear Pulling Force	≤9Kg	≤9Kg
Operating Temperature	-25~+75 °C	-25~+75 °C
Weight	20 g	20 g

\* Value applying at rated voltage

**DIMENSIONS**



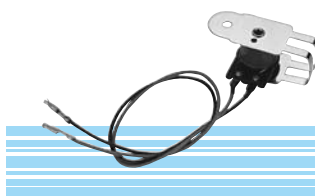
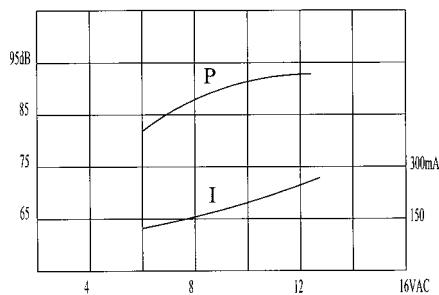
color Black  
PPO Framework Material  
Pin Terminal



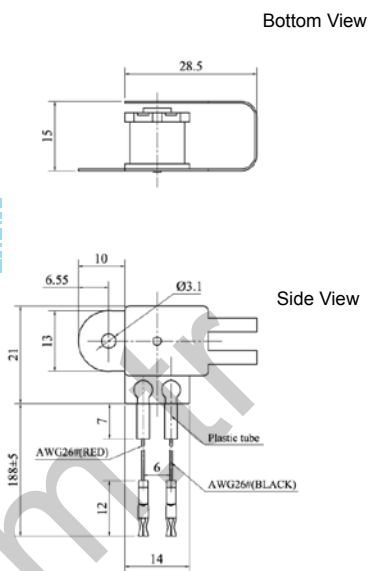
The information contained herein is believed to be correct, but no guarantee for accuracy, completeness KEPO Electronics Ltd. reserves the right to make changes without notification.

## KPMB-38012LC SERIES MECHANICAL BUZZER

### DIMENSIONS



color black  
ABS Housing Material  
Lead Terminal



all dimensions are in mm

### Model No KPMB-38012LC

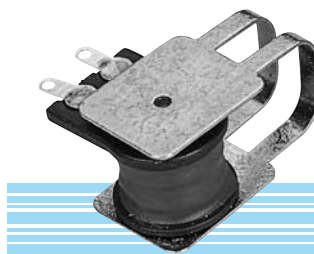
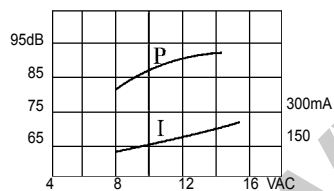
Rated Voltage	12VAC/50Hz
Operating Voltage	10.5 ~ 13.5VAC/50Hz
Max. Rated Current	250mA at 12VAC
Coil Resistance	54.5 ±10%
Min. Sound Pressure Level	75dB at 12VAC/20cm
Housing Material / Color	ABS/Black
Operating Temperature	-20 ~ +60 °C
Store Temperature	-30 ~ +70 °C
Weight	11g

\* Value applying at rated voltage

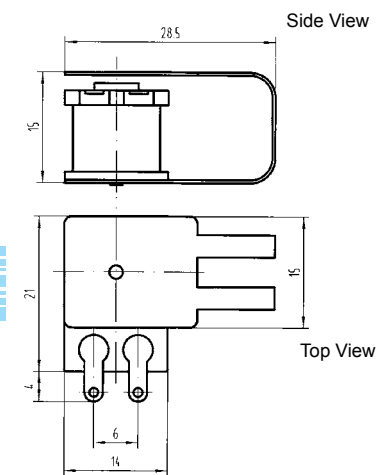
## Mechanical Buzzer/Ultrasonic Transducer

## KPMB-28012 SERIES MECHANICAL BUZZER

### DIMENSIONS



color Black  
ABS Framework Material  
Pin Terminal



all dimensions are in mm

### Model No KPMB-28012

Rated Voltage	12VAC/50Hz
Operating Voltage	10.5~13.5VAC/50Hz
Max. Rated Current	250mA/12VAC
Min. Sound Pressure Level	75dB/12VAC/20cm
Operating Temperature	-25~+60 °C
Weight	9g

\* Value applying at rated voltage