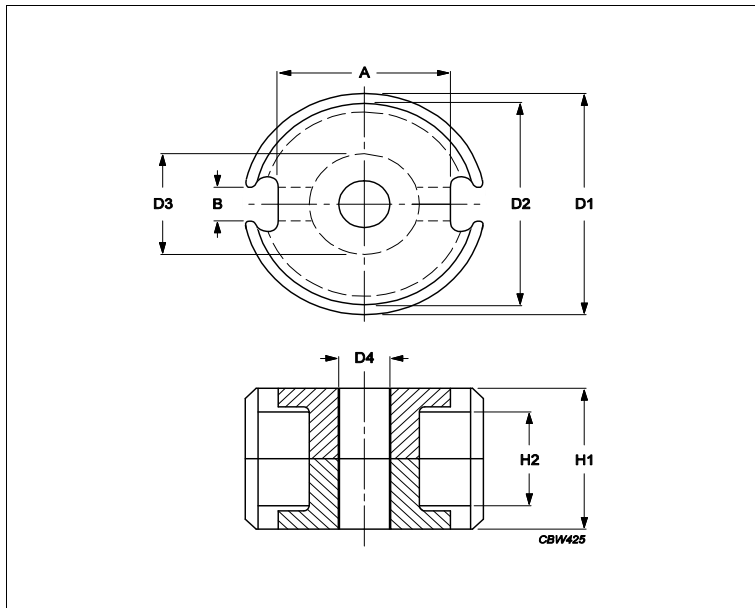


## Core **P18/11**



Effective parameters			
	Parameter	Value	Unit
$\Sigma(I/A)$	core factor (C1)	0.597	mm <sup>-1</sup>
<b>Ve</b>	effective volume	1120	mm <sup>3</sup>
<b>Le</b>	effective length	25.8	mm
<b>Ae</b>	effective area	43.3	mm <sup>2</sup>
<b>Amin</b>	minimum area	36	mm <sup>2</sup>
<b>m</b>	P18/11	≈ 6	g/set

Dimensions for product: P18/11

	Nom	Tol +	Tol -	Max	Min	Unit
<b>A</b>	13.40	0.30	0.30	13.70	13.10	mm
<b>B</b>	3.80	0.60	0.60	4.40	3.20	mm
<b>D1</b>	18.40	0.00	0.80	18.40	17.60	mm
<b>D2</b>	14.90	0.50	0.00	15.40	14.90	mm
<b>D3</b>	7.60	0.00	0.30	7.60	7.30	mm
<b>D4</b>	3.10	0.10	0.10	3.20	3.00	mm
<b>H1</b>	10.60	0.10	0.10	10.70	10.50	mm
<b>H2</b>	7.20	0.40	0.00	7.60	7.20	mm

Inductance factor

Material	Value	Tol +	Tol -	Unit
3C91	4000	25%	25%	nH/turns <sup>2</sup>
3D3	1400	25%	25%	nH/turns <sup>2</sup>
3H3	3100	25%	25%	nH/turns <sup>2</sup>
4C65	260	25%	25%	nH/turns <sup>2</sup>

Power loss: 3C91

Measuring conditions			Max	Unit
100 kHz	200 mT	60 °C	0.560	W/set

Bsat

Measuring conditions			Material	Min	Unit
25 kHz	250 A/m	100 °C	3C91	320	mT

## Core **P18/11**

Accessories		
Ordering name	Description	Ordering code
BPL/D-CLM/C-P18/11-C	Base plate, D shape to be used with CL	432202145091
CLM/C-P18/11-C	Clamp, pin bend mounted	432202145151
CLM/TP-P18/11-TZ	Clamp, self locking, with ground pin	432202106751
CON-P18/11	Container	432202102841
CP-P18/11-1S	Coil former, termoplastic	432202102381
CP-P18/11-1S-A	Coil former, termoplastic	433500026071
CP-P18/11-2S	Coil former, termoplastic	432202102391
CP-P18/11-3S	Coil former, termoplastic	432202102401
CP-P18/11-3S-A	Coil former, termoplastic	433500026091
CPV-P18/11-1S-6PDL	Coil former, termoplastic, vertical	433506026441
CPV-P18/11-1S-6PD-Z	Coil former, termoplastic, vertical	433506026431
CPV-P18/11-2S-6PD-Z	Coil former, termoplastic, vertical	433506026451
CPV-P18/11-3S-6PD-Z	Coil former, termoplastic, vertical	433506026471
SPR-P18/11	Spring	432202130641
TGP-P18/11-C	Tag plante	432202104271
WAS-CLM/C+S-P18/11	Washer, phenolformaldehyde (PF) to b	433500045161
WAS-CLM/TP-P18/11	Washer, phenolformaldehyde (PF) to b	433500026181