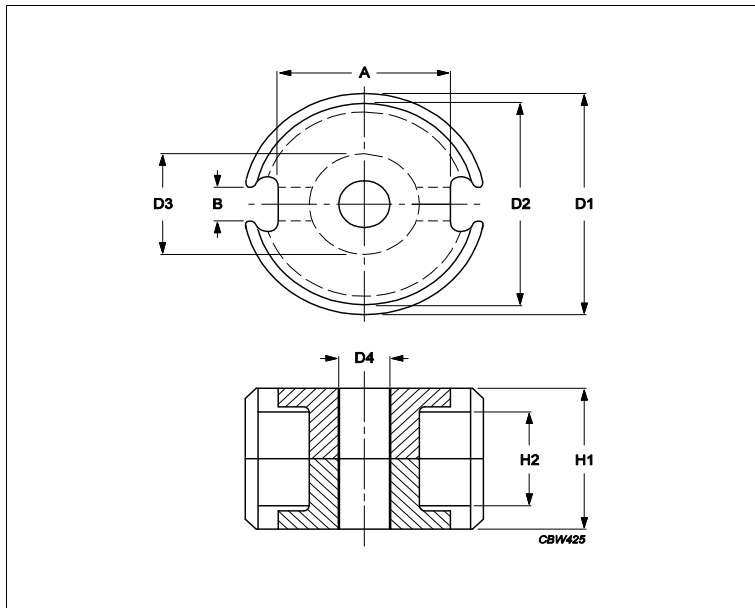


Core **P22/13**



Effective parameters			
	Parameter	Value	Unit
$\Sigma(I/A)$	core factor (C1)	0.497	mm ⁻¹
Ve	effective volume	2000	mm ³
Le	effective length	31.5	mm
Ae	effective area	63.4	mm ²
Amin	minimum area	50.9	mm ²
m	P22/13	≈ 12	g/set

Dimensions for product: P22/13

	Nom	Tol +	Tol -	Max	Min	Unit
A	15.00	0.40	0.40	15.40	14.60	mm
B	3.80	0.60	0.60	4.40	3.20	mm
D1	22.00	0.00	0.80	22.00	21.20	mm
D2	17.90	0.60	0.00	18.50	17.90	mm
D3	9.40	0.00	0.30	9.40	9.10	mm
D4	4.40	0.30	0.00	4.70	4.40	mm
H1	13.40	0.20	0.20	13.60	13.20	mm
H2	9.20	0.40	0.00	9.60	9.20	mm

Inductance factor

Material	Value	Tol +	Tol -	Unit
3C91	5200	25%	25%	nH/turns ²
3D3	1700	25%	25%	nH/turns ²
3H3	3900	25%	25%	nH/turns ²
4C65	310	25%	25%	nH/turns ²

Power loss: 3C91

Measuring conditions			Max	Unit
100 kHz	200 mT	60 °C	1.000	W/set

Bsat

Measuring conditions			Material	Min	Unit
25 kHz	250 A/m	100 °C	3C91	320	mT

Core **P22/13**

Accessories		
Ordering name	Description	Ordering code
BPL/D-CLM/C-P22/13-C	Base plate, D shape to be used with CL	432202145101
BPL/R-CLM/C-P22/13-C	Base plate, round to be used with CLM/	432202145201
CLM/C-P22/13-C	Clamp, pin bend mounted	432202156801
CLM/S-P22/13-C	Clamp, screwed	432202145181
CON-P22/13	Container	432202103051
CP-P22/13-1S	Coil former, termoplastic	432202102411
CP-P22/13-1S-A	Coil former, termoplastic	433500026101
CP-P22/13-2S	Coil former, termoplastic	432202102421
CP-P22/13-3S	Coil former, termoplastic	432202102431
CPV-P22/13-1S-6PDL-Z	Coil former, termoplastic, vertical	433506026531
CPV-P22/13-1S-6PD-Z	Coil former, termoplastic, vertical	433506026521
CPV-P22/13-3S-6PD-Z	Coil former, termoplastic, vertical	433506026561
SPR-P22/13	Spring	432202130651
TGP-P22/13-C	Tag plante	432202104281
WAS-CLM/TS-P22	Washer, phenolformaldehyde (PF) to b	433500045191

www.signal.com