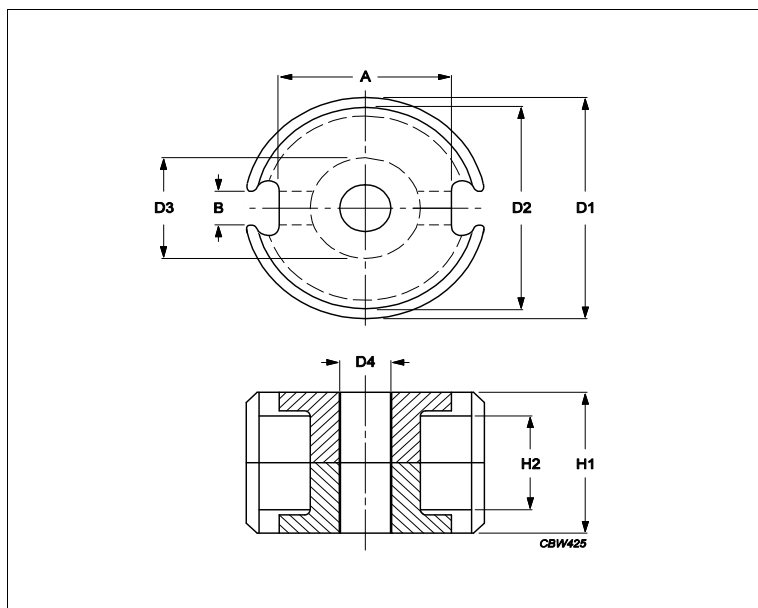


Core **P26/16**



Effective parameters			
	Parameter	Value	Unit
$\Sigma(I/A)$	core factor (C1)	0.4	mm ⁻¹
Ve	effective volume	3530	mm ³
Le	effective length	37.6	mm
Ae	effective area	93.9	mm ²
Amin	minimum area	77.4	mm ²
m	P26/16	≈ 20	g/set

Dimensions for product: P26/16

	Nom	Tol +	Tol -	Max	Min	Unit
A	18.00	0.40	0.40	18.40	17.60	mm
B	3.80	0.60	0.60	4.40	3.20	mm
D1	25.50	0.50	0.50	26.00	25.00	mm
D2	21.20	0.80	0.00	22.00	21.20	mm
D3	11.50	0.00	0.40	11.50	11.10	mm
D4	5.40			5.40	5.40	mm
H1	16.10	0.20	0.20	16.30	15.90	mm
H2	11.00	0.40	0.00	11.40	11.00	mm

Inductance factor

Material	Value	Tol +	Tol -	Unit
3C91	6700	25%	25%	nH/turns ²
3D3	2150	25%	25%	nH/turns ²
3H3	5000	25%	25%	nH/turns ²
4C65	386	25%	25%	nH/turns ²

Power loss: 3C91

Measuring conditions			Max	Unit
100 kHz	200 mT	60 °C	1.800	W/set

Bsat

Measuring conditions			Material	Min	Unit
25 kHz	250 A/m	100 °C	3C91	320	mT

Core **P26/16**

Accessories		
Ordering name	Description	Ordering code
BPL-CLM/S-P26/16-C	Base plate, screw mounted to be used	432202145211
CLM/S-P26/16-C	Clamp, screwed	432202145221
CLM/TP-P26/16-C	Clamp, self locking, with ground pin	432202126331
CON-P26/16	Container	432202103061
CP-P26/16-1S	Coil former, termoplastic	432202102441
CP-P26/16-1S-A	Coil former, termoplastic	433500026201
CP-P26/16-2S	Coil former, termoplastic	432202102451
CP-P26/16-3S	Coil former, termoplastic	432202102461
CPV-P26/16-1S-6PDL-Z	Coil former, termoplastic, vertical	433506026591
CPV-P26/16-1S-6PD-Z	Coil former, termoplastic, vertical	433506026581
CPV-P26/16-2S-6PDL-Z	Coil former, termoplastic, vertical	433506026611
CPV-P26/16-3S-6PDL-Z	Coil former, termoplastic, vertical	433506026631
CPV-P26/16-3S-6PD-Z	Coil former, termoplastic, vertical	433506026621
SPR-P26/16	Spring	432202130661
TGP-P26/16-C	Tag plante	432202104291
WAS-CLM/S-P26/16	Washer, phenolformaldehyde (PF) to b	433500045231

www.signal.com