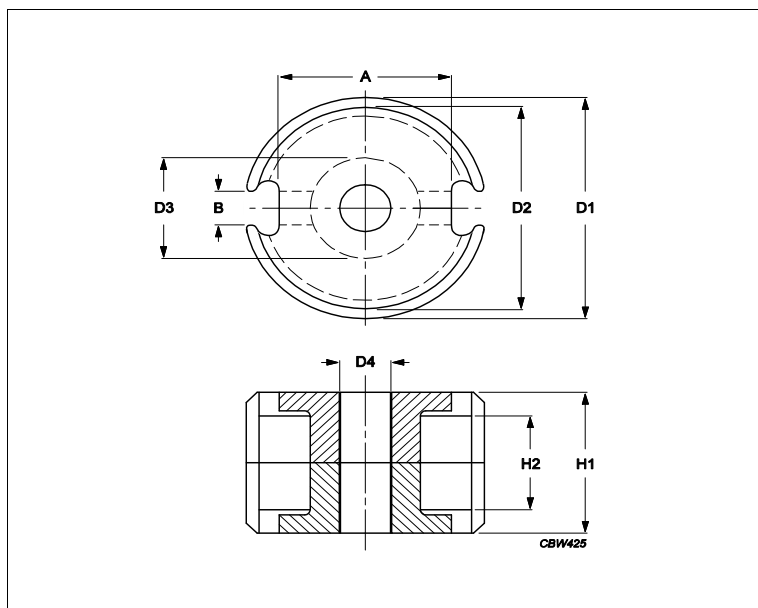


Core **P36/22**



Effective parameters			
	Parameter	Value	Unit
$\Sigma(I/A)$	core factor (C1)	0.264	mm ⁻¹
Ve	effective volume	10700	mm ³
Le	effective length	53.2	mm
Ae	effective area	202	mm ²
Amin	minimum area	172	mm ²
m	P36/22	≈ 54	g/set

Dimensions for product: P36/22

	Nom	Tol +	Tol -	Max	Min	Unit
A	26.20	0.60	0.60	26.80	25.60	mm
B	4.90	0.60	0.60	5.50	4.30	mm
D1	36.20	0.00	1.20	36.20	35.00	mm
D2	29.90	1.00	0.00	30.90	29.90	mm
D3	16.20	0.00	0.60	16.20	15.60	mm
D4	5.40	0.20	0.00	5.60	5.40	mm
H1	21.70	0.30	0.30	22.00	21.40	mm
H2	14.60	0.40	0.00	15.00	14.60	mm

Inductance factor

Material	Value	Tol +	Tol -	Unit
3C91	10800	25%	25%	nH/turns ²
3C95	10800	25%	25%	nH/turns ²
3F36	5200	25%	25%	nH/turns ²
3F46	3200	25%	25%	nH/turns ²

Power loss: 3C91

Measuring conditions			Max	Unit
100 kHz	200 mT	60 °C	5.300	W/set

Power loss: 3C95

Measuring conditions			Max	Unit
100 kHz	200 mT	100 °C	5.100	W/set
100 kHz	200 mT	25 °C	5.600	W/set

Core **P36/22**

Power loss: 3F36				
Measuring conditions			Max	Unit
500 kHz	50 mT	100 °C	1.700	W/set
500 kHz	100 mT	100 °C	13.000	W/set

Power loss: 3F46				
Measuring conditions			Max	Unit
1000 kHz	50 mT	100 °C	8.300	W/set
3000 kHz	10 mT	100 °C	5.800	W/set

Bsat					
Measuring conditions			Material	Min	Unit
25 kHz	250 A/m	100 °C	3C91	320	mT
25 kHz	250 A/m	100 °C	3C95	330	mT
25 kHz	250 A/m	100 °C	3F36	340	mT
25 kHz	250 A/m	100 °C	3F46	330	mT

Accessories		
Ordering name	Description	Ordering code
CON-P36/22	Container	432202103081
CP-P36/22-1S	Coil former, termoplastic	432202102501
CP-P36/22-1S-A	Coil former, termoplastic	433500026261
CP-P36/22-2S	Coil former, termoplastic	432202102511
CP-P36/22-3S	Coil former, termoplastic	432202102521
SPR-P36/22	Spring	432202130682
TGP-P36/22-C	Tag plante	432202104311