



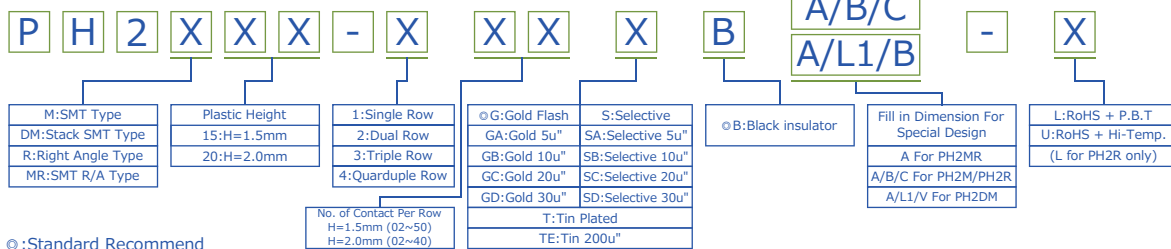
CONNECTORS MANUFACTURER

Pin Header 2.0mm SMT / Stack SMT / R/A / SMT R/A Type

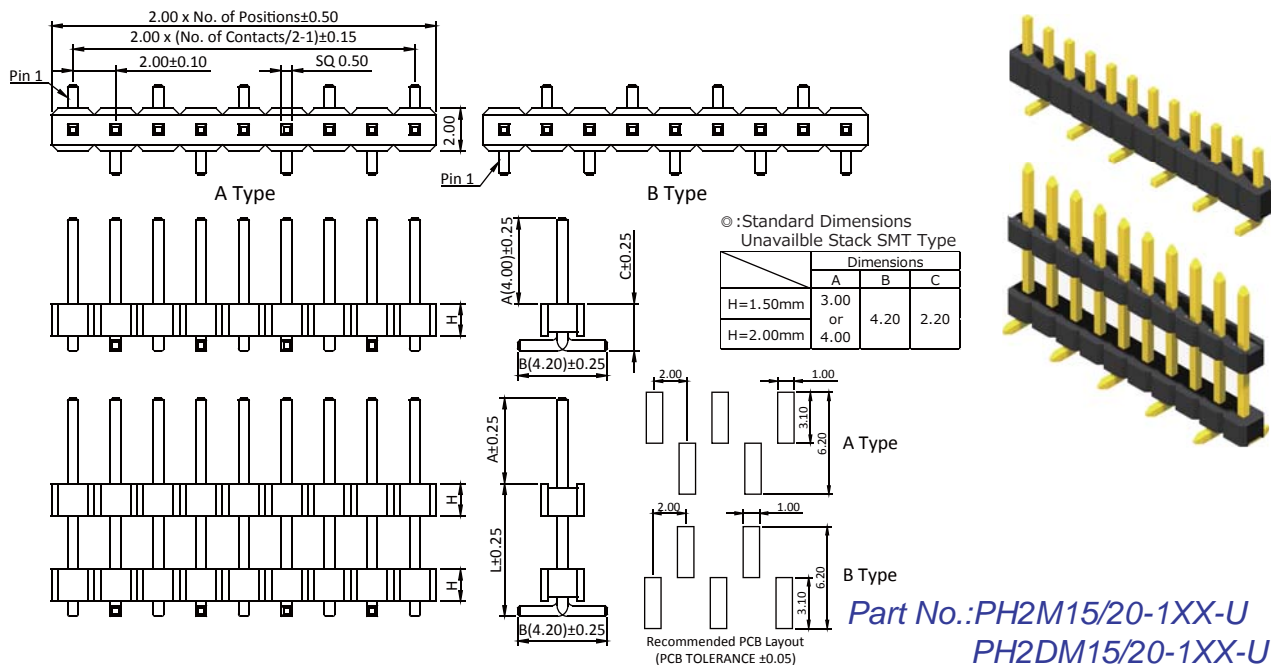
Specifications
 Current Rate: 2 AMP
 Insulation Resistance: 1000MΩ Min.
 Contact Resistance: 20mΩ Max.
 Dielectric Voltage: 500V AC for one minute
 Operation Temperature: -40°C to +105°C

Material
 Insulator: P.B.T or Hi-Temp. Thermoplastic, UL 94V-0
 Terminal: Copper Alloy
 Plating: Gold Plated

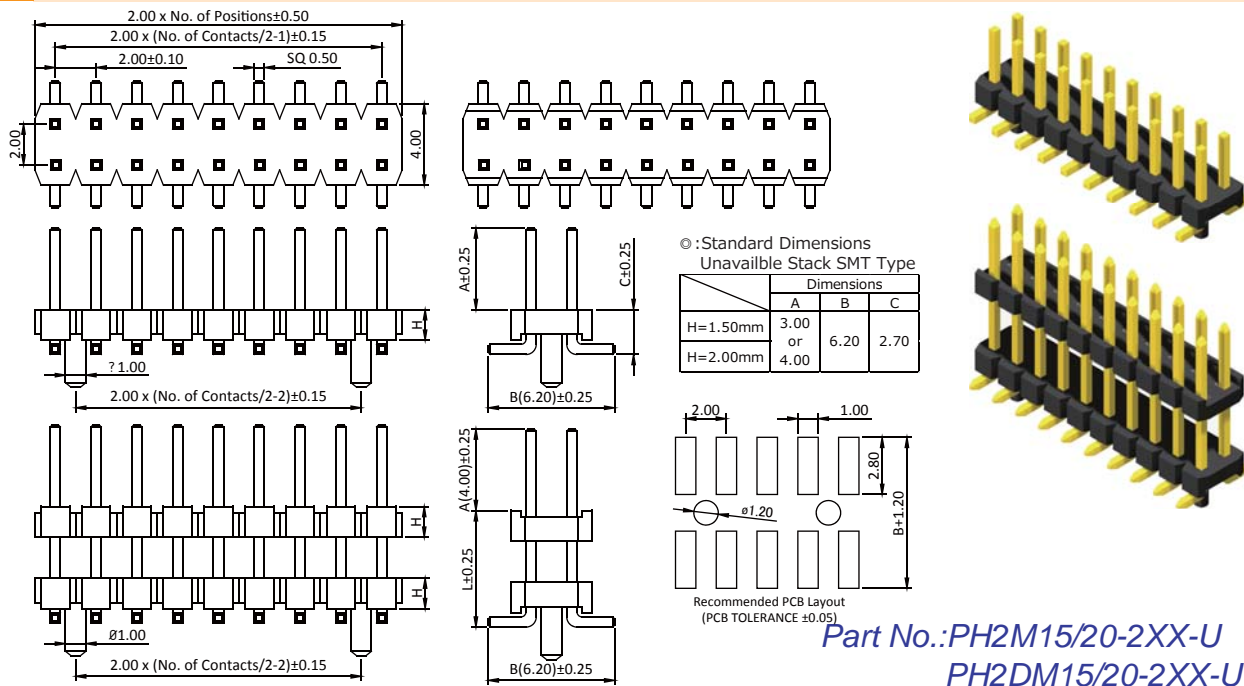
ORDER INFORMATION



Pin Header 2.0mm 1 Row H=1.5/2.0mm SMT / Stack SMT Type



Pin Header 2.0mm 2 Row H=1.5/2.0mm SMT / Stack SMT Type



Pin Header 2.0mm



ROHS

AMTEK CONNECTOR MANUFACTURER