



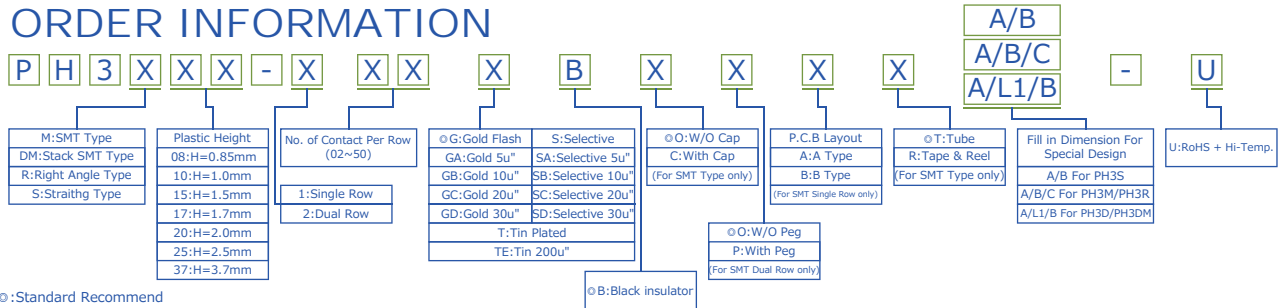
CONNECTORS MANUFACTURER

Pin Header 1.27mm SMT / Stack SMT / R/A / Straight / Stack Straight Type

Specifications
 Current Rate: 1 AMP
 Insulation Resistance: 1000MΩ Min.
 Contact Resistance: 20mΩ Max.
 Dielectric Voltage: 500V AC for one minute
 Operation Temperature: -40°C to +105°C

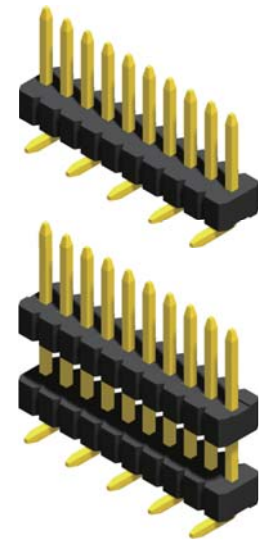
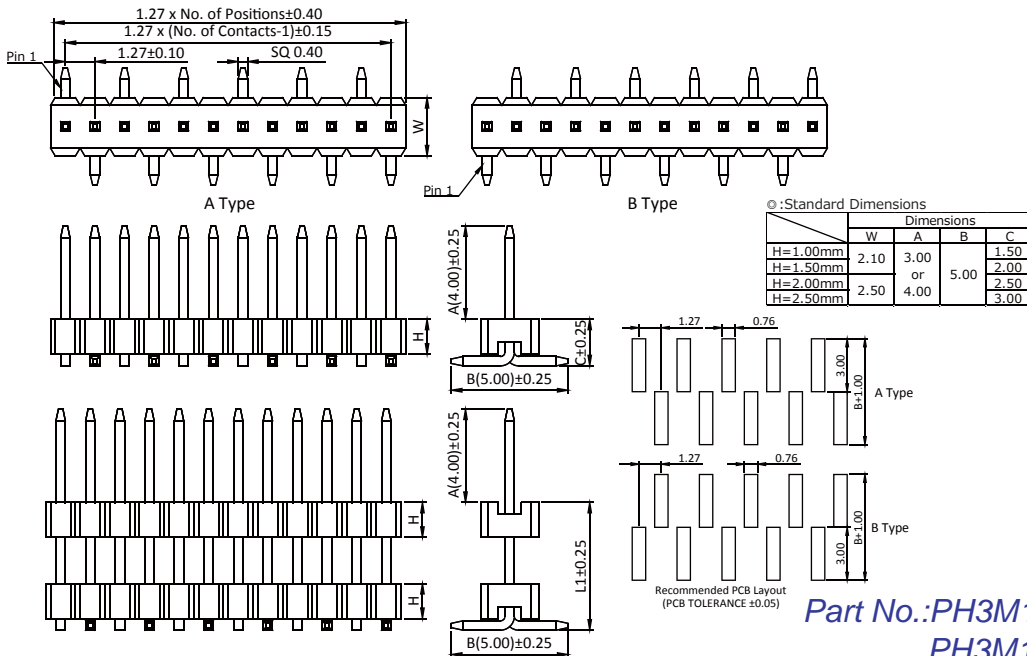
Material
 Insulator: Hi-Temp. Thermoplastic, UL 94V-0
 Terminal: Copper Alloy
 Plating: Gold Plated

ORDER INFORMATION



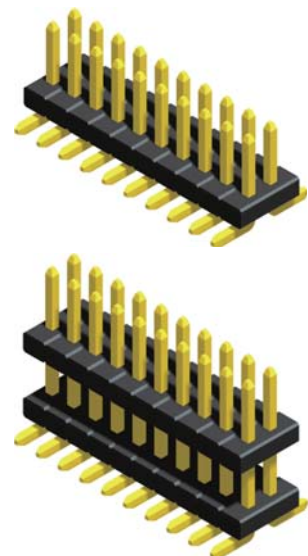
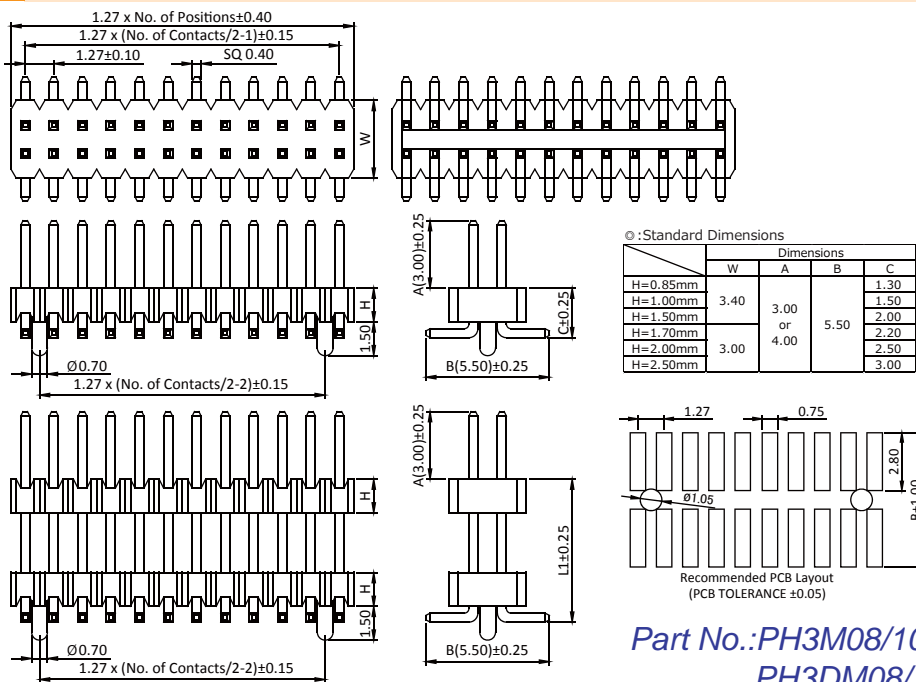
⊙: Standard Recommend

Pin Header 1.27mm SQ Pin=0.4mm 1 Row H=1.0/1.5/2.0/2.5mm SMT / Stack SMT Type



Part No.: PH3M10/15/20/25-1XX-U
 PH3M10/15/25-1XX-U

Pin Header 1.27mm SQ Pin=0.4mm 2 Row H=0.85/1.0/1.5/1.7/2.0/2.5mm SMT / Stack SMT Type



Part No.: PH3M08/10/15/17/20/25-2XX-U
 PH3DM08/10/15/17/20/25-2XX-U

P in Header 1.27mm

PROHS