



Female Header 2.54mm SMT / SMT R/A / Right Angle Type

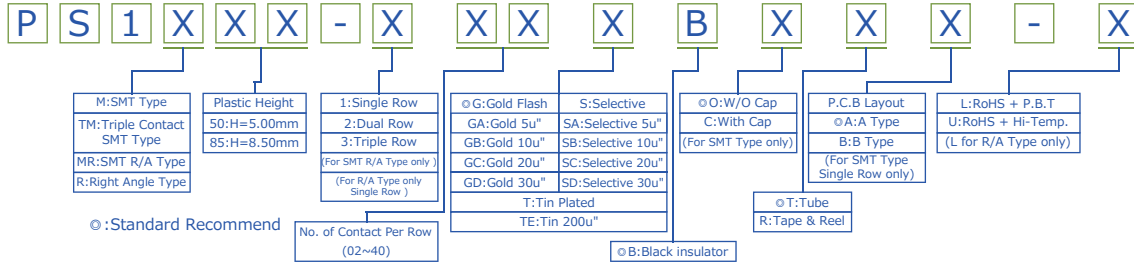
Specifications

Current Rate: 3 AMP
 Insulation Resistance: 1000MΩ Min.
 Contact Resistance: 20mΩ Max.
 Dielectric Voltage: 1000V AC for one minute
 Operation Temperature: -40°C to +105°C

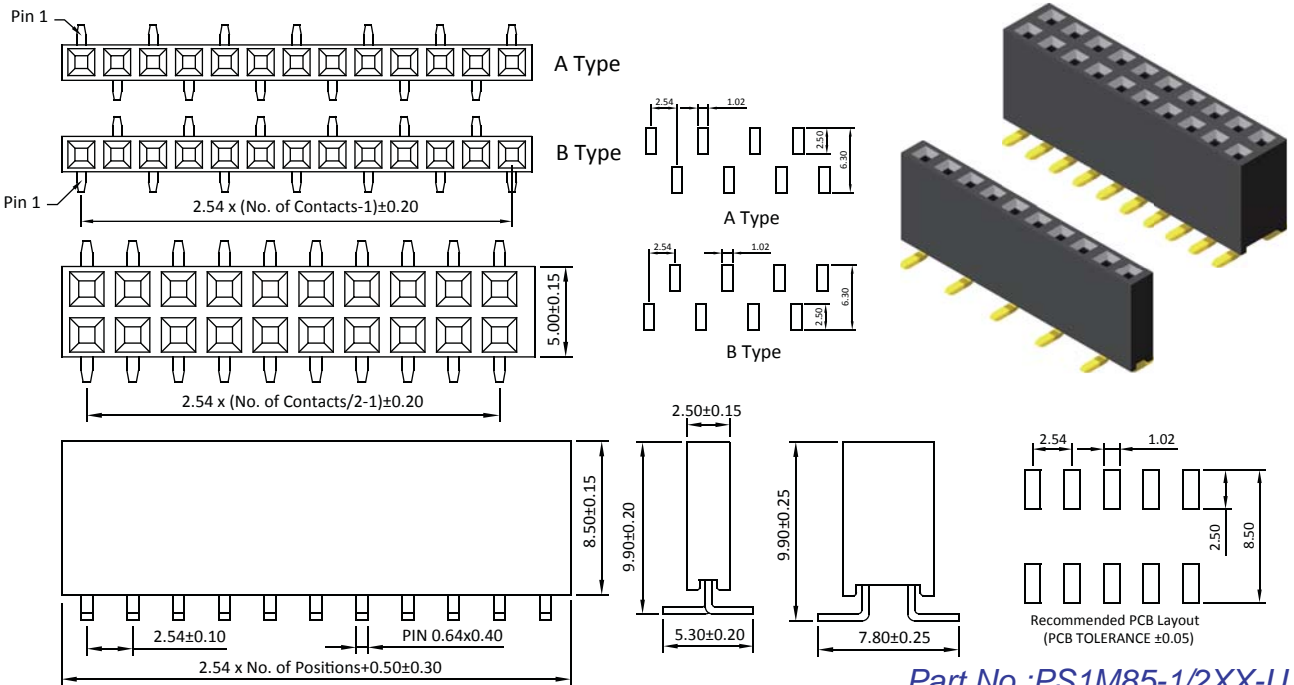
Material

Insulator: P.B.T or Hi-Temp. Thermoplastic, UL 94V-0
 Terminal: Copper Alloy
 Plating: Gold Plated

ORDER INFORMATION

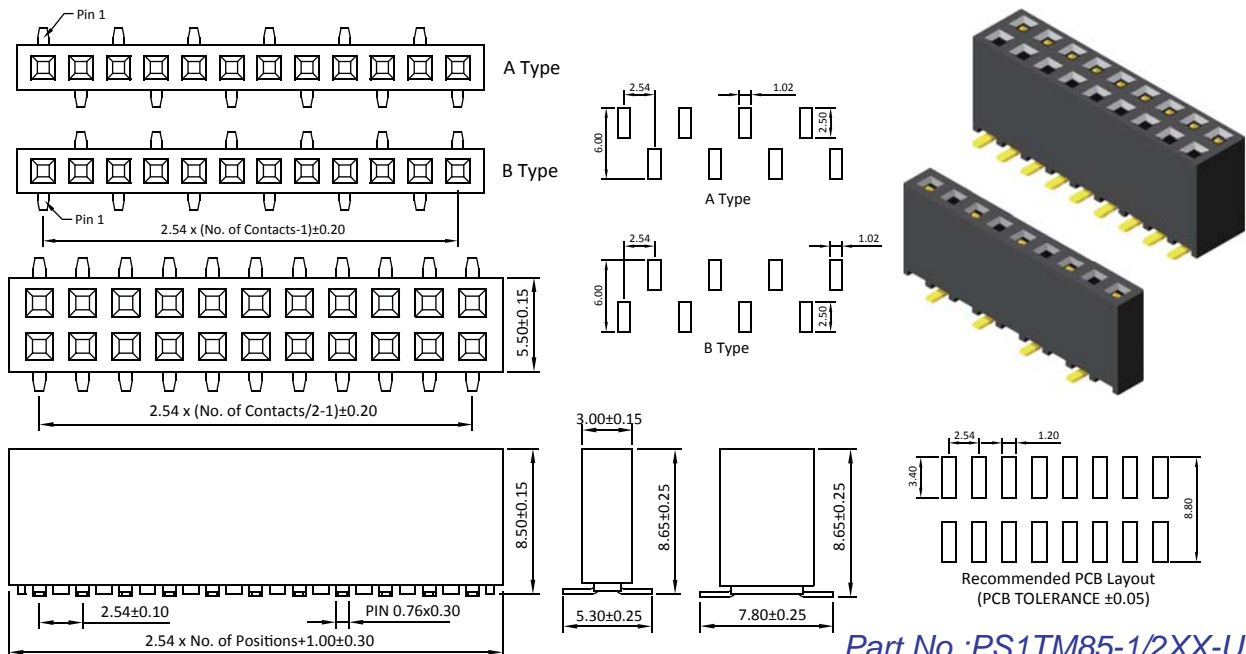


Female Header 2.54mm 1 & 2 Row H=8.5mm SMT Type



Part No.: PS1M85-1/2XX-U

Female Header 2.54mm 1 & 2 Row H=8.5mm Triple Contact SMT Type



Part No.: PS1TM85-1/2XX-U

F

Female Header 2.54mm

Pb

ROHS

CONNECTOR MANUFACTURER