



## Female Header 2.54mm Right Angle / R/A With Bump / Straight Type

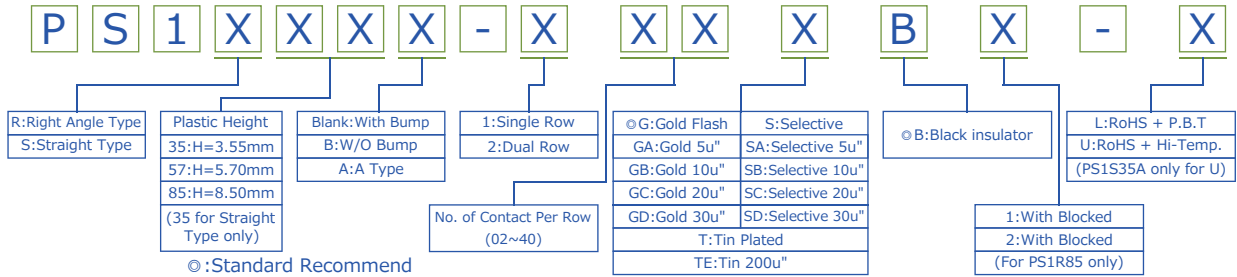
### Specifications

Current Rate: 3 AMP  
 Insulation Resistance: 1000MΩ Min.  
 Contact Resistance: 20mΩ Max.  
 Dielectric Voltage: 1000V AC for one minute  
 Operation Temperature: -40°C to +105°C

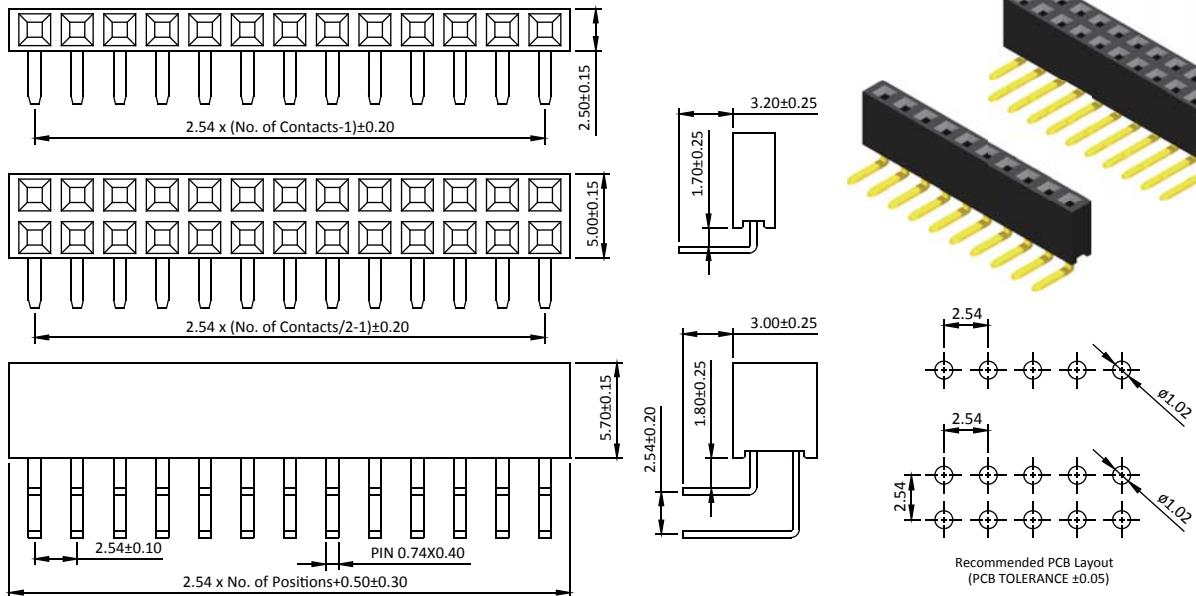
### Material

Insulator: P.B.T or Hi-Temp. Thermoplastic, UL 94V-0  
 Terminal: Copper Alloy  
 Plating: Gold Plated

## ORDER INFORMATION

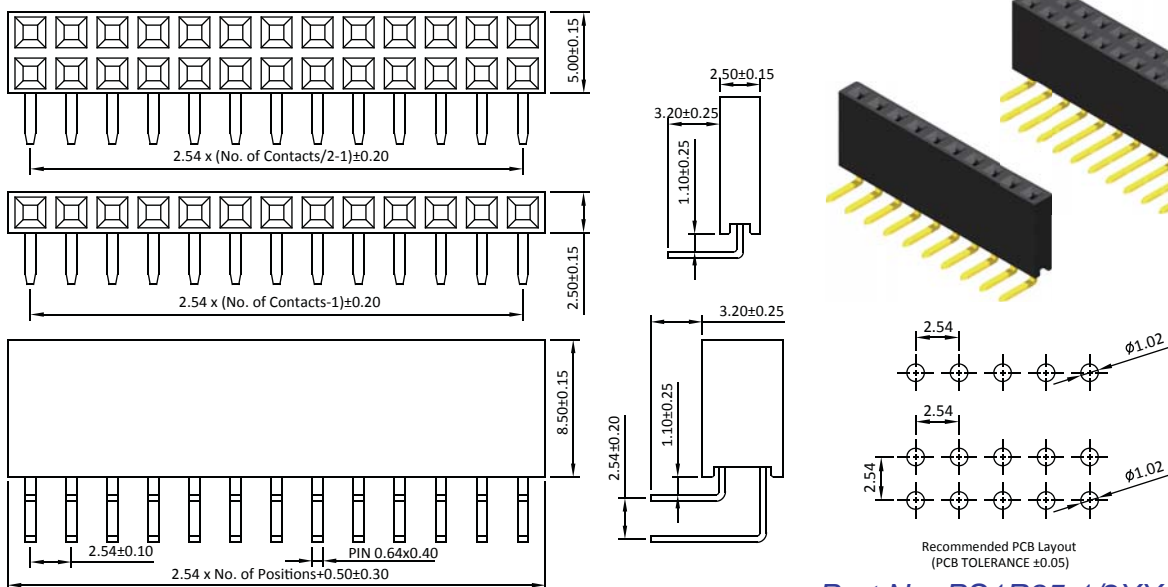


## Female Header 2.54mm 1 & 2 Row H=5.7mm Right Angle Type



Part No.: PS1R57-1/2XX-L/U

## Female Header 2.54mm 1 & 2 Row H=8.5mm Right Angle Type



Part No.: PS1R85-1/2XX-L/U

F

Female Header 2.54mm

Pb

ROHS

AMTEK CONNECTOR MANUFACTURER