



Female Header 2.54mm Straight Type

Specifications

Current Rate: 3AMP

Insulation Resistance: 1000MΩ Min.

Contact Resistance: 20mΩ Max.

Dielectric Voltage: 1000V AC for one minute

Operation Temperature: -40°C to +105°C

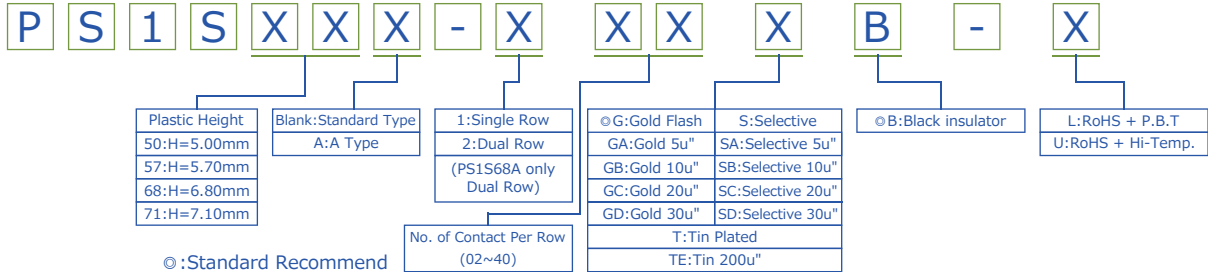
Material

Insulator: P.B.T or Hi-Temp. Thermoplastic, UL 94V-0

Terminal: Copper Alloy

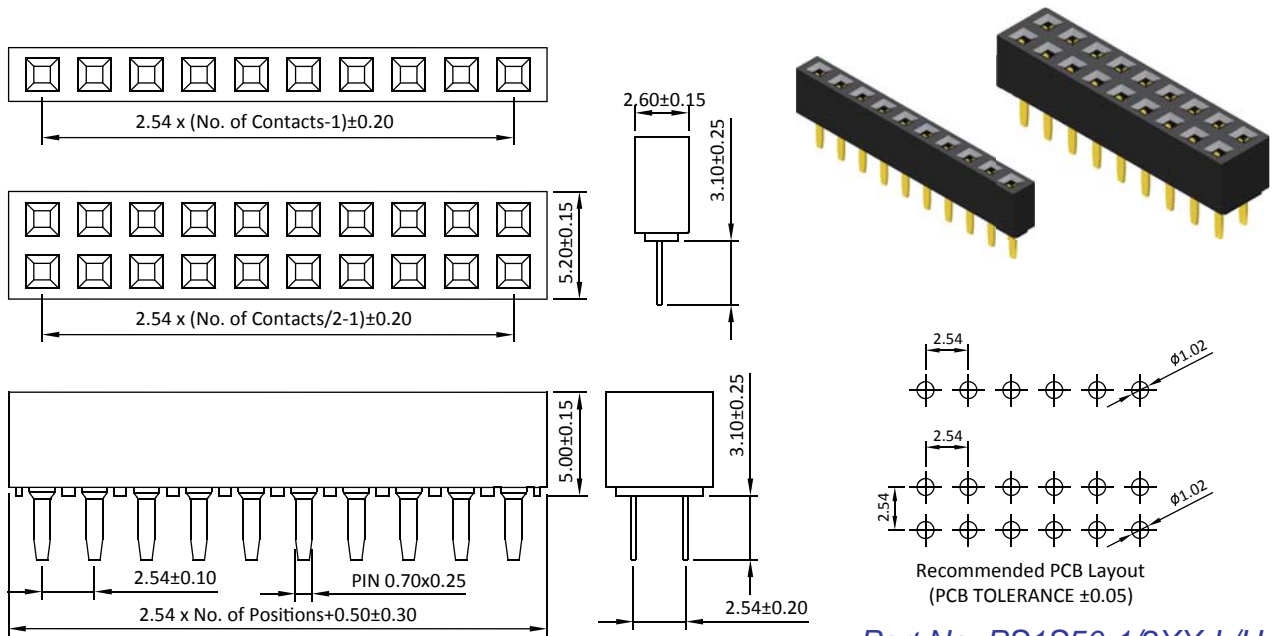
Plating: Gold Plated

ORDER INFORMATION

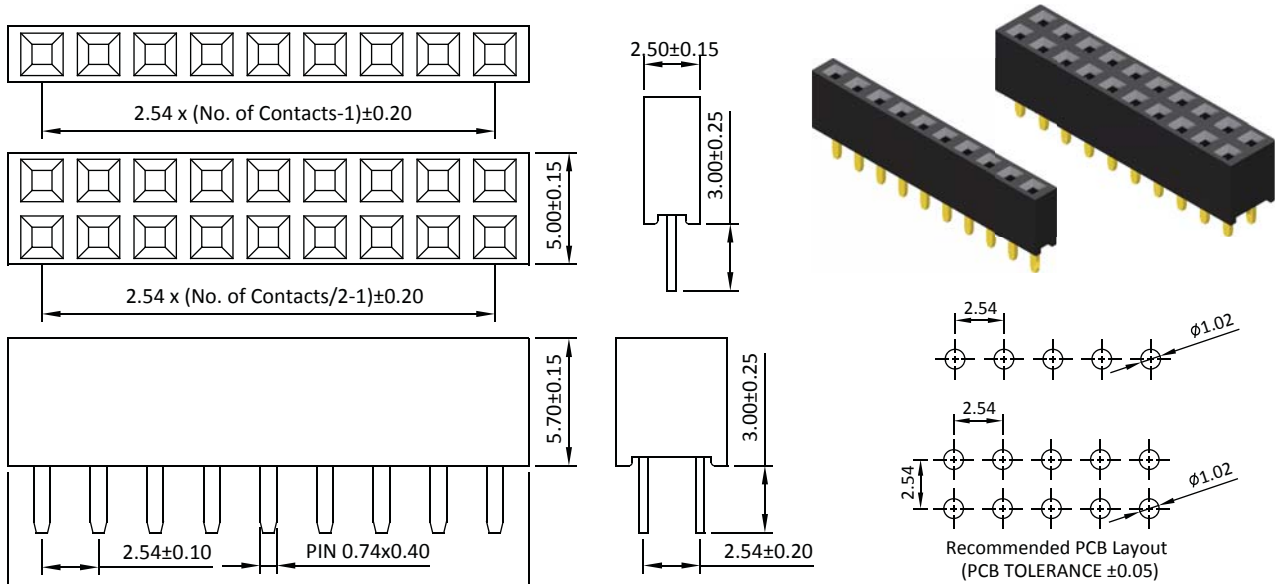


Female Header 2.54mm

Female Header 2.54mm 1 & 2 Row H=5.0mm Straight Type



Female Header 2.54mm 1 & 2 Row H=5.7mm Straight Type



Pb FREE