



Female Header 2.0mm SMT / SMT R/A Type

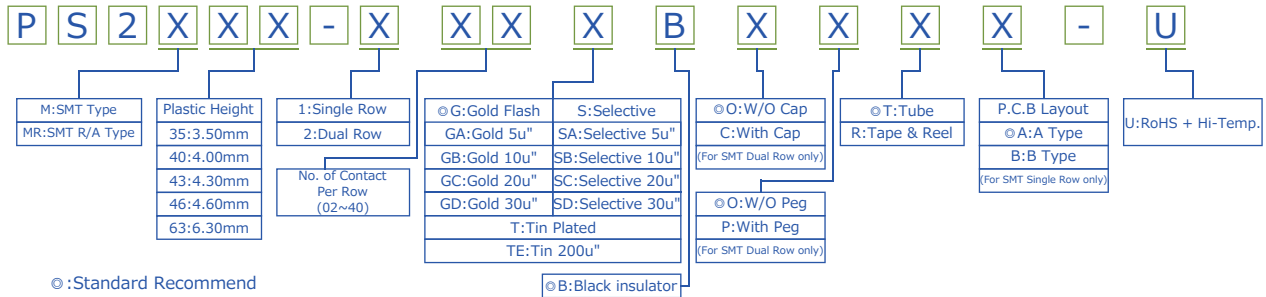
Specifications

Current Rate: 2 AMP
 Insulation Resistance: 1000MΩ Min.
 Contact Resistance: 20mΩ Max.
 Dielectric Voltage: 500V AC for one minute
 Operation Temperature: -40°C to +105°C

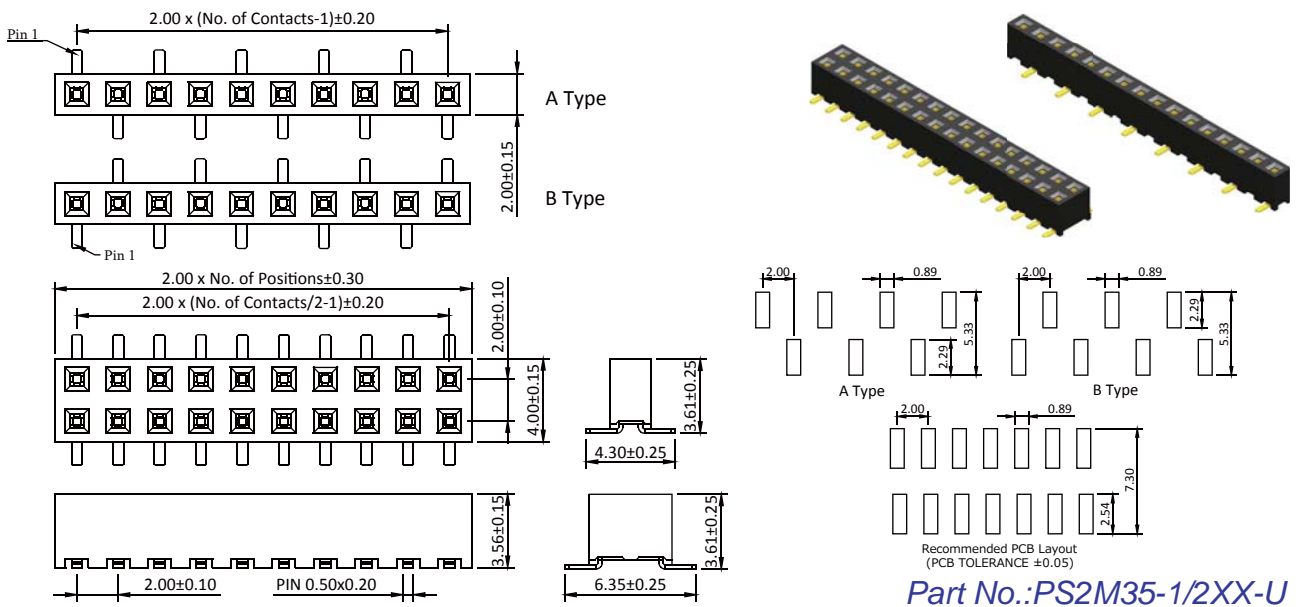
Material

Insulator: Hi-Temp. Thermoplastic, UL 94V-0
 Terminal: Copper Alloy
 Plating: Gold Plated

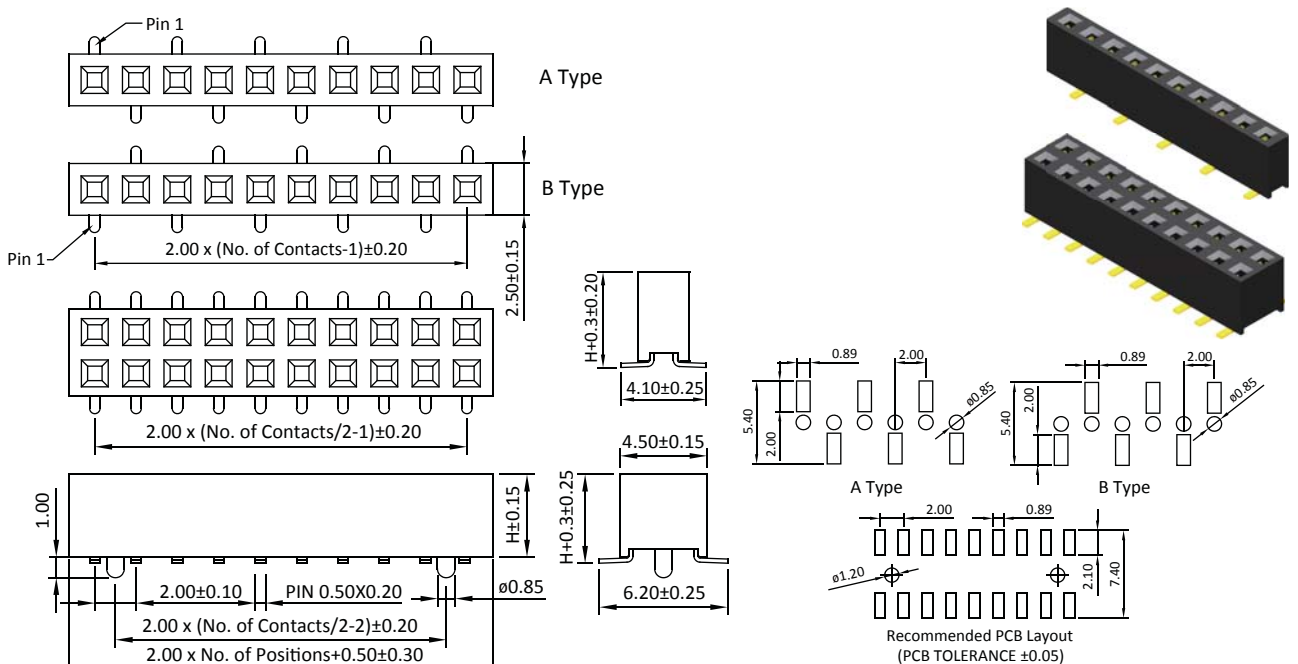
ORDER INFORMATION



Female Header 2.0mm 1 & 2 Row H=3.56mm SMT Type



Female Header 2.0mm 1 & 2 Row H=4.0/4.3/4.6mm SMT Type



Female Header 2.0mm

RoHS

AMTEK CONNECTOR MANUFACTURING