



Opto Plus LED Corp. Touch Button with IC Built in R28LBE B/W

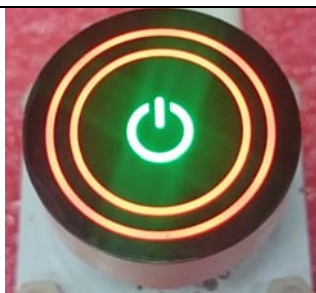
IC FEATURES

1. Capacitor touch switch LED button.
2. Output mode: GPIO
3. Capacitor touch switch cascade.
4. Touch distance 1mm – 5mm (sensitivity adjustable.)
5. Anti-water function
6. Anti-Electro-Magnetic Interference (EMI)
7. Anti-Mobile Electro-Magnetic Interference.
8. Anti-5W Walky-Talky over 2CM.
9. Operating Voltage Range: 2.4V – 5.5V
10. Power Dissipation: 1.8mA – 2.3mA
11. Operating temperature: -30°C to +85°C



Opto Plus LED Corp. Touch Button with IC Built in R28LBE B/W

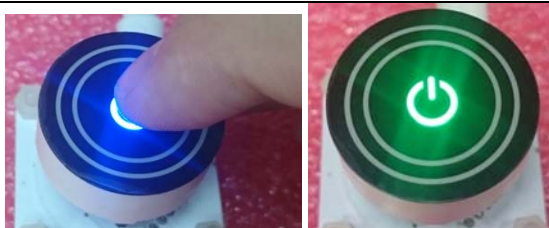
Touch Mode



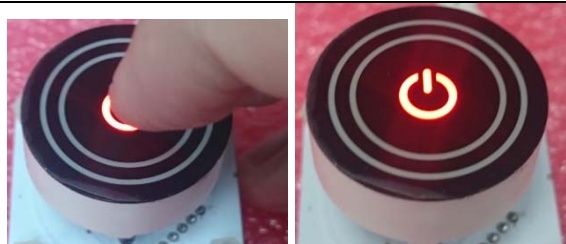
Start Touch Mode - Flash 3 times



Waiting Mode



1st Touch Mode – Pure Green Color



2nd Touch Mode – Red Color



3rd Touch Mode – With 1 circle

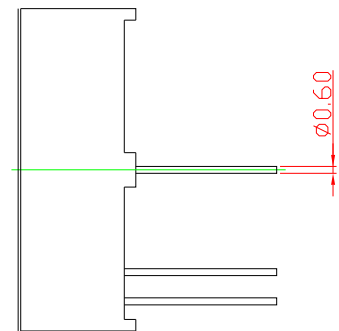
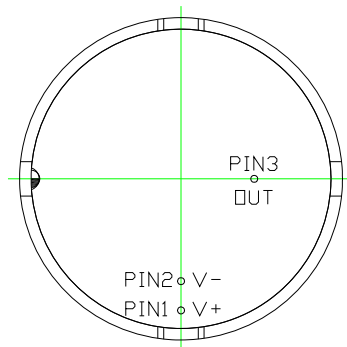
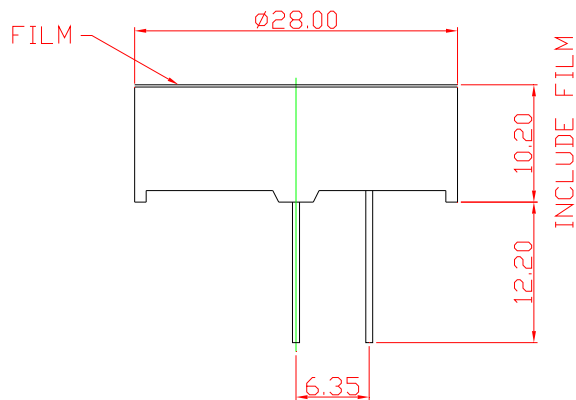
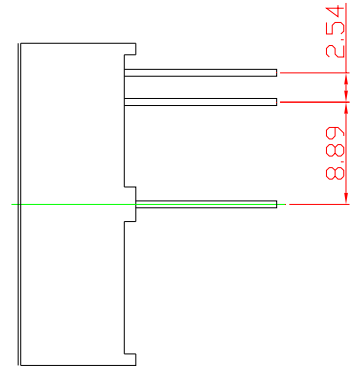
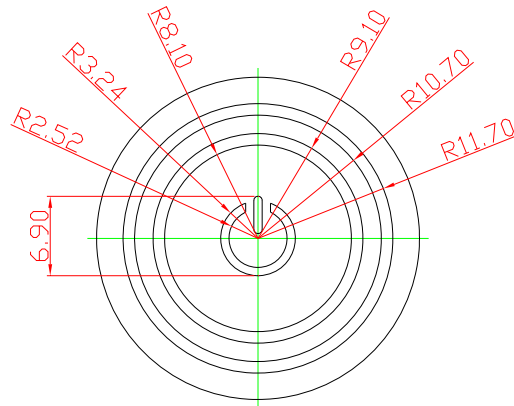
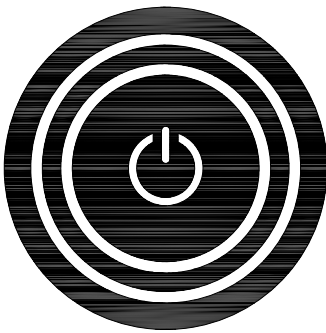


4th Touch Mode – With 2 circle



Opto Plus LED Corp. Touch Button with IC Built in R28LBE B/W

MECHANICAL DIMENSIONS

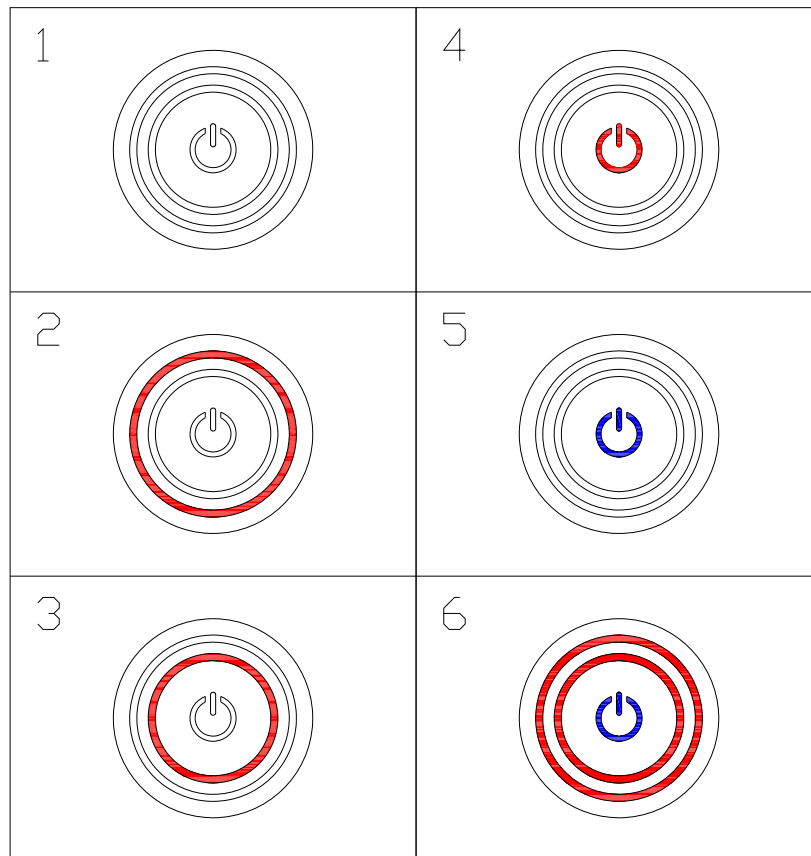




Opto Plus LED Corp. Touch Button with IC Built in R28LBE B/W

RECOMMEND CIRCUIT FOR MULTI-TOUCH IC DESIGN

STATUS



Pin 1: V+

Pin 2: V-

Pin 3: OUT

