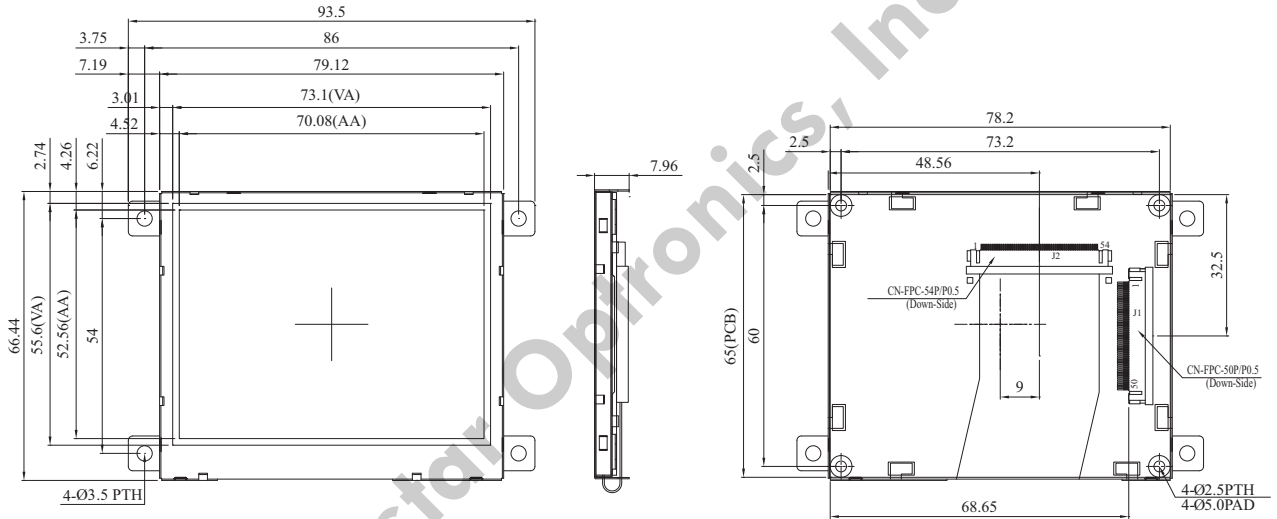


RFC35B/RFC35C TFT 320x240 dots

Dimension drawing



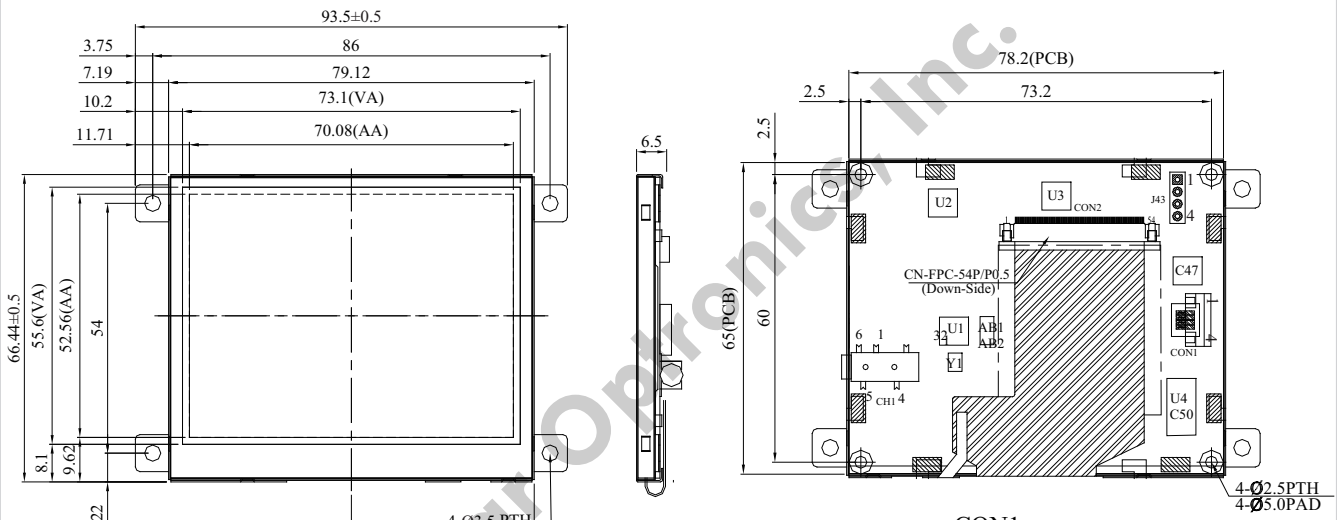
Feature

1. 320*240 dots
2. 3.5 inches
3. Digital interface
4. Option for control board built-in
5. Option for 8 bits & 16 bits

TFT type

RFC350G TFT 320x240 dots

Dimension drawing



Feature

1. 320*240 dots
2. 3.5 inches
3. Digital interface
4. Option for control board built-in
5. Option for 8 bits & 16 bits

CON1

PIN NO.	SYMBOL
1	VCC
2	DGND
3	BLE
4	GP10