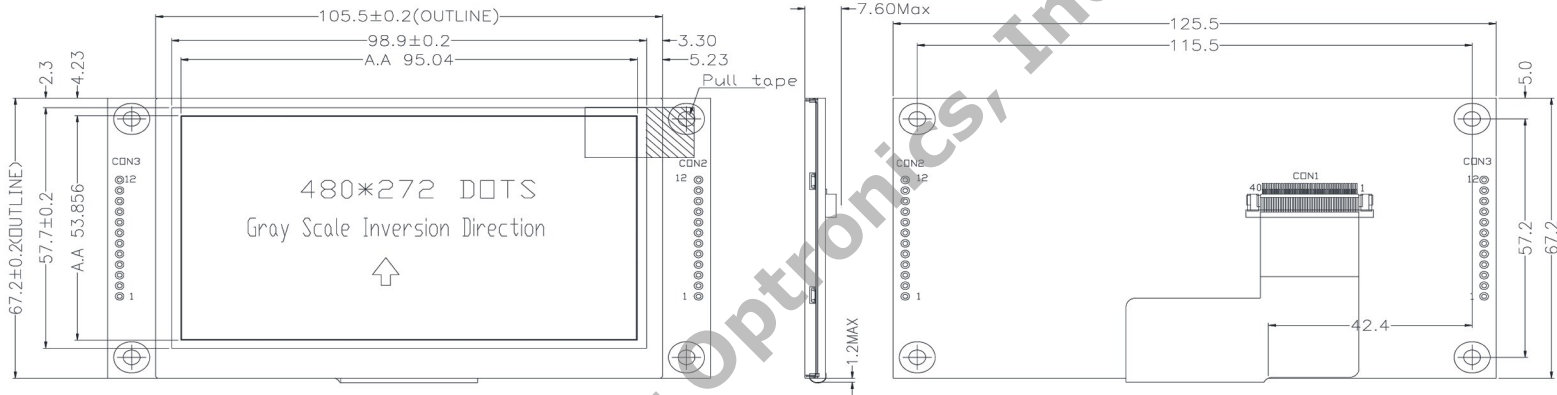


RFC430M TFT 480x272 dots



CON2		CON3	
PIN	SYMBOL	PIN	SYMBOL
1	GND	1	GND
2	TX	2	SW1
3	RX	3	SW2
4	VBUS	4	SW3
5	D+	5	SW4
6	D-	6	GND
7	GND	7	SDI
8	RST	8	SDO
9	GND	9	SCK
10	PWM	10	SCS
11	GND	11	SPI_INT
12	VBUS	12	VBUS

The non-specified tolerance of dimension is ± 0.3 mm.