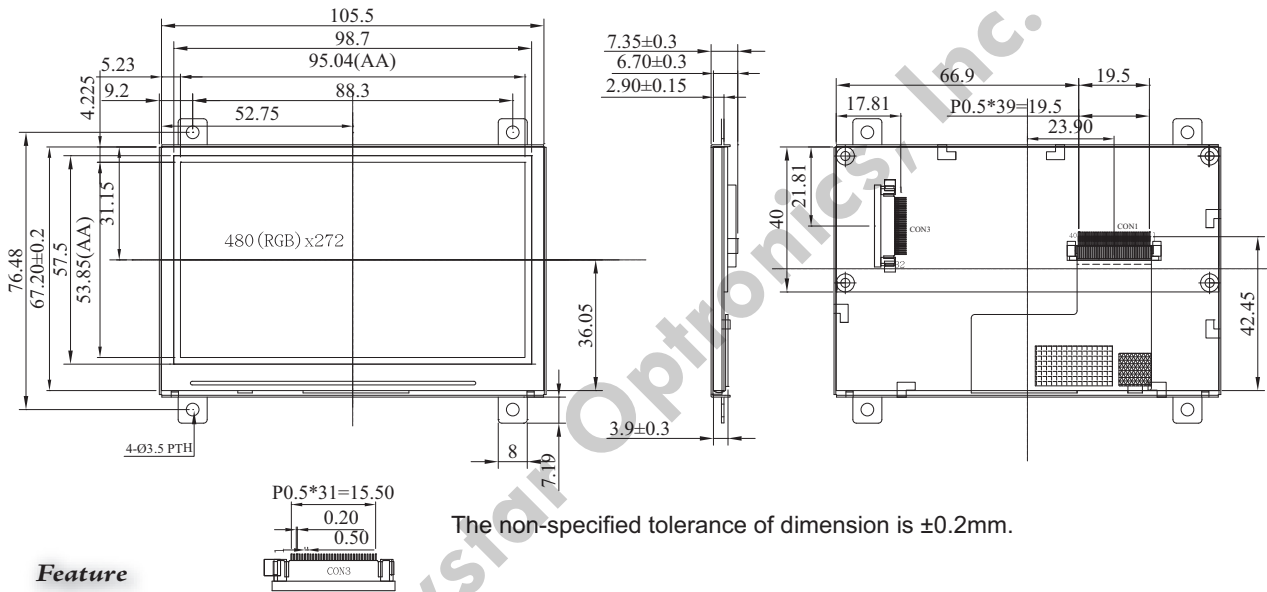


**RFE430C TFT 480x272 dots**

**Dimension drawing**

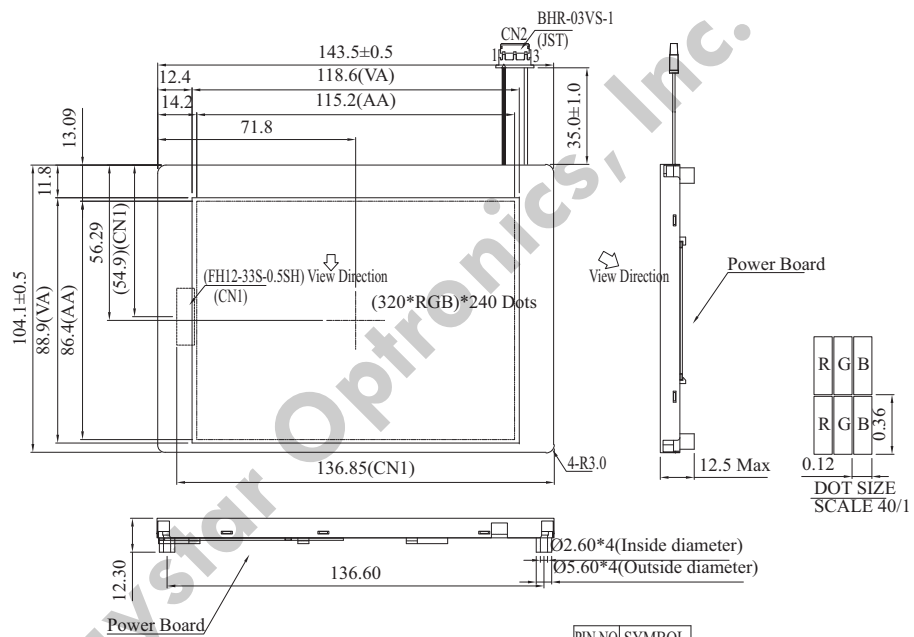


**Feature**

1. 480\*272 dots
2. 4.3 inches
3. Digital interface
4. Option for control board built-in
5. Option for 8 bits & 16 bits

TFT type

**RFC570 TFT 320x240 dots**



**Feature**

1. 320\*240 dots
2. 5.7 inches
3. Digital interface
4. Same mechanical as Sharp(LQ057Q3DC12)
5. with power board
6. 12:00 view angle only

PIN NO	SYMBOL
1	A
2	NC
3	K

CN2