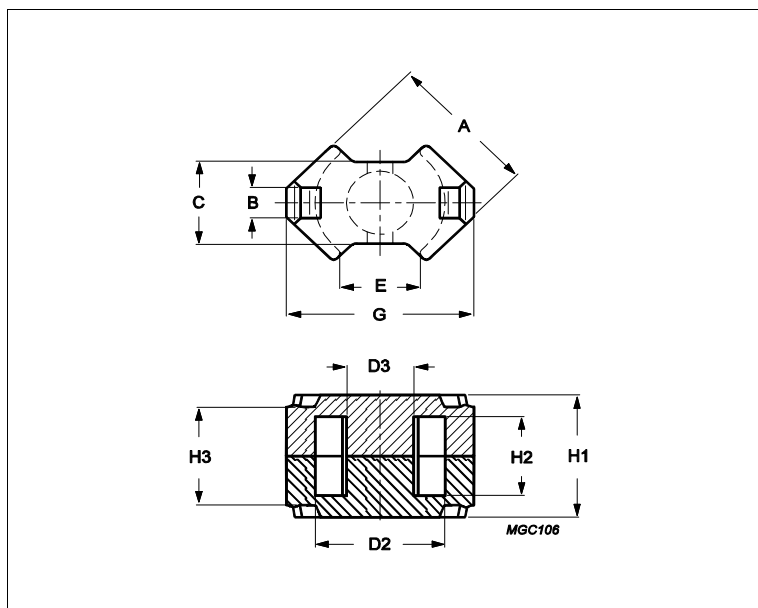


Core **RM14/I**



Effective parameters			
	Parameter	Value	Unit
$\Sigma(I/A)$	core factor (C1)	0.353	mm ⁻¹
Ve	effective volume	13900	mm ³
Le	effective length	70	mm
Ae	effective area	198	mm ²
Amin	minimum area	168	mm ²
m	RM14/I	≈ 69	g/set

Dimensions for product: RM14/I

	Nom	Tol +	Tol -	Max	Min	Unit
A	34.70	0.00	1.20	34.70	33.50	mm
B	5.60			5.60	5.60	mm
C	19.00	0.00	0.60	19.00	18.40	mm
D2	29.00	1.20	0.00	30.20	29.00	mm
D3	15.00	0.00	0.60	15.00	14.40	mm
E					17.00	mm
G	42.20	0.00	1.40	42.20	40.80	mm
H1	30.10	0.10	0.10	30.20	30.00	mm
H2	20.80	0.60	0.00	21.40	20.80	mm
H3	27.00	0.25	0.25	27.25	26.75	mm

Inductance factor

Material	Value	Tol +	Tol -	Unit
3C94	6600	25%	25%	nH/turns ²
3C95	8130	25%	25%	nH/turns ²
3C96	5700	25%	25%	nH/turns ²
3C97	8130	25%	25%	nH/turns ²
3F36	4000	25%	25%	nH/turns ²
3F4	2900	25%	25%	nH/turns ²

Power loss: 3C94

Measuring conditions			Max	Unit
100 kHz	200 mT	100 °C	6.900	W/set

Core **RM14/I**

Power loss: 3C95				
Measuring conditions			Max	Unit
100 kHz	200 mT	100 °C	6.700	W/set
100 kHz	200 mT	25 °C	7.200	W/set
Power loss: 3C96				
Measuring conditions			Max	Unit
100 kHz	200 mT	100 °C	6.300	W/set
400 kHz	50 mT	100 °C	2.800	W/set
Power loss: 3C97				
Measuring conditions			Max	Unit
100 kHz	200 mT	60 °C	6.900	W/set
100 kHz	200 mT	120 °C	6.700	W/set
100 kHz	200 mT	140 °C	8.300	W/set
Power loss: 3F36				
Measuring conditions			Max	Unit
500 kHz	50 mT	100 °C	2.200	W/set
500 kHz	100 mT	100 °C	16.000	W/set
Power loss: 3F4				
Measuring conditions			Max	Unit
1000 kHz	30 mT	100 °C	4.400	W/set
3000 kHz	10 mT	100 °C	6.900	W/set

Bsat					
Measuring conditions			Material	Min	Unit
25 kHz	250 A/m	100 °C	3C94	320	mT
25 kHz	250 A/m	100 °C	3C95	330	mT
25 kHz	250 A/m	100 °C	3C96	340	mT
25 kHz	250 A/m	100 °C	3C97	330	mT
25 kHz	250 A/m	100 °C	3F36	340	mT
25 kHz	250 A/m	100 °C	3F4	330	mT

Accessories		
Ordering name	Description	Ordering code
CLI/P-RM14/I	Clip, with ground pin	432202134921
CPV-RM14/I-1S-12PD	Coil former, termoplastic, vertical	432202134072
CPV-RM14/I-1S-12PD-TZ	Coil former, termoplastic, vertical	432202106681
CSV-RM14-1S-10P-C	Coil former, termoset, vertical	432202107071
CSV-RM14-1S-12P-C	Coil former, termoset, vertical	432202107081