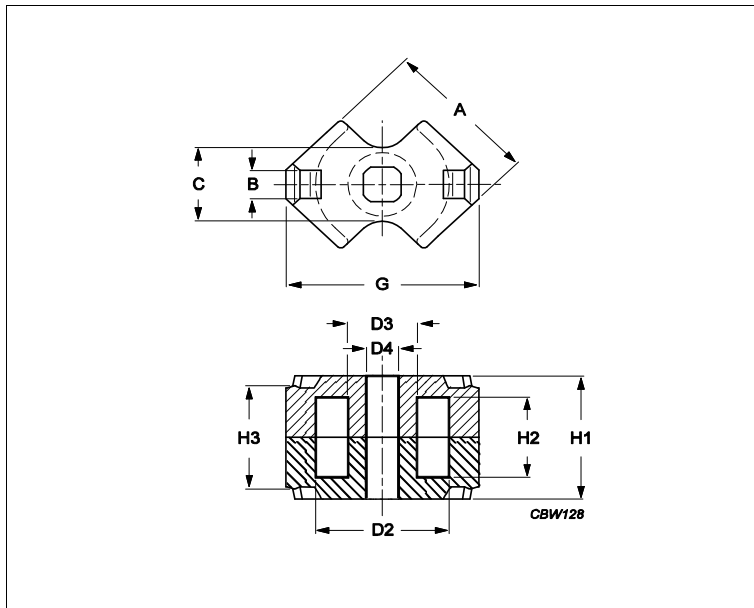


Core **RM6R**



Effective parameters			
	Parameter	Value	Unit
$\Sigma(I/A)$	core factor (C1)	0.81	mm ⁻¹
Ve	effective volume	810	mm ³
Le	effective length	25.6	mm
Ae	effective area	32	mm ²
Amin	minimum area	23.8	mm ²
m	RM6R	≈ 4.5	g/set

Dimensions for product: RM6R						
	Nom	Tol +	Tol -	Max	Min	Unit
A	14.70	0.00	0.60	14.70	14.10	mm
B	2.90			2.90	2.90	mm
C	7.40	0.00	0.40	7.40	7.00	mm
D2	12.40	0.50	0.00	12.90	12.40	mm
D3	6.40	0.00	0.20	6.40	6.20	mm
D4	3.00	0.10	0.00	3.10	3.00	mm
G	17.90	0.00	0.70	17.90	17.20	mm
H1	12.40	0.10	0.10	12.50	12.30	mm
H2	8.00	0.40	0.00	8.40	8.00	mm
H3	10.35	0.20	0.20	10.55	10.15	mm

Inductance factor				
Material	Value	Tol +	Tol -	Unit
3D3	1000	25%	25%	nH/turns ²
3H3	2200	25%	25%	nH/turns ²

Accessories		
Ordering name	Description	Ordering code
CLI/P-RM6	Clip, with ground pin	432202131787
CSV-RM6R-1S-6P-IZ-C	Coil former, termostet, vertical	432202107211

Core RM6R

CSV-RM6R-2S-6P	Coil former, termoset, vertical	432202134561
CSV-RM6R-2S-6P-IZ	Coil former, termoset, vertical	432202106921
CSV-RM6S/R-1S-4P-IZ	Coil former, termoset, vertical	432202106891
CSV-RM6S/R-2S-4P-IZ	Coil former, termoset, vertical	432202106901

www.signal.com.tr