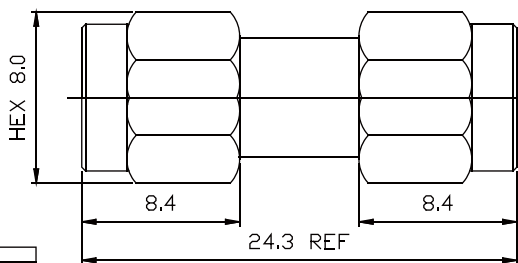


SMA Conn. Series

6	GASKET	RUBBER	RED	2
5	RETAINING RING	BRASS	NICKEL	2
4	SHELL	BRASS	NICKEL	2
3	DIELECTRIC	TEFLON		2
2	PIN	BRASS	GOLD	1
1	BODY	BRASS	NICKEL	1
NO	DESCRIPTION	MATERIAL	FINISH	QTY

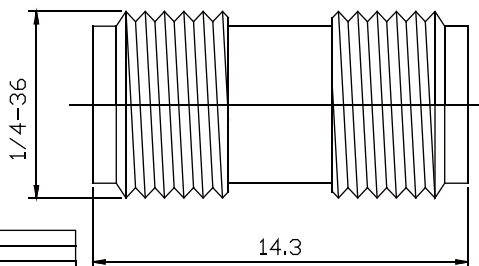
IMPEDANCE	50/75 OHM
FREQUENCY	0-12 GHz
DIELECTRIC WITHSTANDING VOLTAGE 50 Hz RMS	1000V
WORKING VOLTAGE DC	500V
INSULATION RESISTANCE	5000 MEGOHMS MIN
CONTACT RESISTANCE	INNER CONDUCTOR ≤ 3 MILLIOHMS OUTER CONDUCTOR ≤ 0.5 MILLIOHMS
INSERTION LOSS (dB MAX.)	STRAIGHT CONNECTOR .15 dB MAX. AT 1.0GHz RIGHT ANGLE CONNECTOR .30 dB MAX. AT 1.0GHz



Part No.:SMA004-M GW-L
5:50 Ω 7:75 Ω

3	DIELECTRIC	TEFLON		1
2	PIN	BRASS	GOLD	1
1	BODY	BRASS	GOLD	1
NO	DESCRIPTION	MATERIAL	FINISH	QTY

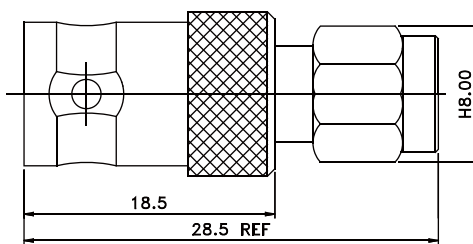
IMPEDANCE	50/75 OHM
FREQUENCY	0-12 GHz
DIELECTRIC WITHSTANDING VOLTAGE 50 Hz RMS	1000V
WORKING VOLTAGE DC	500V
INSULATION RESISTANCE	5000 MEGOHMS MIN
CONTACT RESISTANCE	INNER CONDUCTOR ≤ 3 MILLIOHMS OUTER CONDUCTOR ≤ 0.5 MILLIOHMS
INSERTION LOSS (dB MAX.)	STRAIGHT CONNECTOR .15 dB MAX. AT 1.0GHz RIGHT ANGLE CONNECTOR .30 dB MAX. AT 1.0GHz



Part No.:SMA005-F GW-L
5:50 Ω 7:75 Ω

6	NUT	BRASS	NICKEL	1
5	INSULATOR	DELFIN		1
4	INSULATOR	DELFIN		1
3	PIN	BRASS	GOLD	1
2	BODY	ZINC	NICKEL	1
1	BODY	BRASS	NICKEL	1
NO	DESCRIPTION	MATERIAL	FINISH	QTY

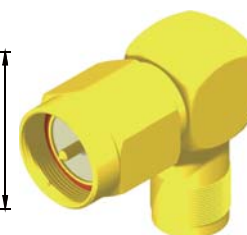
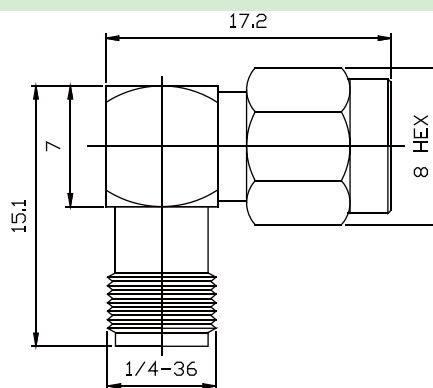
IMPEDANCE	50/75 OHM
FREQUENCY	0-12 GHz
DIELECTRIC WITHSTANDING VOLTAGE 50 Hz RMS	1000V
WORKING VOLTAGE DC	500V
INSULATION RESISTANCE	5000 MEGOHMS MIN
CONTACT RESISTANCE	INNER CONDUCTOR ≤ 3 MILLIOHMS OUTER CONDUCTOR ≤ 0.5 MILLIOHMS
INSERTION LOSS (dB MAX.)	STRAIGHT CONNECTOR .15 dB MAX. AT 1.0GHz RIGHT ANGLE CONNECTOR .30 dB MAX. AT 1.0GHz



Part No.:SMA006-M GW-L
5:50 Ω 7:75 Ω

8	SHELL	BRASS	GOLD	1
7	GASKET	BRASS		1
6	RETAINING RING	BRASS	GOLD	1
5	DIELECTRIC	TEFLON		1
4	DIELECTRIC	TEFLON		1
3	PIN	BRASS	GOLD	1
2	BODY	BRASS	GOLD	1
1	BODY	BRASS	GOLD	1
NO	DESCRIPTION	MATERIAL	FINISH	QTY

IMPEDANCE	50/75 OHM
FREQUENCY	0-12 GHz
DIELECTRIC WITHSTANDING VOLTAGE 50 Hz RMS	1000V
WORKING VOLTAGE DC	500V
INSULATION RESISTANCE	5000 MEGOHMS MIN
CONTACT RESISTANCE	INNER CONDUCTOR ≤ 3 MILLIOHMS OUTER CONDUCTOR ≤ 0.5 MILLIOHMS
INSERTION LOSS (dB MAX.)	STRAIGHT CONNECTOR .15 dB MAX. AT 1.0GHz RIGHT ANGLE CONNECTOR .30 dB MAX. AT 1.0GHz



Part No.:SMA007-M GW-L
5:50 Ω 7:75 Ω